



M12 BDC6

SERVICE PARTS DIAGRAM

TTI Model Number: 018 167 008, 010

M12™ DRAIN CLEANER (6MM CABLE)

Bulletin Date:

May-20

Starting Serial Number:

VERSION A - L2016

EXAMPLE:
Component Parts (Small #) Are Included
When Ordering The Assembly (Large #).

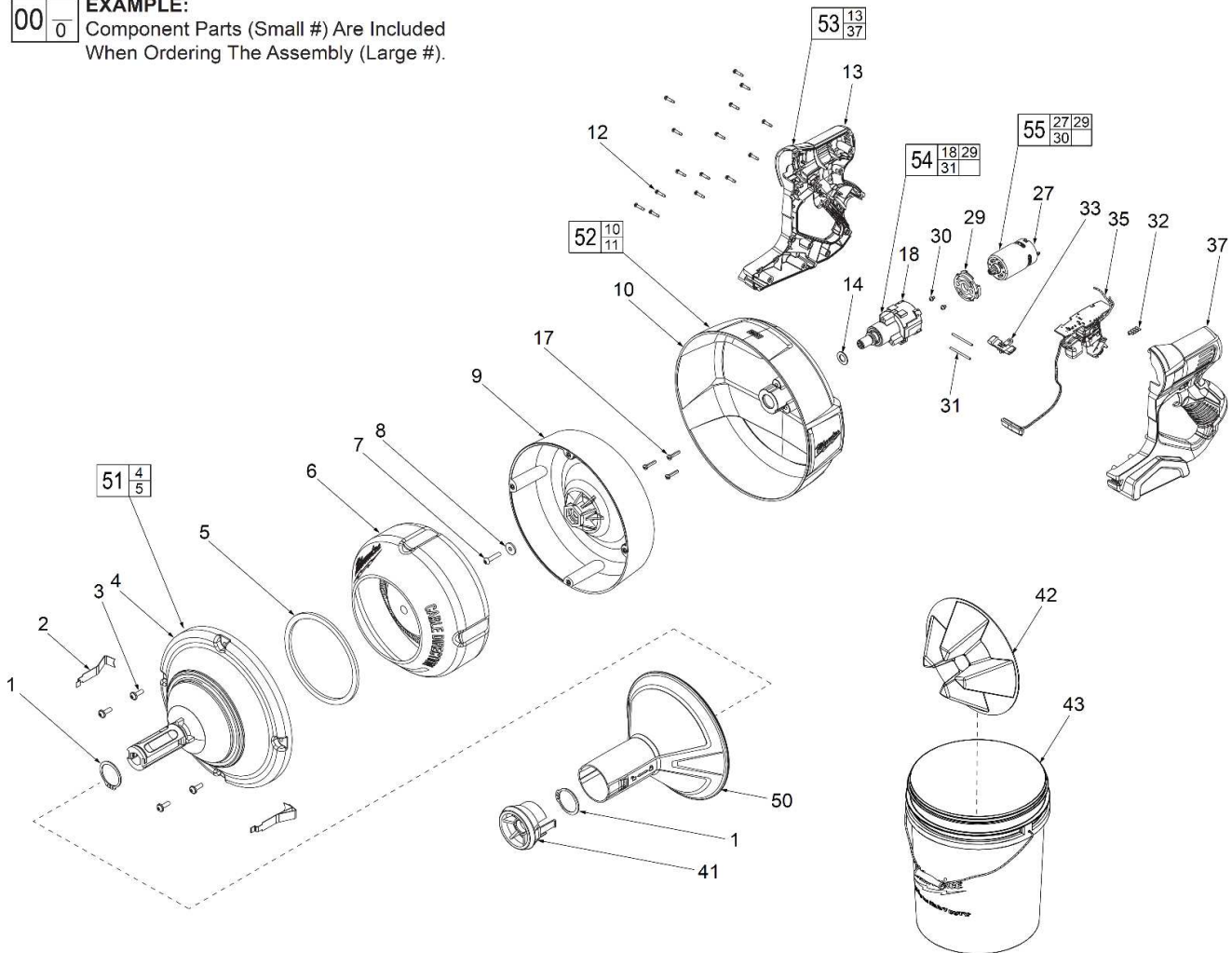


FIG. NOTES

- 5 The gasket comes as a strip and has to be formed into the circle configuration.
- 6 The cable is under pressure and can uncoil unexpectedly. Keep pressure on the cable when removing the drum cover.
- 9 To remove the drum support, insert a T-40 screwdriver into the support shaft. Spin the drum support while holding the support shaft stationary.
- 35 For ease of installing electronics, place blocks of wood under the handle to support the tool.
- 54 The motor mount (29) comes with the assembly to hold the parts together. It can be discarded if a new mount is not needed.



M12 BDC6

SERVICE PARTS LIST

TTI Model Number: 018 167 008, 010

M12™ DRAIN CLEANER (6MM CABLE)

Bulletin Date:

May-20

Starting Serial Number:

VERSION A - L2016

ITEM	PART NUMBER	PART DESCRIPTION	QTY (PCS)
1	695085001	RETAINING RING	2
2	636905001	SPRING PLATE	2
3	662376001	M5 X 0.8 PAN HD. PHILIPS SCREW	4
4	529523001	DRUM COVER	1
5	563979001	FOAM GASKET	1
6	580258001	INNER DRUM	1
7	662375001	M5 X 0.8 PAN HD. T-25 SCREW (LEFT HAND)	1
8	637088001	WASHER	1
9	529524001	DRUM SUPPORT	1
10	351055001	DRUM SHROUD	1
11	941048101	RATING LABEL (NOT SHOWN)	1
12	660570005	M3 X 14 ST HOUSING SCREW	15
13	-	RIGHT HANDLE	1
14	636952001	WASHER	1
17	661005001	6-19 X .687 PAN HD. SLT. PLAST. T-15 SCREW	3
18	529529001	GEAR CASE ASSY.	1
27	741115012	MOTOR	1
29	516377001	MOTOR MOUNT PLATE	1
30	662308001	M3 X 0.5 T-10 SCREW	2
31	680334029	M2.5 X 37MM STEEL PIN	2
32	591489001	FUEL GAUGE LENS	1
33	529527001	FORWARD/REVERSE/LOCK OFF SHUTTLE	1
35	280197029	ELECTRONICS ASSEMBLY	1
37	-	LEFT HANDLE WITH FUEL GAUGE LABEL	1
50	529522001	FRONT HANDLE ASSEMBLY WITH BUSHING AND RETAINING RINGS	1
41	529521001	PLASTIC,FRONT HANDLE COVER	1
42	903173001	TRAY, CLAM SHELL	1
43	312293001	5 GALLON PLASTIC BUCKET & HANDLE ASSEMBLY	1
51	203990001	DRUM COVER ASSEMBLY	1
52	203991002	DRUM SHROUD ASSEMBLY	1
53	203992001	HANDLE ASSEMBLY	1
54	208093001	GEAR TRAIN ASSEMBLY WITH PACKING	1
55	208147001	MOTOR ASSEMBLY WITH BRACKET	1