



M12 CCS44

SERVICE PARTS DIAGRAM

TTI Model Number: 018 123 009

M12 FUEL™ COMPACT CIRCULAR SAW

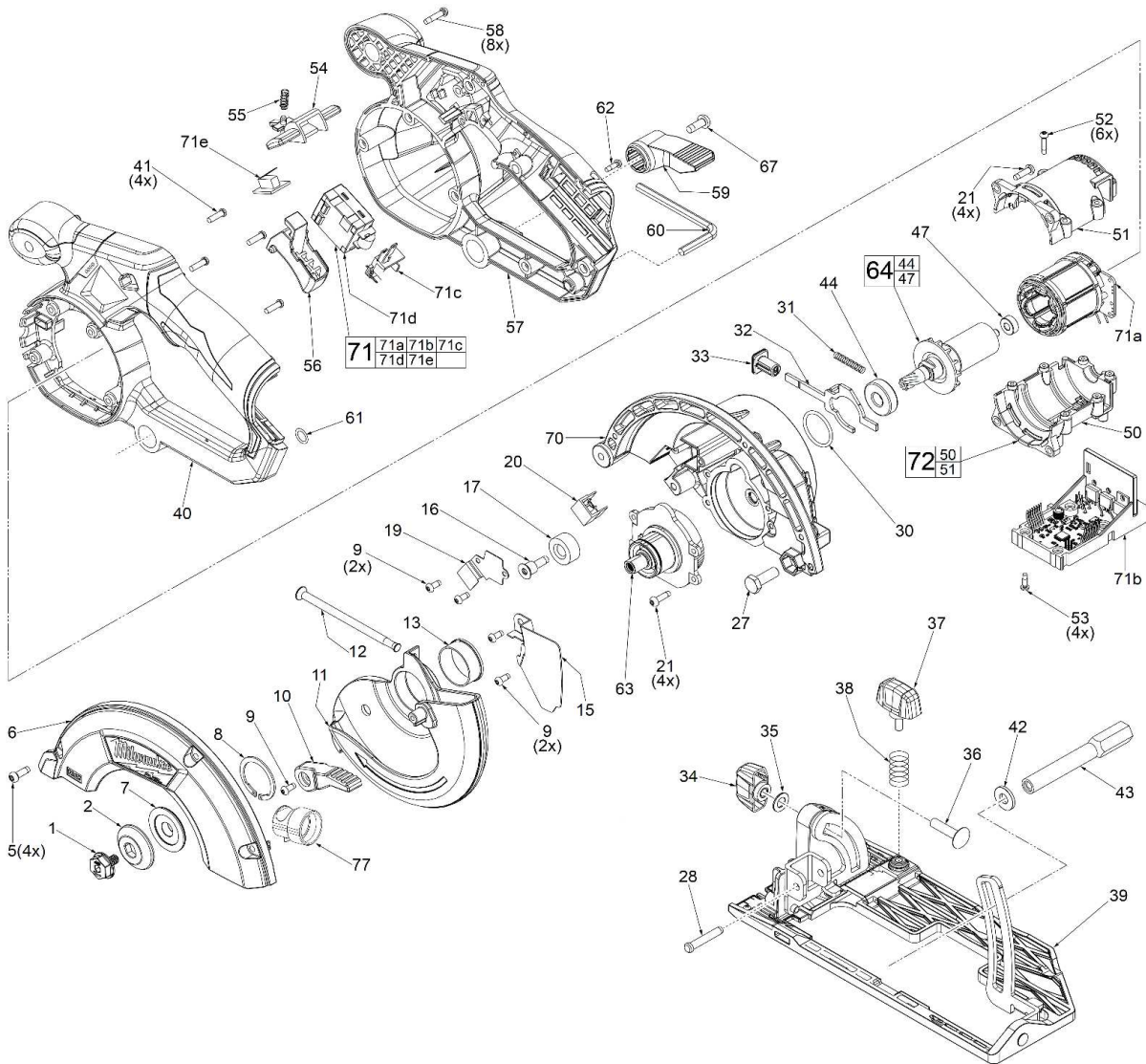
Bulletin Date:

Mar-20

Starting Serial Number:

VERSION A - C2016

00 **0** **EXAMPLE:**
Component Parts (Small #)
Are Included When Ordering
The Assembly (Large #).





M12 CCS44

SERVICE PARTS LIST

TTI Model Number: 018 123 009

M12 FUEL™ COMPACT CIRCULAR SAW

Bulletin Date:

Mar-20

Starting Serial Number:

VERSION A - C2016

ITEM	PART NUMBER	PART DESCRIPTION	QTY (PCS)
1	662070001	BLADE SCREW	1
2	694166001	OUTER FLANGE	1
5	660165011	M4.0 X 12MM SCREW	4
6	203335002	UPPER GUARD COVER ASSEMBLY	1
7	694165001	INNER FLANGE	1
8	694800001	RETAINING RING	1
9	661268001	M3.5 X 8MM SCREW	5
10	527731001	LOWER GUARD LEVER	1
11	642342001	LOWER GUARD	1
12	692687001	SPRING	1
13	527730001	LOWER GUARD SLEEVE	1
15	635421001	RETAINING PLATE	1
16	691251001	BUMPER SCREW	1
17	561506002	RUBBER BUMPER	1
19	636061001	LED COVER	1
20	290804081	LED ASSEMBLY	1
21	660996001	M3 X 12MM SCREW	8
27	660987002	1/4-20 X 3/4" LEFT HAND SCREW	1
28	621710001	PIVOT PIN	1
30	562590001	O-RING	1
31	694153001	SPRING	1
32	635418001	SPINDLE LOCK PLATE	1
33	521899001	SPINDLE LOCK BUTTON	1
34	525819002	BEVEL ADJUSTMENT KNOB	1
35	631891001	WASHER	1
36	662118001	M6 X 25MM CARRIAGE BOLT	1
37	525819001	RIP FENCE KNOB	1
38	672206001	SPRING	1
39	203366001	SHOE ASSEMBLY	1
40	203336001	HOUSING SUPPORT ASSEMBLY CONSISTS OF: LEFT HOUSING HALVE, FUEL GAUGE AND FUEL GAUGE LABEL	1
41	660320008	M3.5 X 12MM SCREW	4
42	691254001	WASHER	1
43	693678001	DEPTH SHAFT	1
44	681454001	BALL BEARING	1
47	681262001	BALL BEARING	1
50	-	MOTOR HOUSING - BOTTOM	1



M12 CCS44

SERVICE PARTS LIST

TTI Model Number: 018 123 009

M12 FUEL™ COMPACT CIRCULAR SAW

Bulletin Date:

Mar-20

Starting Serial Number:

VERSION A - C2016

ITEM	PART NUMBER	PART DESCRIPTION	QTY (PCS)
51	-	MOTOR HOUSING - TOP	1
52	660230009	M3.0 X 20MM SCREW	6
53	660230016	M3.0 X 12MM SCREW	4
54	527725001	SWITCH LOCK OUT BUTTON	1
55	672029001	SPRING	1
56	527724001	SWITCH TRIGGER	1
57	350726003	HOUSING COVER - RIGHT	1
58	660031017	M3.5 X 16MM SCREW	8
59	525816001	DEPTH LEVER	1
60	691255005	3/16" HEX KEY	1
61	561529001	O-RING	1
62	662216001	M3.0 X 12MM SCREW	1
63	203371001	SPINDLE HUB ASSEMBLY	1
64	203374001	ROTOR ASSEMBLY	1
67	660997001	10-24 X 1/2" SCREW	1
70	203329002	UPPER GUARD GEARCASE ASSEMBLY WITH NEEDLE BEARING	1
71	203376001	STATOR / ELECTRONICS ASSEMBLY	1
71a	-	STATOR	1
71b	-	PCBA	1
71c	-	BATTERY CONNECTOR BLOCK	1
71d	-	SWITCH	1
71e	-	MICRO SWITCH	1
72	203375001	MOTOR HOUSING ASSEMBLY	1
73	941046984	SERVICE NAMEPLATE	1
74	910379596	GIFT BOX	1
75	203330001	RIP FENCE (NOT SHOWN)	1
77	527735001	PLASTIC DUST CHUTE	1
1200	-	TYPE Y GREASE	1



M12 CCS44

SERVICE INSTRUCTION

TTI Model Number: 018 123 009

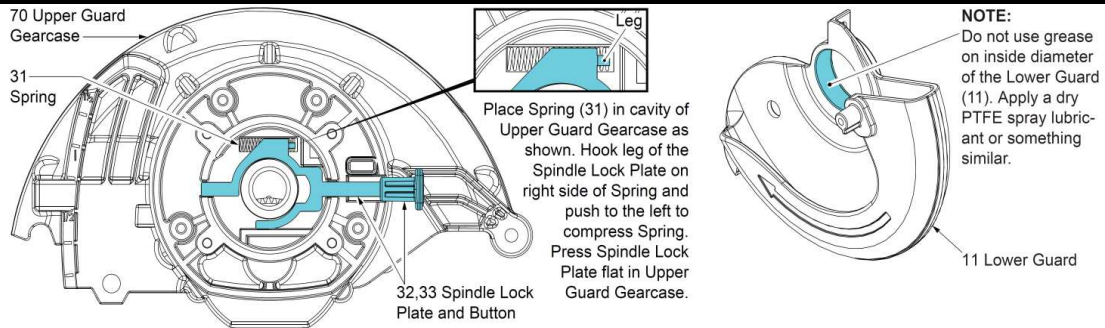
M12 FUEL™ COMPACT CIRCULAR SAW

Bulletin Date:

Mar-20

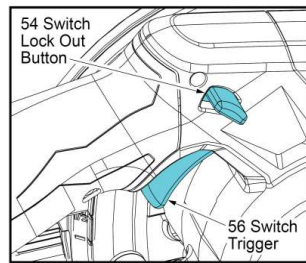
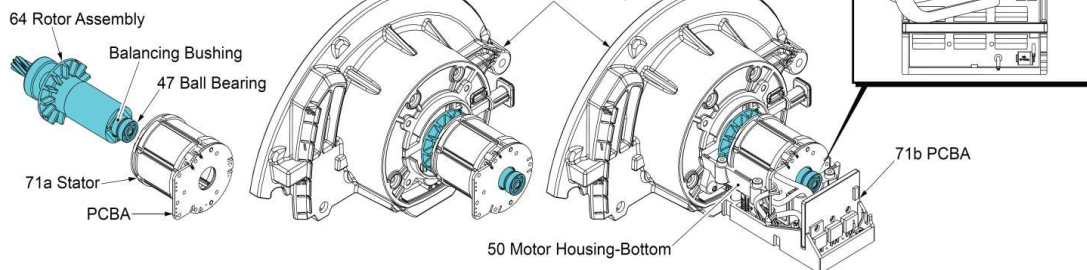
Starting Serial Number:

VERSION A - C2016



IMPORTANT:

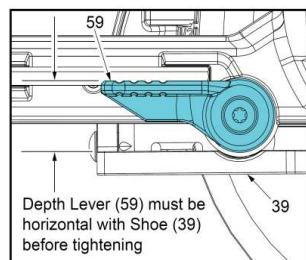
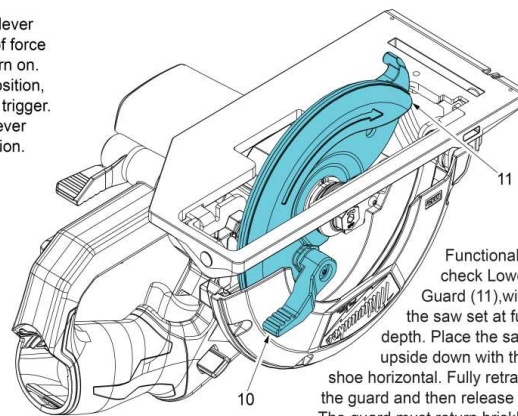
- **Strong magnetic force.** Care must be taken when installing the Rotor (64) into the Stator Assembly (71a). Do not allow rotor bearing or balancing bushing to hit PCBA on back end of stator, this could cause damage to PCBA.
- Insert the rotor/stator assembly into pinion bore of the Upper Guard Gearcase Assembly (70). Carefully wiggle and push the rotor/stator until the ball bearing in front of the fan is fully seated in the bearing bore of gearcase.
NOTE: As an aid to installation, apply a light film of lubricant to the bearing bore of gearcase before assembling the rotor/stator.
- Place the Bottom and Top Motor Insulators (50,51) in place around the rotor/stator assembly. Secure the halves with six Screws (52, not shown). A light tapping on the back of the assembled insulator halves may be necessary to completely seat the insulator halves onto the upper guard gearcase. Fasten the insulator halves to the gearcase with four Screws (9, not shown). When tightening, alternate screws to assure square, even pressure.



Functionally check Switch Lock-Out (54) by attempting to turn on tool by applying a reasonable amount of force, up to 8 lbs., to switch trigger (56). The tool must not turn on.

Release trigger. Actuate lock-out lever and apply a reasonable amount of force to switch trigger. The tool must turn on. While trigger is still in the "ON" position, release the lock-out. Release the trigger. The tool must stop and lock-out lever must again prevent Switch actuation.

Repeat the switch check two more times.





M12 CCS44

SERVICE INSTRUCTION

TTI Model Number: 018 069 020, 021, 023

M12 FUEL™ COMPACT CIRCULAR SAW

Bulletin Date:

Mar-20

Starting Serial Number:

VERSION A - C2016

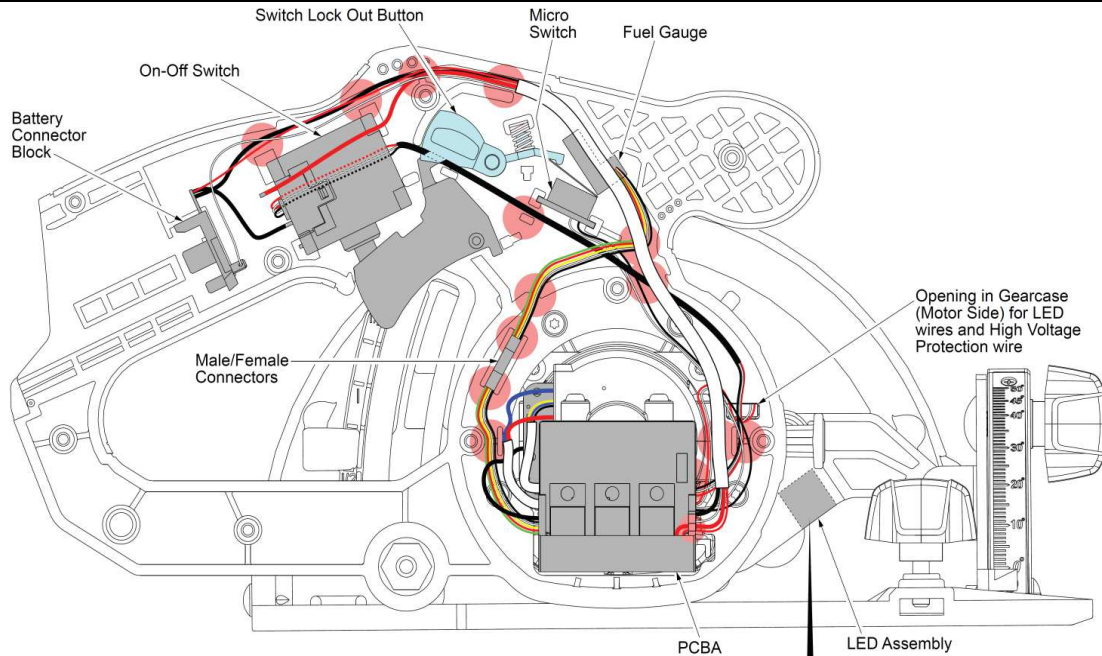


Figure 1:
Route female terminal through opening in gearcase. Place red and white wires in trap on motor side and pull taut from blade side.

Figure 2:
Connect the female terminal of PCBA to the male terminal of the LED Assembly (20).

Figure 3:
Place LED into slotted cavity of gearcase. Place connected terminals and excess wire in cavity above the LED.

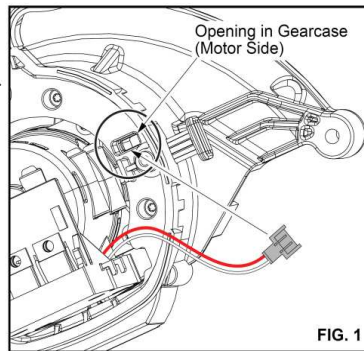


FIG. 1

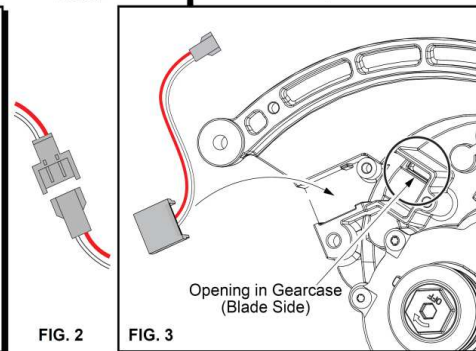


FIG. 2

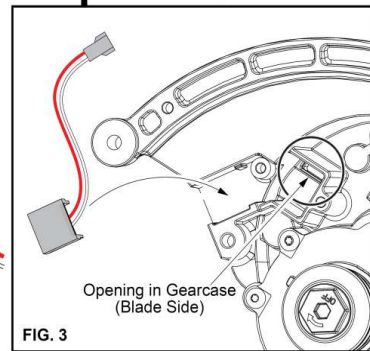


FIG. 3

Figure 4:
Route the black High Voltage Protection wire with ring terminal through opening in gearcase. Place black wire in trap on motor side and pull taut from blade side.

Figure 5:
Place ring terminal over gearcase screw boss as shown. Cover the HV wire and LED Assembly with the LED Cover (19) and secure with Screws (9). Be sure that the one screw goes through the opening of the ring terminal.

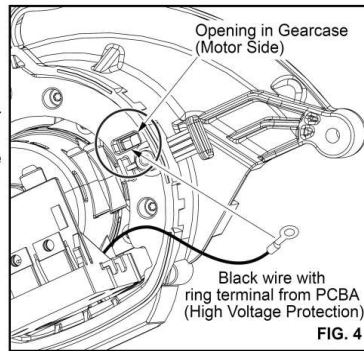


FIG. 4

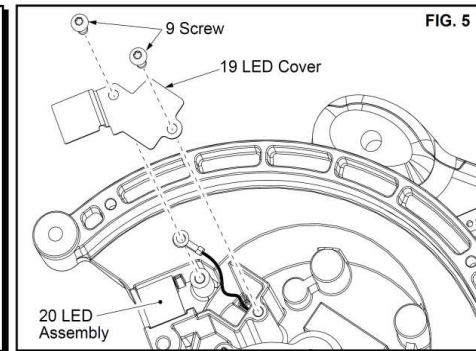
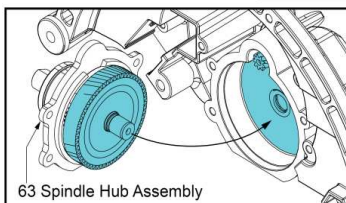


FIG. 5



63 Spindle Hub Assembly

LUBRICATION

Type 'Y' Grease, Item 1200

Apply 3.0 grams (.10 oz) of 'Y' Grease to the gear bore in Upper Guard Gearcase (70). Place a liberal amount of grease on the teeth of the pinion of the Rotor Assembly (64). Place a liberal amount of grease on all of the teeth of the output gear in the Spindle Hub Assembly (63). Coat the face of output gear and the end of output shaft with grease. Total amount of grease used is approximately 6.0 grams (.20 oz).

When servicing, remove 90-95% of the existing grease prior to installing Type 'Y'. Original grease may be similar in color but not compatible with 'Y'.