



M18 BCT

SERVICE PARTS DIAGRAM

TTI Model Number: 018 186 006

M18™ CUT OUT TOOL

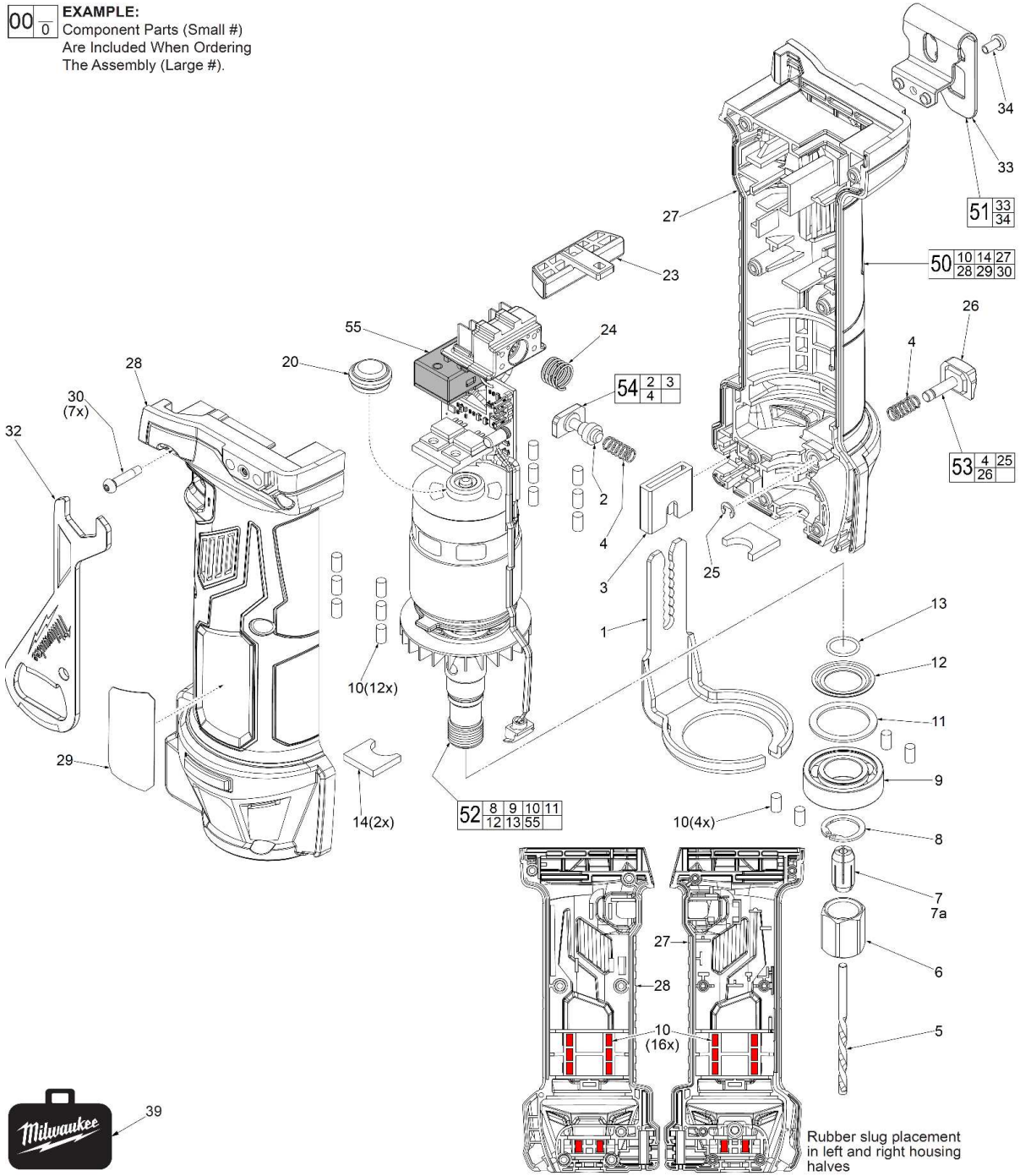
Bulletin Date:

Jun-21

Starting Serial Number:

VERSION A - G2017

EXAMPLE:
00 0 Component Parts (Small #)
Are Included When Ordering
The Assembly (Large #).





M18 BCT

SERVICE PARTS LIST

TTI Model Number: 018 186 006

M18™ CUT OUT TOOL

Bulletin Date:

Jun-21

Starting Serial Number:

VERSION A - G2017

ITEM	PART NUMBER	PART DESCRIPTION	QTY (PCS)
1	690602003	DEPTH GAUGE	1
2	-	DEPTH GAUGE STOPPER	1
3	-	DEPTH GAUGE SLEEVE	1
4	690440002	SPRING	2
5	695996001	1/8"X64MM HSS CUTTING BIT	2
6	690043002	COLLET NUT	1
7	695589001	1/8" COLLET	1
7a	690045003	1/4" COLLET	1
8	637666001	RETAINING RING	1
9	682097002	BALL BEARING (NEW)	1
9	682097001	BALL BEARING (OLD)	1
10	564168001	RUBBER SLUG	16
11	561645003	CUSHION RING	1
12	637654001	STAMPED RING	1
13	564218001	O-RING	1
14	564203001	RUBBER CUSHION/SEAL	2
20	564205001	MOTOR CAP SEAL	1
23	527863002	ON-OFF SWITCH SHUTTLE	1
24	691093001	SPRING	1
25	671826001	E RETAINING RING	1
26	-	SPINDLE LOCK BUTTON	1
27	-	HOUSING SUPPORT - LEFT HALVE	1
28	-	HOUSING COVER - RIGHT HALVE	1
29	941048311	SERVICE NAMEPLATE	1
30	660031017	M3.5 X 16MM SCREW	7
32	637699001	WRENCH	1
33	-	BELT CLIP	1
34	661082002	6-32X5/16" SCREW	1
39	902048019	CONTRACTORS BAG	1
50	204264002	HOUSING ASSEMBLY	1
51	202132001	BELT CLIP KIT	1
52	208191001	MOTOR/ELECTRONICS/SPINDLE ASSEMBLY	1
53	204265001	SPINDLE LOCK ASSEMBLY	1
54	204266001	DEPTH GAUGE ADJUSTMENT ASSEMBLY	1
55	760385005	ON-OFF SWITCH	1



M18 BCT

SERVICE INSTRUCTION

TTI Model Number: 018 186 006

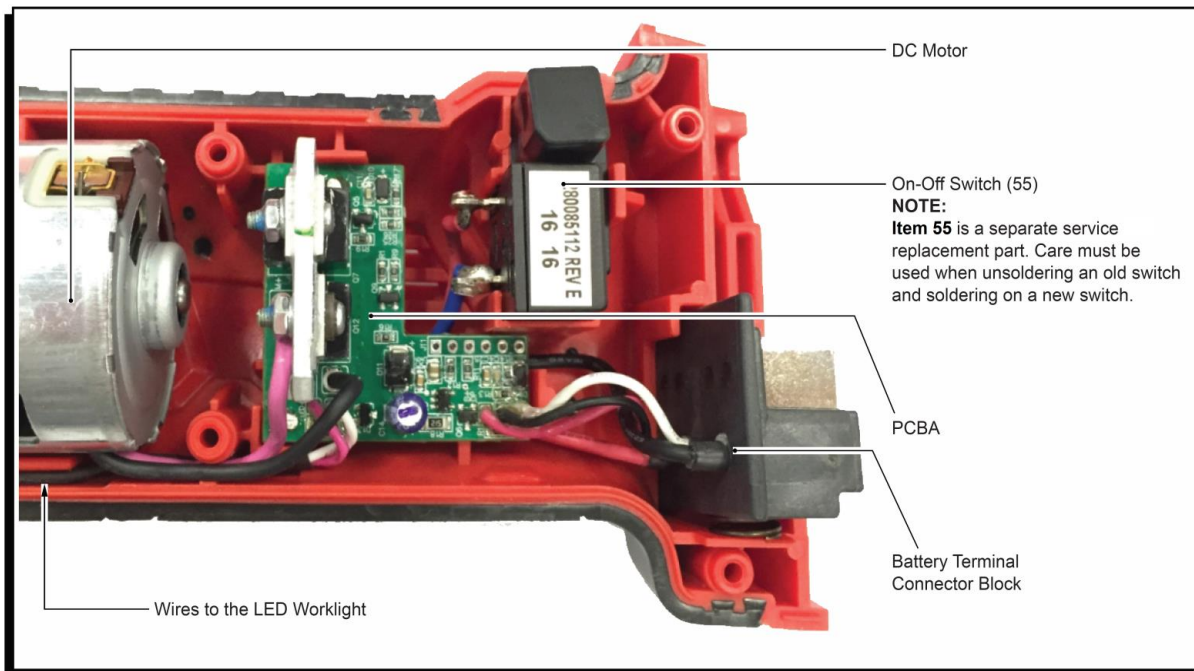
M18™ CUT OUT TOOL

Bulletin Date:

Jun-21

Starting Serial Number:

VERSION A - G2017



NOTE: Be sure to place all components of the Motor/Electronics/Spindle Assembly (52) firmly and squarely in the Housing Support (27). Be sure to route wires into wire traps as shown. Check for any interferences prior to installing the Housing Cover (28).