



M18 BJS

SERVICE PARTS DIAGRAM

TTI Model Number: 018 154 005, 006, 008

M18™ TOP HANDLE JIG SAW

Bulletin Date:

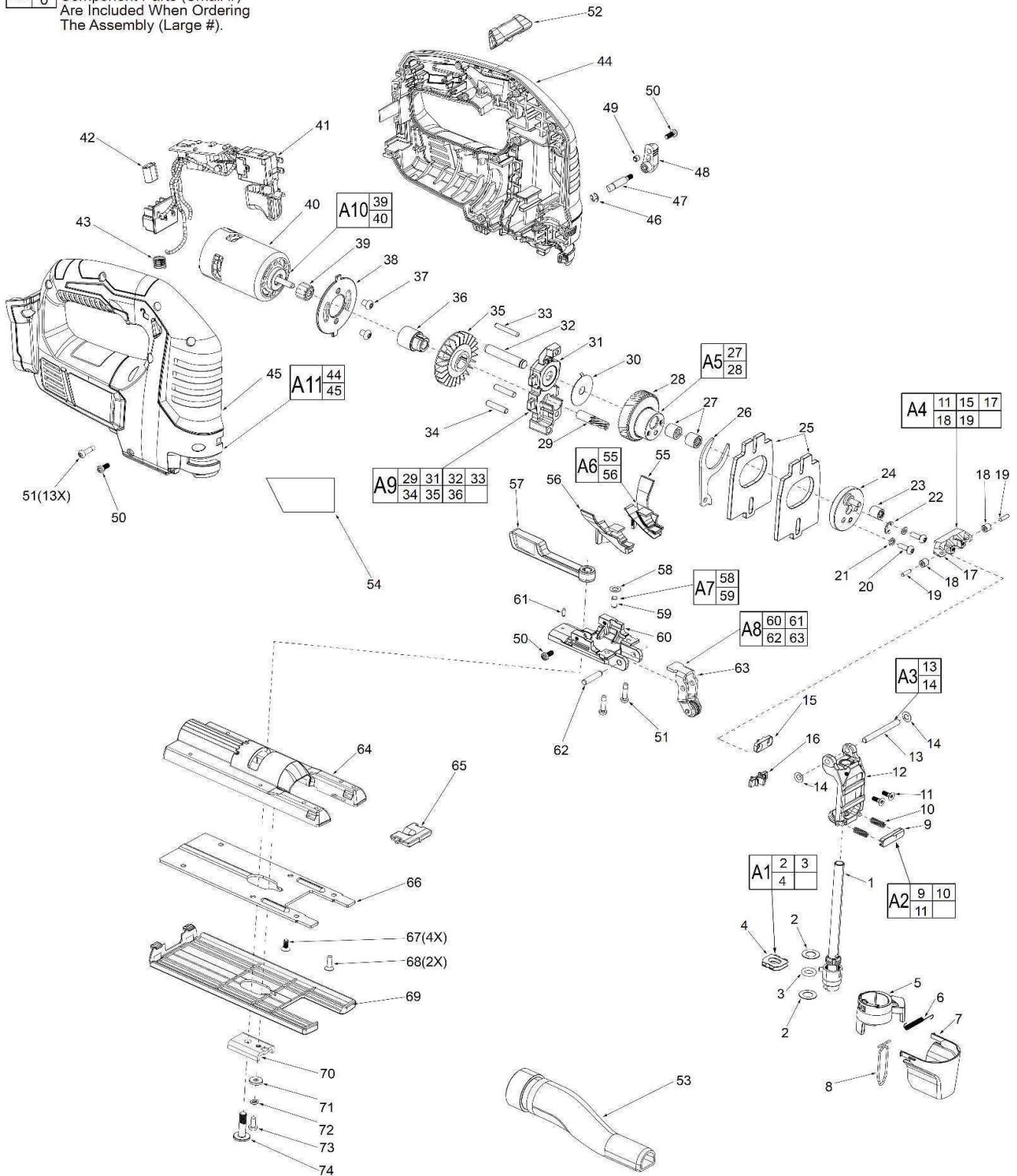
Jun-20

Starting Serial Number:

VERSION A - L2016

00	0
----	---

EXAMPLE:
Component Parts (Small #)
Are Included When Ordering
The Assembly (Large #).





M18 BJS

SERVICE PARTS LIST

TTI Model Number: 018 154 005, 006, 008

M18™ TOP HANDLE JIG SAW

Bulletin Date:

Jun-20

Starting Serial Number:

VERSION A - L2016

ITEM	PART NUMBER	PART DESCRIPTION	QTY (PCS)
1	204326001	SAW BAR ASSEMBLY	1
2	671805001	WASHER	2
3	563752001	RUBBER SEAL	1
4	612827001	PRESSING PLATE	1
5	528386001	ROTATE LEVER	1
6	694830001	SPRING	1
7	529185001	DUST COVER	1
8	636724001	GUARD WIRE	1
9	528412001	SPRING HOLDER	1
10	694935001	SPRING	2
11	661065001	M3.5 X 10MM SCREW	2
12	204313001	GUIDACE ASSEMBLY	1
13	673430001	PIN	1
14	636789001	DISC SPRING	2
15	612852001	LINK COVER	1
16	612827001	PRESSING PLATE	1
17	642429001	CONNECTING LINK	1
18	681355007	NEEDLE BEARING	2
19	673330001	PIN	2
20	661064001	M4.0 X 12MM SCREW	2
21	670030004	SPRING WASHER	3
22	680814001	E-RING	1
23	671441002	NEEDLE BEARING	1
24	671770001	ECCENTRICITY PLATE	1
25	636632001	BALANCE BLOCK	2
26	672139001	DRIVER PLATE	1
27	680928002	NEEDLE BEARING	2
28	610638002	OUTPUT GEAR	1
29	610484001	SPIRAL PINION SHAFT	1
30	671771001	WASHER	1
31	642604001	FRAME	1
32	620332003	PIN	1
33	673372001	PIN	1
34	671598001	PIN	2
35	512540001	FAN	1
36	610431001	COUPLER-DRIVEN	1



M18 BJS

SERVICE PARTS LIST

TTI Model Number: 018 154 005, 006, 008

M18™ TOP HANDLE JIG SAW

Bulletin Date:

Jun-20

Starting Serial Number:

VERSION A - L2016

ITEM	PART NUMBER	PART DESCRIPTION	QTY (PCS)
37	661219003	M5.0 X 6MM SCREW	2
38	636262001	MOTOR MOUNTING	1
39	610432001	MOTOR PINION	1
40	740881003	MOTOR	1
41	204324001	SWITCH ASSEMBLY	1
42	850010010	FERRITE BEAD	1
43	691093001	SPRING	1
44	-	HOUSING COVER	1
45	-	HOUSING SUPPORT	1
46	671997001	E-RING	1
47	671817001	ORBITAL ADJUSTABLE ROD	1
48	517608001	ORBIT ADJUST LEVER	1
49	301146002	RESILIENT ASSEMBLY	1
50	660400010	M4.0 X 10MM SCREW	2
51	660024030	M4 X 16MM SCREW	13
52	517607001	SAFETY BUTTON	1
53	529105001	DUST EXTRACTION	1
54	941048098	RATING LABEL	1
55	528296001	AIR CHANNEL CONVEX	1
56	528297001	AIR CHANNEL CONCAVE	1
57	528411001	BASE TOOL-LESS LEVER	1
58	903117001	SEAL FELT	1
59	671824001	PIN	1
60	642424001	LOWER HOUSING	1
61	671892001	PIN	1
62	671820001	PIN	1
63	311699001	ROLLER HOLDER ASSEMBLY	1
64	640965002	BASE	1
65	513409003	ANTI-SPLINTERING INSERT	1
66	631413001	BASE COVER	1
67	661063001	M4.0 SCREW	4
68	660213023	M4 X 13.0mm SCREW	2
69	513410004	BASE COVER	1
70	631438002	PLATE CLAMP	1
71	672059002	WASHER	1



M18 BJS

SERVICE PARTS LIST

TTI Model Number: 018 154 005, 006, 008

M18™ TOP HANDLE JIG SAW

Bulletin Date:

Jun-20

Starting Serial Number:

VERSION A - L2016

ITEM	PART NUMBER	PART DESCRIPTION	QTY (PCS)
73	660414009	M4 X 9MM SCREW	1
74	662250001	M6.0 X 24MM SCREW	1
75	307015014	BLOW MOULD CASE ASSEMBLY (NOT SHOWN)	1
A1	204315001	SEAL / WASHER ASSEMBLY	1
A2	204318001	PRESSING PLATE ASSEMBLY	1
A3	204316001	PIN / WASHER ASSEMBLY	1
A4	204314001	CONNECTING LINK ASSEMBLY	1
A5	204327001	OUTPUT GEAR ASSEMBLY	1
A6	204320001	AIR CHANNEL ASSEMBLY	1
A7	204321001	SEAL FELT / PIN ASSEMBLY	1
A8	204323001	LOWER HOUSING ASSEMBLY	1
A9	204317001	FAN / FRAME ASSEMBLY	1
A10	204319001	MOTOR ASSEMBLY	1
A11	204325001	HOUSING ASSEMBLY	1