



M18 CV

SERVICE PARTS DIAGRAM

TTI Model Number: 016 058 008

M18™ COMPACT VACUUM

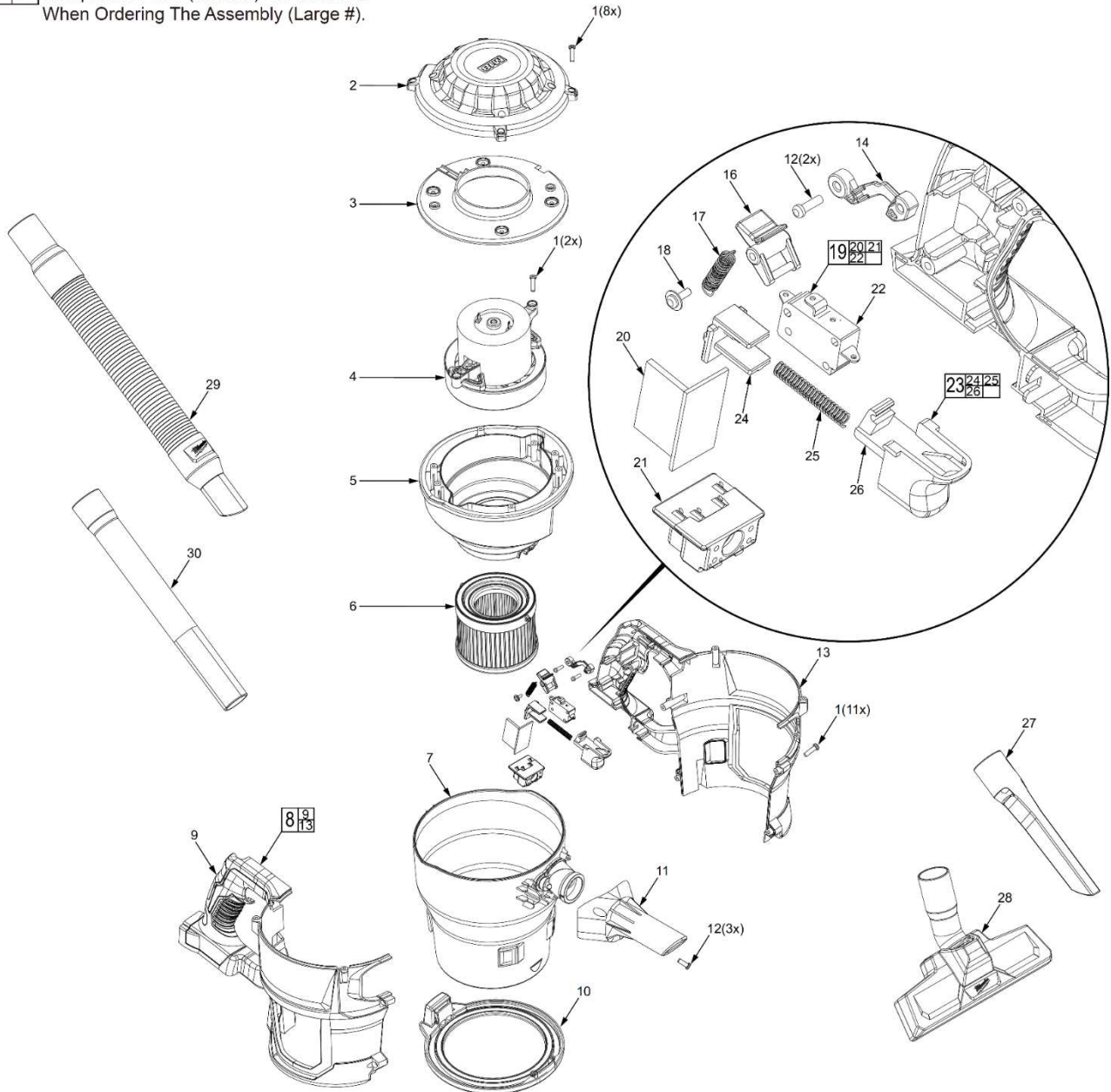
Bulletin Date:

Feb-20

Starting Serial Number:

VERSION A -

00 | **0** | **EXAMPLE:**
Component Parts (Small #) Are Included
When Ordering The Assembly (Large #).





M18 CV

SERVICE PARTS LIST

TTI Model Number: 016 058 008

M18™ COMPACT VACUUM

Bulletin Date:

Feb-20

Starting Serial Number:

VERSION A -

ITEM	PART NUMBER	PART DESCRIPTION	QTY (PCS)
1	016058001002	M3 X 16MM SCREW	21
2	016058002007	TOP COVER	1
3	016058001004	MOTOR INNER HOUSING	1
4	016058002005	MOTOR ASSEMBLY (NEW)	1
4	016058001005	MOTOR ASSEMBLY (OLD)	1
5	016058001006	DEFLECTOR	1
6	016058001001	FILTER	1
7	016058001007	CANISTER	1
8	016058001008	HOUSING ASSEMBLY	1
9	-	RIGHT HOUSING	1
10	016058002003	CANISTER LID ASSEMBLY	1
11	016058002002	INLET	1
12	016058001012	M3 X 10MM SCREW	5
13	-	LEFT HOUSING W/ PIN	1
14	016058001013	PRESS PLATE	1
16	016058001014	SWITCH LOCK-ON BUTTON	1
17	016058001015	SPRING	1
18	016058001016	WASHER HEAD SCREW	1
19	016058001017	ELECTRONICS ASSEMBLY (WIRES NOT SHOWN)	1
20	-	PCBA	1
21	-	BATTERY TERMINAL CONNECTOR BLOCK	1
22	-	ON/OFF SWITCH	1
23	016058002006	TRIGGER ASSEMBLY	1
24	-	TRIGGER HOLDER	1
25	-	TRIGGER SPRING	1
26	-	TRIGGER	1
27	016058002011	CREVICE TOOL	1
28	016058002008	FLOOR TOOL	1
29	016058002009	HOSE	1
30	016058002010	EXTENSION TUBE	1
31	01605800801K	RATING LABEL (NOT SHOWN)	1