



M18 BHG

SERVICE PARTS DIAGRAM

TTI Model Number: 016 069 008, 018

M18™ HEAT GUN

Bulletin Date:

Jun-21

Starting Serial Number:

VERSION A -

00 0

EXAMPLE:

Component Parts (Small #)
Are Included When Ordering
The Assembly (Large #).

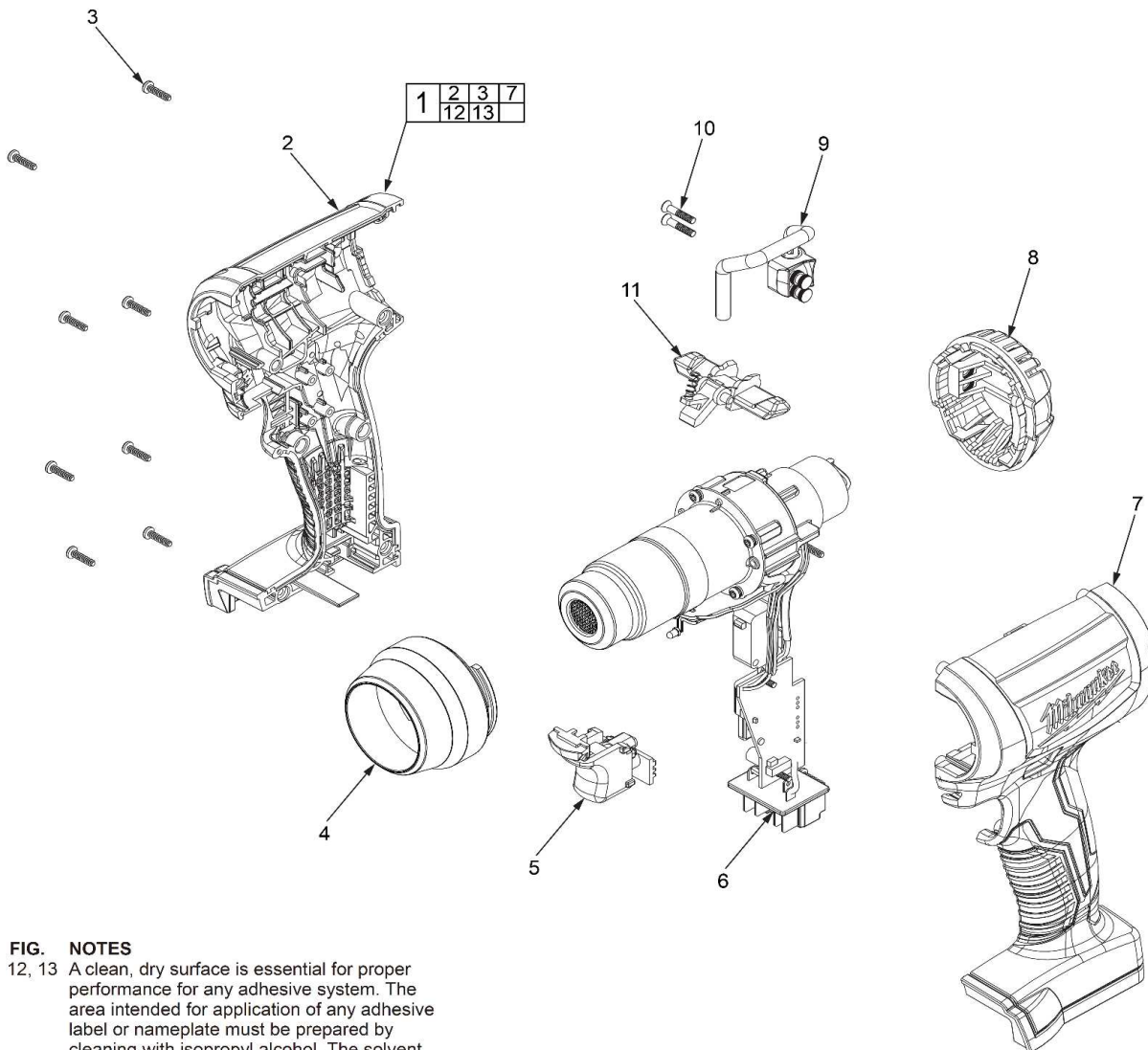


FIG. NOTES

12, 13 A clean, dry surface is essential for proper performance for any adhesive system. The area intended for application of any adhesive label or nameplate must be prepared by cleaning with isopropyl alcohol. The solvent is to be applied with a clean, lint free applicator and the surface allowed to dry before applying the label or nameplate.

	<h1>M18 BHG</h1> <p>SERVICE PARTS LIST</p>	Bulletin Date: <h2>Jun-21</h2>
	TTI Model Number: 016 069 008, 018 M18™ HEAT GUN	Starting Serial Number: VERSION A -

ITEM	PART NUMBER	PART DESCRIPTION	QTY (PCS)
1	016069001005	HOUSING KIT	1
2	-	RIGHT HOUSING	1
3	-	M3 X 12MM SCREW	8
4	016069001002	NOSE CONE COVER	1
5	016069001008	TRIGGER ASSEMBLY	1
6	016069001006	MOTOR & PCBA ASSEMBLY	1
7	-	LEFT HOUSING	1
8	016069001001	REAR COVER	1
9	016069001007	HOOK ASSEMBLY	1
10	016069001003	M3 X 16MM SCREW	2
11	016069001004	SWITCH LOCK OUT	1
12	01606900801K	RATING LABEL (NOT SHOWN) 016069008 ASIA VERSION	1
12	01606901801K	RATING LABEL (NOT SHOWN) 016069018 ONLY APJ VERSION	1