



Nothing but **HEAVY DUTY.**[®]



M18 FOPH-HTA

User Manual

操作指南

操作指南

사용시 주의사항

คู่มือการใช้

Buku Petunjuk Pengguna

The illustration shows the application head M18 FOPH-HTA connected to the MILWAUKEE powerbase M18 FOPH-0. This application head may only be operated in connection with the powerbase shown here.

Depending on the equipment package you have purchased, various application heads, other application heads and powerbases can be purchased separately.

圖示顯示連接到MILWAUKEE動力頭M18 FOPH-HTA的快拆配件M18 FOPH-0。本快拆配件只能與本說明書中顯示的動力頭一起使用。

根據您購買的設備包，可以單獨購買各種快拆配件、其他快拆配件和動力頭。

图示显示连接到美沃奇多功能主机M18 FOPH-HTA的应用头M18 FOPH-0。本应用头只能与本说明书中显示的多功能主机一起使用。

根据您购买的设备包，可以单独购买各种应用头、其他应用头和多功能主机。

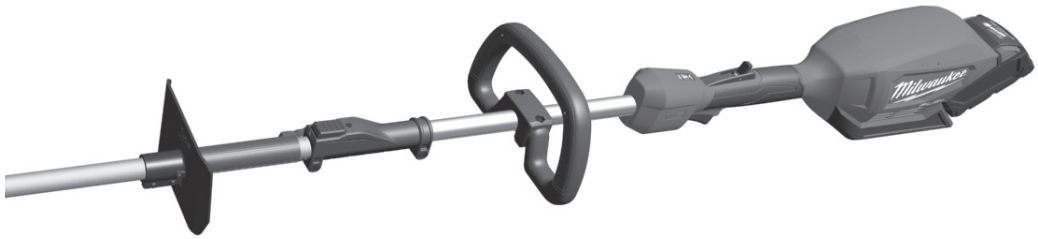
다음 그림에는 MILWAUKEE 파워베이스 M18 FOPH-HTA 에 연결된 애플리케이션 헤드 M18 FOPH-LTA가 제시되어 있습니다. 이 애플리케이션 헤드는 본 매뉴얼에 제시된 파워베이스와 연결되어 있는 상태에서만 조작할 수 있습니다. 구입한 장비 패키지에 따라 애플리케이션 헤드가 다를 수 있으며, 기타 애플리케이션 헤드와 파워베이스를 별도로 구입할 수 있습니다.

ภาพประกอบแสดงหัวตัดรุ่น M18 FOPH-HTA ที่เชื่อมต่อกับชุดส่งกำลัง MILWAUKEE รุ่น M18 FOPH-0 หัวตัดนี้จะทำงานเมื่อเชื่อมต่อกับชุดส่งกำลังตามที่แสดงไว้ในคู่มือนี้เท่านั้น อุปกรณ์ของคุณมาพร้อมกับหัวตัดหลากหลายแบบ โดยขึ้นอยู่กับรุ่นอุปกรณ์ที่คุณซื้อ หัวตัดแบบอื่นๆ สามารถจัดซื้อแยกต่างหากได้

Gambar berikut menunjukkan head perangkat M18 FOPH-HTA yang terhubung dengan powerbase MILWAUKEE M18 FOPH-0. Head perangkat ini hanya dapat dioperasikan saat terhubung dengan powerbase yang ditunjukkan dalam manual ini.

Tergantung pada paket peralatan yang Anda beli, berbagai head perangkat, head perangkat dan powerbase lain dapat dibeli secara terpisah.







For the following instructions of the powerbase in connection with this application head refer to the separate instructions for the power base

- connecting the application head with the powerbase
- switching on-off
- speed selection
- change battery

有關本快拆配件的動力頭的以下說明，請參閱動力頭的獨立說明。

- 連接快拆配件與動力頭
- 開/關
- 選擇速度
- 更換電池

有关本应用头的多功能主机的以下说明，请参阅多功能主机的独立说明。

- 连接应用头与多功能主机
- 开/关
- 选择速度
- 更换电池

이 애플리케이션 헤드와 함께 파워베이스에 대한 설명서는 파워베이스를 위한 별도의 설명서를 참고하십시오.

- 애플리케이션 헤드와 파워베이스 연결
- 전원 켜기/끄기
- 속도 선택
- 배터리 교체

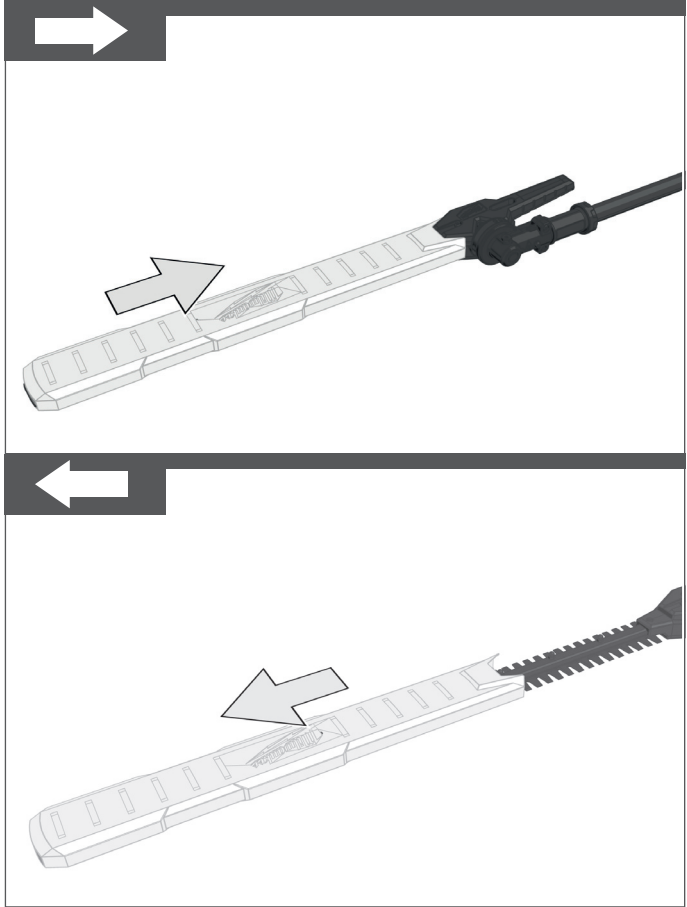
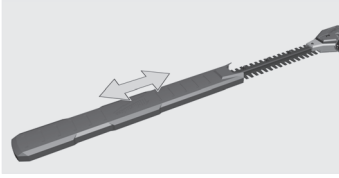
สำหรับคำแนะนำในการเชื่อมต่อชุดส่งกำลังกับหัวตัดนี้ ให้ดูที่คำแนะนำที่แยกส่วนกันสำหรับชุดส่งกำลัง

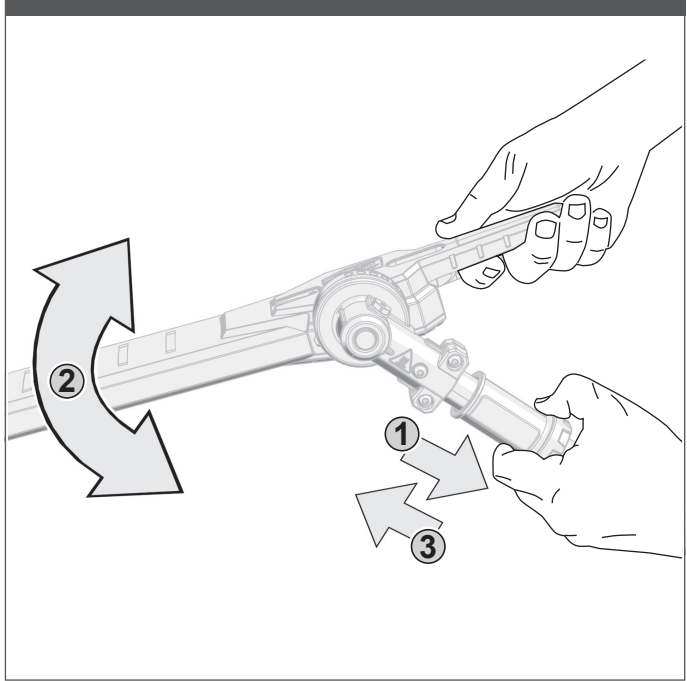
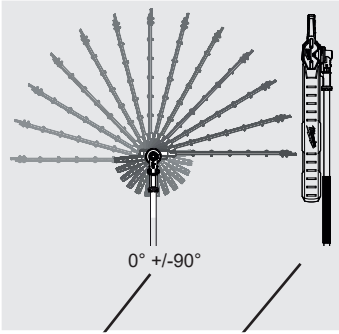
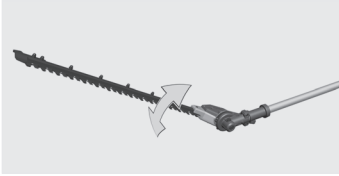
- การเชื่อมต่อหัวตัดเข้ากับชุดส่งกำลัง
- การเปิด/ปิดเครื่อง
- การเลือกความเร็ว
- การเปลี่ยนแบตเตอรี่

Untuk instruksi powerbase berikut terkait dengan head perangkat ini, lihat instruksi terpisah untuk powerbase.

- menghubungkan head perangkat dengan powerbase
- menyalakan-mematikan
- pilihan kecepatan
- mengganti baterai







Trimming positions

Storage position

修剪位置

存放位置

修剪位置

存放位置

트리밍 위치

보관 위치

ตำแหน่งการตัดแต่ง

ตำแหน่งการจัดเก็บ

Posisi pemangkasan
(trimming)

Posisi penyimpanan



Never work in storage position!

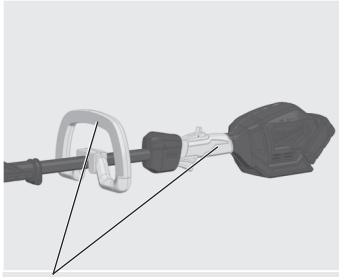
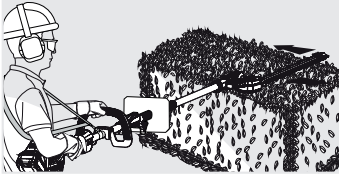
切勿在存放位置工作。

切勿在存放位置工作。

보관 위치에서 작업을 수행하지 마십시오!

ห้ามใช้งานอุปกรณ์ ในตำแหน่ง การจัดเก็บ

Jangan pernah bekerja dalam posisi penyimpanan!



Handle (insulated gripping surface)

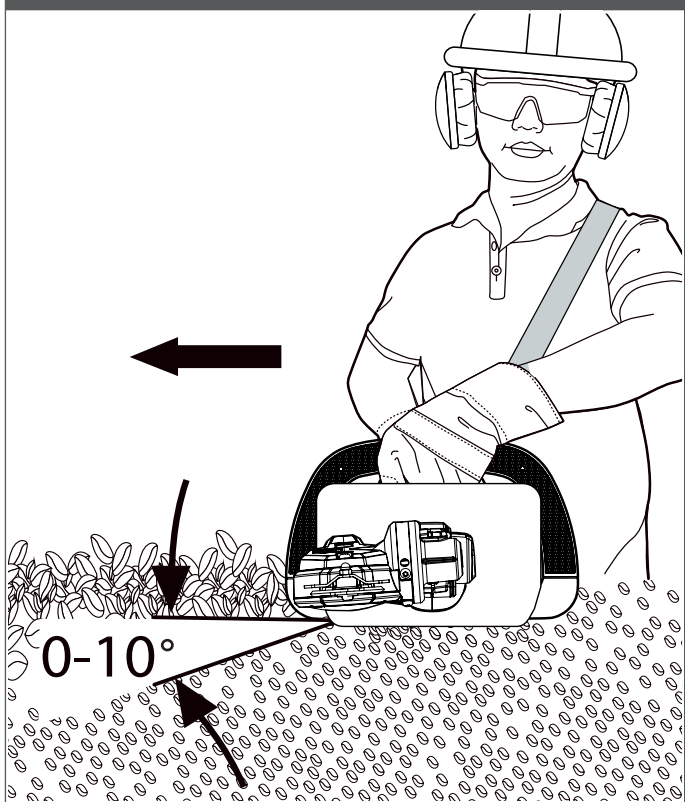
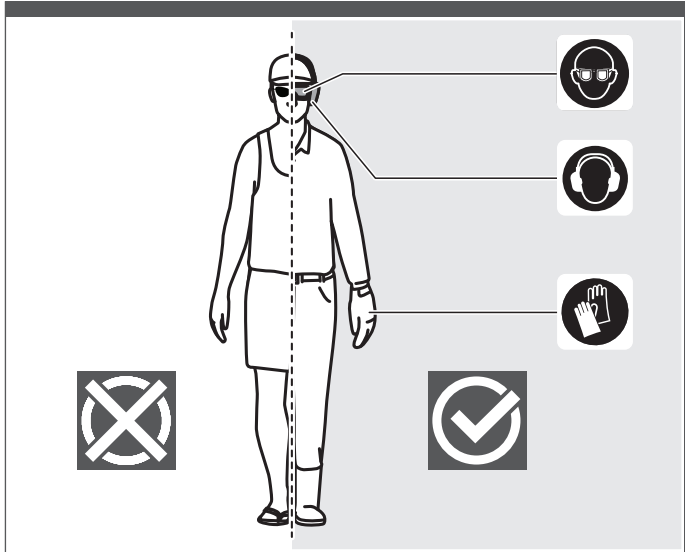
把手 (絶縁の握持表面)

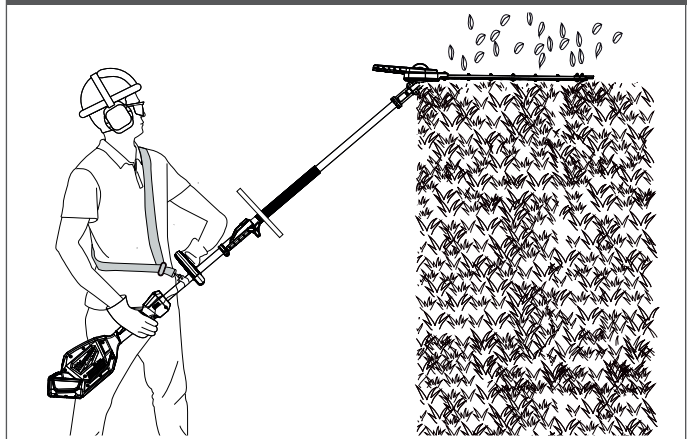
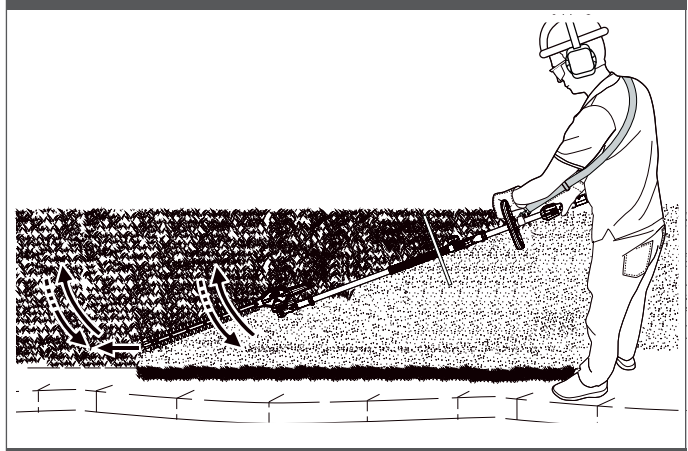
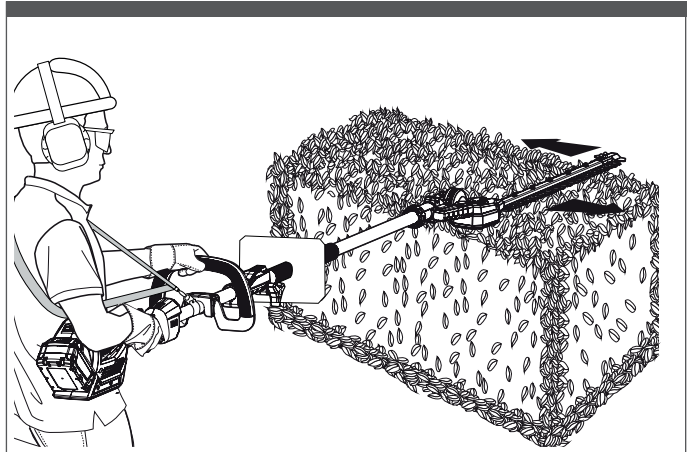
把手 (绝缘的握持表面)

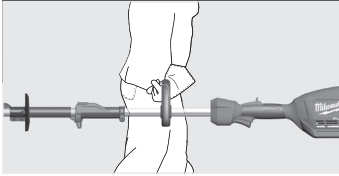
손잡이 (절연 그림 표면)

มือจับ (พื้นผิวจับกันความร้อน)

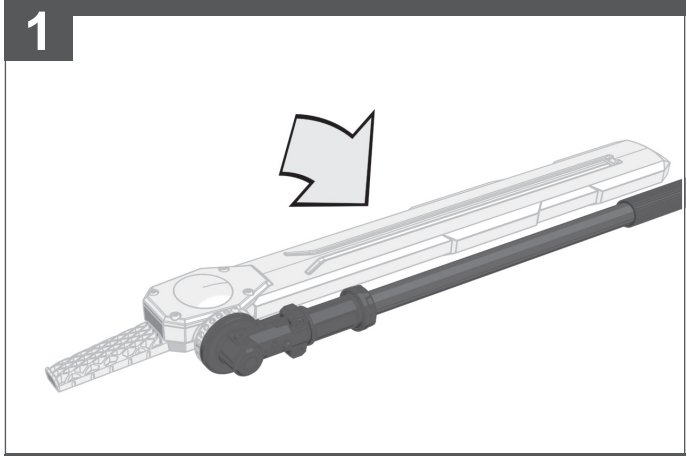
Gagang (permukaan genggam berinsulasi)



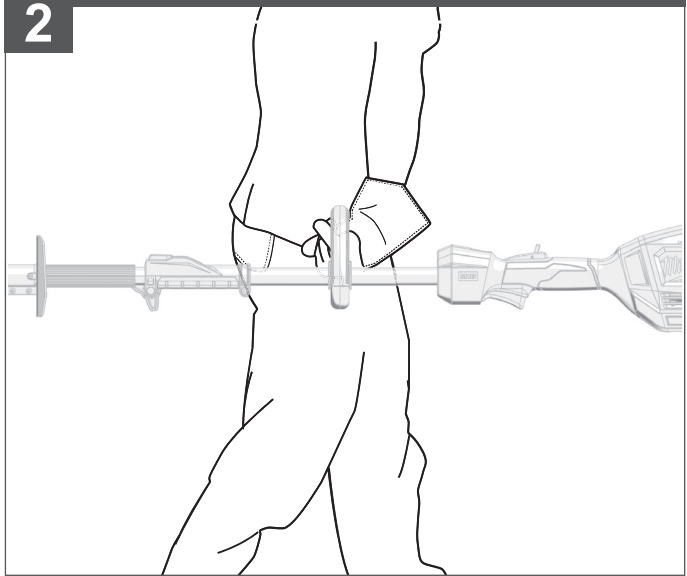


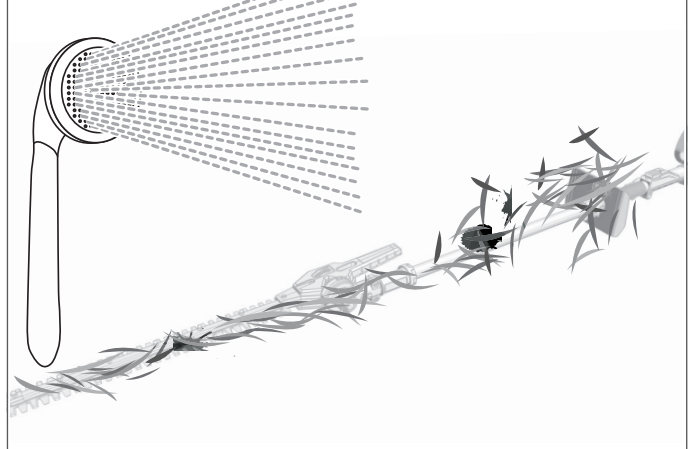
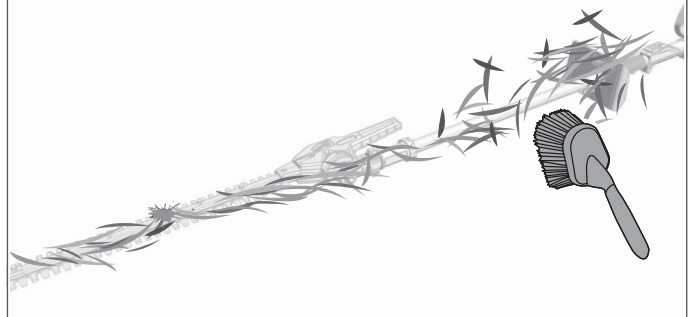
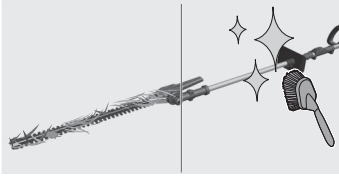


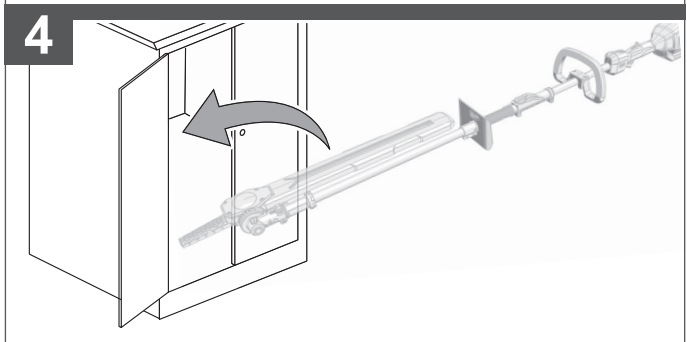
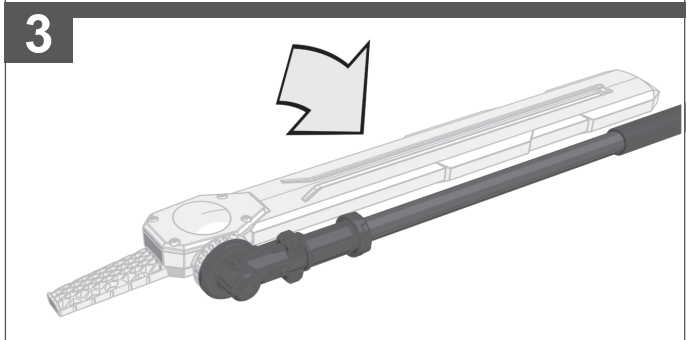
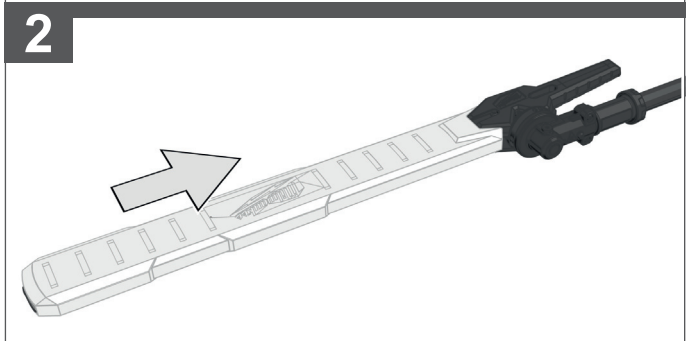
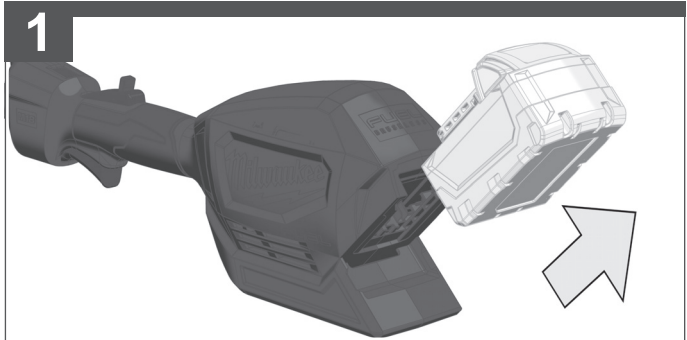
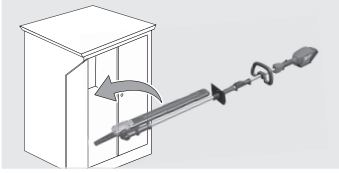
1

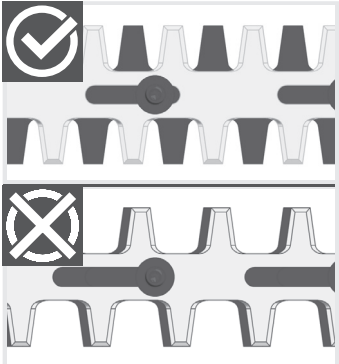
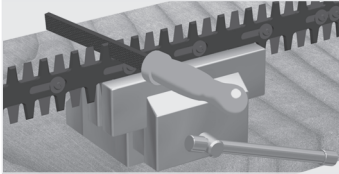


2

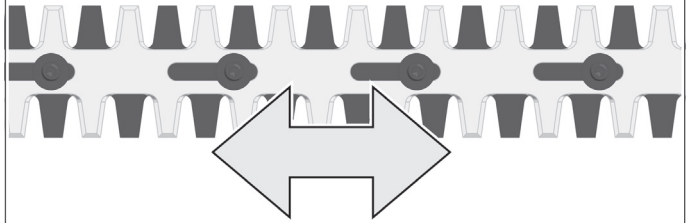




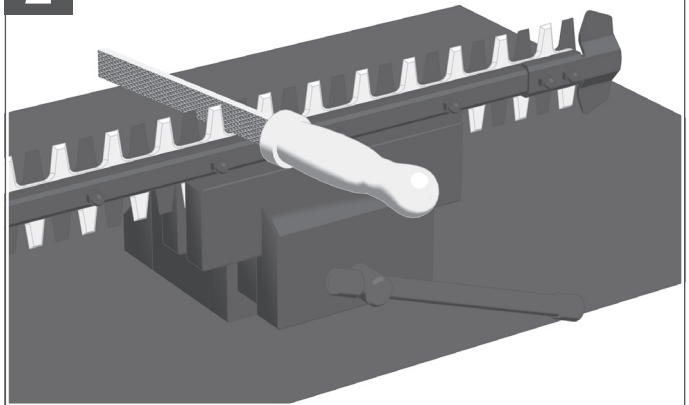




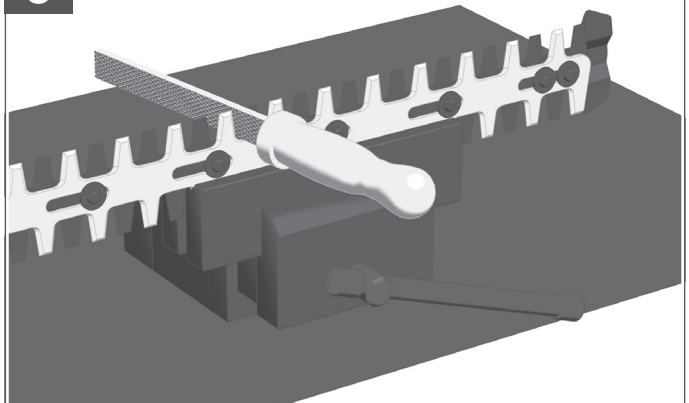
1



2



3



TECHNICAL DATA**M18 FOPH-HTA**

No-load speed	0–2800/0–3500 min ⁻¹
Blade length	508 mm
Tooth spacing	25 mm
Cutting capacity	25 mm
Weight according EPTA-Procedure 01/2014	2.6 kg

Noise/vibration information

Measured values determined according to EN 60745

Typically, the A-weighted noise levels of the tool are:

Sound pressure level (Uncertainty K=3 dB(A))	84 dB(A)
Sound power level (Uncertainty K=3 dB(A))	92.4 dB(A)

Wear ear protectors!

Total vibration values (vector sum in the three axes) determined according to EN 60745

Vibration a _h	3.5 m/s ²
Uncertainty K	0.8 m/s ²

For technical data and list of powerbases that can be used for a particular application head, refer to the operating instructions of the application head.

WARNING

The vibration emission level given in this information sheet has been measured in accordance with a standardised test given in EN 60745 and may be used to compare one product with another. It may be used for a preliminary assessment of exposure.

The declared vibration emission level represents the main applications of the product. However, if the product is used for different applications with different accessories or poorly maintained, the vibration emission may differ. This may significantly increase the exposure level over the total working period.

An estimation of the level of exposure to vibration should also take into account the times when the product is turned off or when it is running but not actually doing the job. This may significantly reduce the exposure level over the total working period.

Identify additional safety measures to protect the operator from the effects of vibration such as maintaining the product and the accessories, keeping the hands warm, and organising patterns.

⚠ WARNING Read these instructions carefully, and be familiar with the controls and the proper use of the product. Save all warnings and instructions for future reference.

⚠ CORDLESS HEDGE TRIMMER SAFETY WARNINGS

Keep all parts of the body away from the blade. Do not remove cut material or hold material to be cut when blades are moving. Blades continue to move after the switch is turned off. A moment of inattention while operating the hedge trimmer may result in serious personal injury.

Carry the product by the handle with the blade stopped and fingers away from all power switches. Proper handling of the product reduces possible personal injury from the cutter blades.

When transporting or storing the product, always fit the blade cover. Proper handling of the product decreases the risk of personal injury from the blades.

Make sure all power switches are off when clearing jammed material or servicing the unit. Unexpected actuation of the product while clearing jammed material or servicing may result in serious personal injury.

Hold the product by insulated gripping surfaces only because the blade may contact hidden wiring. Blades contacting a "live" wire may make exposed metal parts of the hedge trimmer "live" and could give the operator an electric shock.

Keep all power cords and cables away from the cutting area. Power cords or cables may be hidden in hedges or bushes and can be accidentally cut by the blade.

Do not use the product in bad weather conditions, especially when there is a risk of lightning. This decreases the risk of being struck by lightning.

⚠ EXTENDED HEDGE TRIMMER SAFETY WARNINGS

To reduce the risk of electrocution, never use the product near any electrical power lines. Contact with or use near power lines may cause serious injury or electric shock resulting in death.

Always use two hands when operating the product. Hold the product with both hands to avoid loss of control.

Always use head protection when operating the product overhead. Falling debris can result in serious personal injury.

ADDITIONAL SAFETY WARNINGS

Never allow children, persons with reduced physical, sensory or mental capabilities or lack of experience and knowledge or people unfamiliar with these instructions to use the product. Local regulations may restrict the age of the operator.

Clear the work area before each use. Remove all objects, such as cords, lights, wires, or strings, which can be thrown or become entangled in the cutting means.

Check the hedge for foreign objects, such as wire fences.

Never use the product near posts, fences, buildings, or other immovable objects.

Beware of thrown objects. Keep all bystanders, children, and pets at least 15 m away from work area.

Do not operate the product in poor lighting. The operator requires a clear view of the work area to identify potential hazards.

Inspect the product before each use. Check for loose fasteners, etc. Make sure that all guards and handles are properly and securely attached. Replace any damaged parts before use. Check for battery pack leaks.

Do not modify the product in any way.

Do not allow children or untrained individuals to use the product.

Wear full eye and hearing protection while operating the product. If working in an area where there is a risk of falling objects, wear appropriate head protection.

Secure long hair so it is above shoulder level to prevent entanglement in moving parts.

Do not use the product while you are tired, ill, or under the influence of alcohol, drugs, or medication.

Keep firm footing and balance. Do not overreach. Overreaching can result in loss of balance.

Before starting the product, make sure that the cutting blades will not come in contact with anything.

While operating the product, always hold it firmly with both hands by the two handles. Ensure that the operating position is safe and secure. The manufacturer does not recommend the use of steps or ladders. If higher trimming is required, use an extended-reach tool.

Blades are sharp. When handling the blade assembly, wear heavy-duty, non-slip protective gloves. Do not place your hand or fingers between blades or in any position where they could get pinched or cut. Never touch the blade nor service the product unless the battery pack is removed.

Do not force the product through heavy shrubbery. This can cause the blades to bind and slow down. If the blades slow down, reduce the pace.

Do not attempt to cut stems or twigs that are larger than 28 mm, or those obviously too large to feed into the cutting blade.

Use a non-powered hand saw or pruning saw to trim large stems.

Use of hearing protection reduces the ability to hear warnings (shouts or alarms). The operator must pay extra attention to what is going on in the working area.

⚠ WARNING! If the product is dropped, suffers heavy impact, or begins to vibrate abnormally, immediately stop the product and inspect for damage or identify the cause of the vibration. Any damage should be properly repaired or replaced by an authorised service centre.

Remove the battery pack before starting any work on the product.

Do not dispose of used battery packs in the household refuse or by burning them. MILWAUKEE distributors accept old batteries to protect our environment.

Do not store the battery pack together with metal objects (short circuit risk).

Use only M18 System chargers for charging M18 System battery packs. Do not use battery packs from other systems.

Battery acid may leak from damaged batteries under extreme load or extreme temperatures. In case of contact with battery acid, wash it off immediately with soap and water. In case of eye contact, rinse thoroughly for at least 10 minutes and immediately seek medical attention.

ADDITIONAL BATTERY SAFETY WARNINGS

⚠ WARNING! To reduce the risk of fire, personal injury, and product damage due to a short circuit, never immerse your product, battery pack, or charger in fluid or allow a fluid to flow inside them. Corrosive or conductive fluids, such as seawater, certain industrial chemicals, and bleach or bleach-containing products, etc., can cause a short circuit.

TRANSPORTATION AND STORAGE

Stop the product, remove the battery pack, and allow it to cool before storing or transporting.

Clean all foreign materials from the product. Store the product in a cool, dry, and well-ventilated place that is inaccessible to children. Keep the product away from corrosive agents, such as garden chemicals and de-icing salts. Do not store the product outdoors.

For transportation in vehicles, secure the product against movement or falling to prevent injury to persons or damage to the product.

TRANSPORTING LITHIUM BATTERIES

Lithium-ion batteries are subject to the Dangerous Goods Legislation requirements.

Transportation of lithium-ion batteries has to be done in accordance with local, national and international provisions and regulations.

- The user can transport the battery packs by road without further requirements.
- Commercial transport of lithium-ion batteries by third parties is subject to Dangerous Goods regulations. Transport preparation and transport are exclusively to be carried out by appropriately trained persons and the process has to be accompanied by corresponding experts.

When transporting battery packs:

- Ensure that battery contact terminals are protected and insulated to prevent short circuit.
- Ensure that battery pack is secured against movement within packaging.
- Do not transport battery packs that are cracked or leaking.

Check with forwarding company for further advice

RESIDUAL RISKS

Even when the product is used as prescribed, it is still impossible to completely eliminate certain residual risk factors. The following hazards may arise in use and the operator should pay special attention to avoid the following:

- Injury caused by vibration. Hold the product by designated

handles and restrict working time and exposure.

- Exposure to noise can cause hearing injury. Wear ear protection and limit exposure.
- Injury due to flying debris. Wear eye protection, heavy long trousers, gloves and substantial footwear at all times.

SPECIFIED CONDITIONS OF USE

The cordless hedge trimmer is intended for use outdoors. For safety reasons, the product must be adequately controlled by using two-handed operation.

The product is designed for home or domestic use. It is intended to cut and trim hedges, shrubs, and similar vegetation.

It should be used in dry, well-illuminated conditions.

The product is not intended to cut grass, trees, or branches. It should not be used for any other purpose than hedge trimming.

Do not use this product in any other way as stated for normal use.

BATTERIES

Battery packs which have not been used for some time should be recharged before use.

Temperatures in excess of 50°C (122°F) reduce the performance of the battery pack. Avoid extended exposure to heat or sunshine (risk of overheating).

The contacts of chargers and battery packs must be kept clean.

For an optimum lifetime, the battery packs have to be fully charged after use.

To obtain the longest possible battery life, remove the battery pack from the charger once it is fully charged.

For battery pack storage longer than 30 days:

- Store the battery pack where the temperature is below 27°C and away from moisture.
- Store the battery packs in a 30% - 50% charged condition.
- Every six months of storage, charge the pack as normal.

MAINTENANCE

After each use, clean the body and handles of the product with a soft, dry cloth.

After each use, clean the debris from the blades with a stiff brush, then carefully apply a rust preventative lubricant before refitting the blade protector. The manufacturer recommends you to use a rust preventative and lubricant spray to apply an even distribution and reduce the risk of personal injury from contact with the blades. For information about a suitable spray product, contact one of our MILWAUKEE service centres. (see our list of guarantee/service addresses).

Lubricate the blades lightly before use if necessary using the above method.

Keep all nuts, bolts, and screws tight to be sure that the product is in safe working condition.

Examine the product and replace worn or damaged parts for safety.

Use only MILWAUKEE accessories and MILWAUKEE spare parts. Should components need to be replaced which have not been described, contact one of our MILWAUKEE service centres (see our list of guarantee/service addresses).

If needed, an exploded view of the product can be ordered. State the product type printed as well as the serial number on the label and order the drawing at your local service centres.

SYMBOLS



CAUTION! WARNING! DANGER!



Read the instructions carefully before starting the product.



Remove the battery pack before starting any work on the product.



Always wear goggles when using the product.



Wear ear protectors.



Wear non-slip, heavy-duty gloves.



Always wear protective clothing and footwear.



DANGER! – Keep sufficient distance away from electrical power lines.



Keep bystanders a safe distance away from the product.



To prevent serious injury, do not touch cutting blades.



Do not use in the rain or leave outdoors while it is raining.



The guaranteed sound power level is 96 dB.

n_0 XXXX min⁻¹

No-Load Strokes per Minute (SPM)



Do not dispose of electric tools, batteries/ rechargeable batteries together with household waste material. Electric tools and batteries that have reached the end of their life must be collected separately and returned to an environmentally compatible recycling facility. Check with your local authority or retailer for recycling advice and collection point.

n_0 Stroke rate under no-load

V Volts

== Direct current

技術數據

M18 FOPH-HTA

無負載轉速	0 - 2800/0 - 3500 min ⁻¹
刀片長度	508 mm
齒距	25 mm
切割容量	25 mm
根據EPTA-Procedure 01/2014的重量	2.6 kg

噪音/振動資訊

EN 60745 所測的測量值。

一般來說，本工具的A加權噪音標準為：

聲壓值 (不確定性的測量 K=3 dB(A))	84 dB(A)
聲功率級 (不確定性的測量 K=3 dB(A))	92.4 dB(A)

佩戴護耳器。

依EN 60745 所測的振動總值 (三軸向量總和)

振動值 a _n	3.5 m/s ²
不確定性的測量 K	0.8 m/s ²

請參閱快拆配件的操作說明，以取得技術數據及對應特定快拆配件的動力頭列表。

警告！

本說明書所提供的振動等級是依 EN 60335-1/EN 50636-2-91 規定的標準化測試所測得，且可能用於與另一個工具進行比較。該等級可用來初步評估風險。

宣告的振動釋放等級代表的是本產品的主要應用。然而，如果產品用於不同的應用、使用不同的配件或保養不當，振動釋放也可能不同。這可能會在總工作時間上顯著增加風險等級。

評估振動暴露的等級還應考慮本工具關機時的時間，或當工具運轉但卻未實際使用的時間。這可能會明顯降低總工作期間的風險等級。

請確認額外的安全措施，以保護操作員不受振動的影響，例如：保養產品與配件、保持手部溫暖和井然有序的工作方式。

⚠ 警告！ 請仔細閱讀這些說明，熟悉控制及產品的正確使用。將所有警告和說明保存好，方便以後查閱

⚠ 電動籬笆修剪機安全警告

保持身體的所有部位遠離刀片。當刀片運作時，切勿移除切割物料或握住將要切割的物料。當關掉產品後，刀片會繼續移動。操作籬笆修剪機期間的一時疏忽，可能會導致嚴重的人身傷害。

當刀片停止及手指遠離所有電源開關時，才把手攜帶產品。正確地處理產品可減少刀片可能造成的人身傷害。

運輸或存放產品時，務必安裝刀片蓋。正確地處理產品可降低刀片造成人身傷害的風險。

清除卡住的材料或維修設備時，確保所有電源開關均已關閉。清除堵塞物料或維修時意外啟動產品，可能會導致嚴重的人身傷害。

因為刀片可能接觸到隱藏的電線，所以只可握持產品的絕緣握持面。切割刀片接觸火線可能會導致電動籬笆修剪機裸露的金屬部分帶電，可能會導致操作人員觸電。

保持所有電源線及電纜遠離切割區域。電源線或電纜可能隱藏在樹籬或灌木叢中，可能會被刀片意外切斷。

請勿在惡劣天氣條件下（尤其是存在雷擊危險時）使用本產品。這有助於降低了遭受雷擊的風險。

⚠ 延長電動籬笆修剪機安全警告

為了降低觸電風險，請勿在任何電源線附近使用本產品。使用

產品時接觸電源線或在電源線附近使用產品，可能會導致嚴重傷害或觸電引致死亡。

務必以雙手使用本產品。用雙手握住產品以避免失控。

在頭頂上操作產品，務必使用頭部保護裝置。墜落的碎屑可能導致嚴重的人身傷害。

附加的安全說明

不要讓兒童、身體、感覺或精神能力下降的人員或缺乏經驗及知識的人，或不熟悉這些指示的人使用產品。當地法規可能會限制操作員的年齡。

使用產品前，先清理工作區域。移除所有物件，例如電線、燈、金屬絲或可能被拋出或纏結在切割裝置中的線。

檢查產品是否有異物，如鐵絲網。

切勿在靠近崗位、圍欄、建築物或無法移動使用產品。

慎防拋出的物體。慎防拋出的物體；讓所有旁觀者、兒童和動物至少距離工作區域15米。

切勿在光線不足的情況下進行操作產品。操作者需要清晰視線的工作區域，以識別潛在的危險。

每次使用前，檢查產品。檢查緊固件的鬆動等。確保所有防護裝置和把手皆正確安全地連接。使用前更換損壞的部件。檢查電池是否有洩漏

切勿以任何方法更改本產品。

切勿讓兒童或未經培訓的人員使用本產品。

在操作產品時，須佩戴全面的眼部和聽力的保護裝置。如果於

有物體掉落危機的地方工作，請戴上適當的頭部保護裝置。
束起長髮，使其高於肩膀水平，以防止纏結於運動部件。
切勿在疲勞、生病或受酒精、藥物或治療影響下使用本產品。
時刻注意立足點和身體平衡。切勿伸展太遠。過度使用會導致失去平衡。

在啟動產品之前，請確保切割刀片不會與任何物體接觸。

使用籬笆修剪機時，務必用雙手握著兩只把手。確保操作位置是安全穩當。製造商不建議使用臺階或梯子。如果需要更高的修剪，請使用延展工具。

注意刀片鋒利。處理刀片組件時，請戴上防滑而用於重型操作工作的保護手套。請勿將手或手指放在刀片之間或任何可能被夾住或切割的位置。除非取出電池組，否則不要觸摸刀片，也不要對本產品進行維修。

切勿強行於厚的灌木上使用本產品。刀片可能因此打結及減速。倘若刀片減速，需要縮減步幅。

不要嘗試切割大於28毫米的莖或枝條，或者顯然太大，刀片無法進入進行切割。

使用非動力手鋸或以修剪鋸修剪大型的莖。

使用聽力保護裝備會降低聽到警示（呼喊或警報）的能力。操作人員必須格外注意工作區域發生的各種情況。

⚠ 警告！如果產品掉落、受到重大衝擊或者開始異常振動，請立即停止產品，並檢查確認是否有損壞或者確認振動的原因。任何損壞應由授權的維修中心妥善維修或更換。

在產品上開始任何工作之前，請先取出電池組。

勿將用過的電池組與家庭廢棄物混合或燃燒電池。MILWAUKEE 經銷商將接受舊電池以保護環境。

勿將電池組與其他金屬物品一起存放（可能引起短路）。

僅可使用M18系統充電器對M18系統電池進行充電。請勿使用其他系統的電池。

在極端負載或極端溫度下，損壞的電池可能漏出內部酸液。若碰到電池酸液，請即刻用肥皂與清水洗去。若酸液接觸到眼睛，以清水沖洗至少10分鐘後立即就醫。

附加電池安全警告

⚠ 警告！為了減少因短路而導致火災、人身傷害和產品損壞的風險，請勿將產品、電池組或充電器浸沒在液體中或使液體流入其中。腐蝕性或導電性液體（如海水、某些工業化學品、以及漂白劑或含漂白劑的產品等）都會導致短路。

運輸與存放

在存放或運輸之前，請停止產品，取出電池組並讓其冷卻。

清潔本產品上的所有異物。存放在陰涼乾燥、通風良好而且兒童不可進入的地方。遠離腐蝕劑（如花園化學品和除冰鹽）。請勿在室外存放產品。

如果以車輛運輸，確保產品不會轉動或掉落，以免造成人身傷害或產品損壞。

運輸鋰電池

鋰電池須受制於危險品法例的要求。

運送鋰電池必須在符合當地、國家及國際標準及法例的情況下進行。

- 使用者可於陸地上運送電池而毋須受限。
- 第三方負責的商業式鋰電池運送須受制於危險品法例。運送的預備及過程必須由受嚴格訓練的人士進行，亦必須得到專家到場監管。

運輸電池組時：

- 請確保電池接觸終端受到嚴密保護及經過絕緣，防止短路。

- 請確保電池組妥善包裝，防止碰撞磨擦。
- 請勿運輸破裂或洩漏的電池組。

與貨運公司緊密聯繫以獲得進一步資訊。

殘餘風險

即便已按規定使用產品，仍然不可能完全消除某些殘留的風險因素。可能會引起以下危險，操作人員應特別注意以避免發生以下情況：

- 可能因振動造成的傷害。用指定的手柄握住產品，並限制工作時間及暴露。
- 因接觸噪聲導致聽力傷害。佩戴耳罩和限制暴露於噪音中。
- 因工作拋出的碎屑導致的傷害。務必佩戴防護眼鏡，重型長褲、手套及結實的鞋類。

特定使用條件

電動籬笆修剪機適用於戶外。為安全起見，產品必須通過雙手操作，以得到充分的控制。

本產品專為家庭或家用而設計。它旨在切割和修剪樹籬、灌木及類似的植被。

應使用於乾燥及良好照明的環境。本產品非旨在剪草，樹木或樹枝。它不能夠用於樹籬修剪外的用途。

切勿將本產品用於正常使用之外的其他用途。

電池

久未使用的電池必須重新充電後再使用。

超過 50° C (122° F) 的高溫會降低電池的效能。避免暴露於高溫或陽光下（可能導致過熱）。

充電器和電池組的接點處應保持清潔。

為確保最佳電池使用壽命，電池組使用後應再完全充電。

為確保電池的最長壽命，充電完成後，勿將電池匣繼續留在充電器上。

電池儲存時間長於30日：

- 將電池組存放於溫度低於27° C的環境，且避免受潮。
- 將電池組保持在充電量30%-50%的狀態。
- 存放中的電池組應每六個月照常充電一次。

維護

每次使用後，用柔軟的乾布清潔產品。

每次使用後，用硬刷清除刀片上的碎屑。然後在重新安裝刀片保護器之前，小心地塗上防鏽潤滑劑。製造商建議您使用防鏽劑和潤滑劑噴塗以均勻分佈，並降低與刀片接觸造成人身傷害的風險。有關合適噴塗產品的信息，請聯繫我們的MILWAUKEE服務中心。（參見我們的維修/服務地址列表）。

如有需要，想使用前輕輕地潤滑刀片，你可以使用以上方法。

所有螺母、螺栓及螺釘保持緊固，以確保產品處於安全的工作狀態。

檢查產品，並更換磨損或損壞的部件以確保安全。

只能使用 MILWAUKEE 配件和備件。有關合適的噴霧產品的信息，請與其中一個MILWAUKEE服務代理機構聯繫（參見我們的維修/服務地址列表）。

如果需要，可以索取產品的分解圖。諮詢案件時，請您向當地的顧客服務中心提供以下資料：銘牌上的產品序列號及機型。



注意！警告！危險！



啟動產品前，請仔細閱讀本說明。



在產品上開始任何工作之前，請先取出電池組。



使用本產品時務必佩戴護目鏡。



佩戴護耳器。



戴防滑而用於重型工作的手套。



務必穿著防護服和鞋類。



危險！ - 跟電源線保持足夠的距離。



旁觀者跟產品須保持安全距離。



為防止嚴重傷害，請勿觸摸切割刀片。



在下雨時，不要使用產品或將產品留在戶外。



此標籤上顯示認證的聲壓率級為96 dB。

n_v XXXX min⁻¹

每分鐘空載行程 (SPM)



不要將電動工具與家庭垃圾材料一起處置。當電動工具和電池達到使用壽命時，必須單獨收集，並送至環保回收機構。請與當地相關部門或經銷商聯繫，了解回收建議和收集地點。

n_0

在無負載轉速下的衝擊頻率

V

伏特

技术数据

M18 FOPH-HTA

无负载转速	0 - 2800/0 - 3500 min ⁻¹
锯片长度	508 mm
齿距	25 mm
切割容量	25 mm
根据EPTA-Procedure 01/2014的重量	2.6 kg

噪音/振动信息

根据 EN 60745 条文确定的测量值。

器械的标准A-值噪音级为:

声压值(不确定性的测量 K=3 dB(A))	84 dB(A)
声功率值(不确定性的测量 K=3 dB(A))	92.4 dB(A)

佩戴护听器。

依欧盟EN 60745 标准确定的振动总值(三方向矢量和)。

振动值 a _v	3.5 m/s ²
不确定性的测量 K=	0.8 m/s ²

请参阅应用头的操作说明,以取得技术数据及对应特定应用头的多功能主机列表。

警告!

本规程列出的依欧盟EN 60745 标准测量方法测量的振动级也可用于电动工具比较并适合于临时振动负荷估计。该等级可用来初步评估风险。

该振动级代表产品的主要应用。电动工具的其他应用,不正确的工具附件或欠缺维护可造成振动级偏差。此可明显提高工作期间的振动程度。

正确地估计一定工作期间的振动程度也要考虑到产品关闭或接通而不使用的期间。此可明确减少总工作期间的振动程度。

为提高操作人员对振动作用的保护得规定补充安全措施:产品及工具附件的维护、温手、工作过程组织等。

警告! 请仔细阅读这些说明,熟悉控制及产品的正确使用。保存所有警告和说明书以备查阅。

电动篱笆修剪机安全警告

保持身体的所有部位远离刀片。当刀片运作时,切勿移除切割物料或握住将要切割的物料。当关掉产品后,刀片会继续移动。操作篱笆修剪机期间的一时疏忽,可能会导致严重的人身伤害。

当刀片停止及手指远离所有电源开关时,才以把手携带产品。正确地处理产品可减少刀片可能造成的人身伤害。

运输或存放产品时,务必安装刀片盖。正确地处理产品可降低刀片造成人身伤害的风险。

清除卡住的材料或维修设备时,确保所有电源开关均已关闭。清除堵塞物料或维修时意外启动产品,可能会导致严重的人身伤害。

因为刀片可能接触到隐藏的电线,所以只可握持产品的绝缘握持面。切割刀片接触火线可能会导致电动篱笆修剪机裸露的金属部分带电,可能会导致操作人员触电。

保持所有电源线及电缆远离切割区域。电源线或电缆可能隐藏在树篱或灌木丛中,可能会被刀片意外切断。

请勿在恶劣天气条件下(尤其是存在雷击危险时)使用本产品。这有助于降低了遭受雷击的风险。

延长电动篱笆修剪机安全警告

为了降低触电风险,请勿在任何电源线附近使用本产品。使用产品时接触电源线或在电源线附近使用产品,可能会导致严重伤害或触电引致死亡。

务必以双手使用本产品。用双手握住产品以避免失控。

在头顶上操作产品,务必使用头部保护装置。坠落的碎屑可能导致严重的人身伤害。

附加的安全说明

不要让儿童、身体、感觉或精神能力下降的人员或缺乏经验及知识的人,或不熟悉这些指示的人使用产品。当地法规可能会限制操作员的年龄。

使用产品前,先清理工作区域。移除所有物件,例如电线、灯、金属丝或可能被抛出或缠结在切割装置中的线。

检查产品是否有异物,如铁丝网。

切勿在靠近岗位、围栏、建筑物或无法移动使用产品。

慎防抛出的物体。慎防抛出的物体;让所有旁观者、儿童和动物至少距离工作区域15米。

切勿在光线不足的情况下进行操作产品。操作者需要清晰视线的工作区域,以识别潜在的危险。

每次使用前,检查产品。检查紧固件的松动等。确保所有防护装置和把手皆正确安全地连接。使用前更换损坏的部件。检查电池是否有泄漏

切勿以任何方法更改本产品。

切勿让儿童或未经培训的人员使用本产品。

在操作产品时,须佩戴全面的眼部和听力的保护装置。如果于有物体掉落危机的地方工作,请戴上适当的头部保护装置。

束起长发,使其高于肩膀水平,以防止缠结于运动部件。

切勿在疲劳、生病或受酒精、药物或治疗影响下使用本产品。

时刻注意立足点和身体平衡。切勿伸展太远。过度使用会导致失去平衡。

在启动产品之前，请确保切割刀片不会与任何物体接触。

使用篱笆修剪机时，务必用双手握着两只把手。确保操作位置是安全稳妥。制造商不建议使用台阶或梯子。如果需要更高的修剪，请使用延展工具。

注意刀片锋利。处理刀片组件时，请戴上防滑而用于重型操作工作的保护手套。请勿将手或手指放在刀片之间或任何可能被夹住或切割的位置。除非取出电池组，否则不要触摸刀片，也不要对本产品进行维修。

切勿强行于厚的灌木上使用本产品。刀片可能因此打结及减速。倘若刀片减速，需要缩减步幅。

不要尝试切割大于28毫米的茎或枝条，或者显然太大，刀片无法进入进行切割。

使用非动力手锯或以修剪锯修剪大型的茎。

使用听力保护装备会降低听到警示（呼喊或警报）的能力。操作人员必须格外注意工作区域发生的各种情况。

⚠ 警告！如果产品掉落、受到重大冲击或者开始异常振动，请立即停止产品，并检查确认是否有损坏或者确认振动的原因。任何损坏应由授权的维修中心妥善维修或更换。

在产品上开始任何工作之前，请先取出电池组。

勿将用过的电池组与家庭废弃物混合或燃烧电池。美沃奇经销商将接受旧电池以保护环境。

勿将电池组与其他金属物品一起存放（可能引起短路）。

仅可使用M18系统充电器对M18系统电池进行充电。请勿使用其他系统的电池。

在极端负载或极端温度下，损坏的电池可能漏出内部酸液。若碰到电池酸液，请即刻用肥皂与清水洗去。若酸液接触到眼睛，以清水冲洗至少10分钟后立即就医。

附加电池安全警告

⚠ 警告！为了减少因短路而导致火灾、人身伤害和产品损坏的风险，请勿将产品、电池组或充电器浸没在流体中或使流体流入其中。腐蚀性或导电性流体（如海水、某些工业化学品、以及漂白剂或含漂白剂的产品等）都会导致短路。

运输与存放

在存放或运输之前，请停止产品，取出电池组并让其冷却。

清洁本产品上的所有异物。存放在阴凉干燥、通风良好而且儿童不可进入的地方。远离腐蚀剂（如花园化学品和除冰盐）。请勿在室外存放产品。

如果以车辆运输，确保产品不会转动或掉落，以免造成人身伤害或产品损坏。

运输锂电池

锂电池须受制于危险品法例的要求。

运送锂电池必须在符合当地、国家及国际标准及法例的情况下进行。

- 使用者可于陆地上运送电池而毋须受限。
- 第三方负责的商业式锂电池运送须受制于危险品法例。运送的预备及过程必须由受过严格训练的人士进行，亦必须得到专家在场监管。

运输电池组时：

- 请确保电池接触终端受到严密保护及经过绝缘，防止短路。
- 请确保电池组妥善包装，防止碰撞摩擦。
- 请勿运输破裂或泄漏的电池组。

与货运公司紧密联系以获得进一步资讯。

残余风险

即便已按规定使用产品，仍然不能完全消除某些残留的风险因素。可能会引起以下危险，操作人员应特别注意以避免发生以下情况：

- 可能因振动造成的伤害。用指定的手柄握住产品，并限制工作时间及暴露。
- 因接触噪声导致听力伤害。佩戴耳罩和限制暴露于噪音中。
- 因工作抛出的碎屑导致的伤害。务必佩戴防护眼镜，重型长裤、手套及结实的鞋类。

特定使用条件

电动篱笆修剪机适用于户外。为安全起见，产品必须通过双手操作，以得到充份的控制。

本产品专为家庭或家用而设计。它旨在切割和修剪树篱、灌木及类似的植被。

应使用于干燥及良好照明的环境。本产品非旨在剪草，树木或树枝。它不能够用于树篱修剪外的用途。

切勿将本产品用于正常使用之外的其他用途。

电池

久未使用的电池必须重新充电后再使用。

超过 50° C (122° F) 的高温会降低电池的效能。避免暴露于高温或阳光下(可能导致过热)。

充电器和电池组的接点处应保持清洁。

为确保最佳电池使用寿命，电池组使用后应再完全充电。

为确保电池的最长寿命，充电完成后，勿将电池继续留在充电器上。

电池储存时间长于30日：

- 将电池组存放于温度低于27° C的环境，且避免受潮。
- 将电池组保持在充电量30%-50%的状态。
- 存放中的电池组应每六个月照常充电一次。

维护

每次使用后，用柔软的干布清洁产品。

每次使用后，用硬刷清除刀片上的碎屑。然后在重新安装刀片保护器之前，小心地涂上防锈润滑剂。制造商建议您使用防锈剂和润滑剂喷涂以均匀分布，并降低与刀片接触造成人身伤害的风险。有关合适喷涂产品的信息，请联系我们的美沃奇服务中心。（参见我们的维修/服务地址列表）。

如有需要，想使用前轻轻地润滑刀片，你可以使用以上方法。

所有螺母、螺栓及螺钉保持紧固，以确保产品处于安全的工作状态。

检查产品，并更换磨损或损坏的部件以确保安全。

只能使用美沃奇配件和备件。有关合适的喷雾产品的信息，请与其中一个美沃奇服务代理机构联系（参见我们的维修/服务地址列表）。

如果需要，可以索取产品的分解图。咨询案件时，请向您的顾客服务中心提供以下资料：铭牌上的产品序列号和机型。

符号



注意！警告！危险！



启动产品前，请仔细阅读本说明。



在产品上开始任何工作之前，请先取出电池组。



使用本产品时务必佩戴护目镜。



佩戴护听器。



戴防滑而用于重型工作的手套。



务必穿着防护服和鞋类。



危险！ - 跟电源线保持足够的距离。



旁观者跟产品须保持安全距离。



为防止严重伤害，请勿触摸切割刀片。



在下雨时，不要使用产品或将产品留在户外。



此标签上显示认证的声压率级为96 dB。

n_0 XXXX min⁻¹

每分钟空载行程 (SPM)



不要将电动工具与家庭垃圾材料一起处置。当电动工具和电池达到使用寿命时，必须单独收集，并送至环保回收机构。请与当地相关部门或经销商联系，了解回收建议和收集地点。

n_0

在无负载转速下的冲击频率

V

伏特



直流电

기술 데이터

M18 FOPH-HTA

무부하 속도	0-2800/0-3500 min ⁻¹
블레이드 길이	508 mm
톱날 공간	25 mm
절단 용량	25 mm
EPTA 규정 01/2014에 따른 중량	2.6 kg

소음/진동 정보

EN 60745에 따라 판별한 측정 값.

일반적인 톨의 A-가중 소음 레벨:

음압 레벨(불확정 K=3dB(A))	84 dB(A)
음향 파워 레벨(불확정 K=3dB(A))	92.4 dB(A)

커마개를 착용하십시오!

EN 60745에 따라 판별한 전체 진동 값(3개 축의 벡터 합계).

진동 (a _n)	3.5 m/s ²
불확정성 K	0.8 m/s ²

특정 애플리케이션 헤드에 사용 가능한 기술 데이터 및 파워베이스 목록은 애플리케이션 헤드 작동 지침을 참조하십시오.

경고!

본 정보 시트에 제공되어 있는 진동 배출 레벨은 EN 60745에 제공된 표준 시험 절차에 따라 측정되었으며 이를 사용하여 제품을 서로 비교할 수 있습니다. 예비 노출 평가에 이를 사용할 수도 있습니다.

제시된 진동 배출 레벨은 제품에 가해진 주요 진동을 나타냅니다. 하지만 다른 부속품이 있거나 적절히 유지 관리되지 않은 다른 응용 기기에 제품을 사용할 경우, 진동 배출이 다를 수 있습니다. 이는 전체 작동 시간 동안 노출 레벨을 상당히 증가시킬 수 있습니다.

진동 노출 추정 레벨은 제품 전원 차단 시점 또는 제품이 작동하지만 실제로 작업을 수행하지 않을 때 횡수로 고려합니다. 이는 전체 작동 시간 동안 노출 레벨을 상당히 감소시킬 수 있습니다.

추가적인 안전 조치를 파악하여 제품 및 부속품을 유지 관리, 손을 따뜻하게 유지 및 작업 패턴 구성 등 진동 효과로부터 작업자를 보호하십시오.

A 경고! 이 지시사항을 주의하여 읽고 제품 제어 및 올바른 사용 방법에 익숙해져야 합니다. 향후 참조할 수 있도록 경고 문구와 설명서를 잘 보관해 두십시오.

A 무선 재단기 안전 경고

신체의 모든 부위가 블레이드와 닿지 않도록 거리를 유지하십시오. 블레이드가 움직일 때 절단 재료를 빼내거나 잡지 마십시오. 스위치가 차단된 후에 블레이드가 계속 이동합니다. 재단기를 작동하는 동안 부주의하면 심각한 인원 손상이 초래될 수 있습니다.

블레이드가 멈추고 손가락을 모든 전원 스위치에서 멀리 둔 상태에서 손잡이로 제품을 운반하십시오. 제품을 적절히 취급하면 절단기 블레이드로 인해 발생 가능한 인원 부상 위험을 줄일 수 있습니다.

제품을 운송 또는 보관할 경우, 항상 블레이드 덮개를 결합하십시오. 제품을 적절히 취급하면 블레이드로 인해 발생 가능한 인원 부상 위험을 줄일 수 있습니다.

걸린 재료를 청소하거나 장비를 수리할 때 모든 전원 스위치가 차단되었는지 확인하십시오. 걸린 재료를 제거하거나 수리할 때 예기치 않게 제품이 작동하면 심각한 인원 부상이 초래될 수 있습니다.

블레이드가 내부 배선과 접촉할 수 있으므로 절연 그리핑 표면을 통해서만 제품을 잡으십시오. "전기가 흐르는" 배선과 접촉하는 블레이드가 "전기가 흐르는" 헤지 트리머의 금속

부분에 노출되어 작업자에게 전기 쇼크를 유발할 수 있습니다.

모든 전선 및 케이블이 절단 구역과 멀리 두십시오. 전선 또는 케이블은 헤지나 부시에 숨겨져 있어 블레이드에 의해 우발적으로 절단될 수 있습니다.

특히 번개가 칠 위험이 있는 악천후 시에는 장비를 사용하지 마십시오. 이렇게 하면 낙뢰 위험을 줄일 수 있습니다.

A 확장된 재단기 안전 경고

감전 위험을 줄이려면 제품을 전기 라인 근처에서 사용하지 마십시오. 전선과 접촉하거나 가까이에서 사용할 경우 심각한 부상 또는 감전의 원인이 되어 사망에 이를 수 있습니다.

제품을 조작할 때는 항상 두 손을 사용하십시오. 제어력 상실을 방지하기 위해 제품을 양손으로 잡으십시오.

머리 위에서 제품을 조작할 때는 항상 안전모를 착용하십시오. 떨어지는 파편은 심각한 인원 상해를 초래할 수 있습니다.

추가 안전 지침

어린이, 신체, 충동 장애 또는 정신 질환이 있거나 경험과 지식이 부족한 개인 또는 장비 사용 방법을 모르는 개인은 이 전동 공구를 사용할 수 없습니다. 현지 규정에 따라 작업자의 연령이 제한될 수 있습니다.

사용하기 전에 작업 구역을 청소합니다. 튀거나 절단 부위에
기일 수 있는 전선, 조명, 배선 또는 노끈 같은 물건을 치웁니다.
재단기에 철조망 같은 이물질이 없는지 점검합니다.

기동, 팬스, 건물 또는 기타 고정물 근처에서 본 제품을
사용하지 마십시오.

비산하는 물체에 주의하십시오. 다른 사람이나 어린이,
애완동물은 작업 구역에서 15미터 이상 떨어지도록 하십시오.
모든 공구꾼, 어린이 및 동물은 작업장에서 최소 15m 이상
떨어져 있어야 합니다.

조명 상태가 열악한 구역에서 공구를 조작하지 않아야 합니다.
작업자는 잠재적 위험 요소가 없는지 파악하기 위해 작업
구역을 세심하게 살펴야 합니다.

사용하기 전에 제품을 검사합니다. 느슨한 패스너 등이 없는지
점검합니다. 모든 가드 및 핸들이 올바르게 안전하게 부착되어
있는지 확인하십시오. 사용하기 전에 손상된 모든 부품을
교체하십시오. 배터리 팩 누설 상태를 점검합니다.

어떠한 방식으로든 본 제품을 개조하지 않아야 합니다.

어린이나 교육을 이수하지 않은 개인은 본 제품을 사용할 수
없습니다.

보안경과 청력 보호구를 완벽히 착용하고 본 제품을
작동하십시오. 낙하물이 발생할 위험이 있는 곳에서 작업할
경우에는 안전모를 착용해야 합니다.

긴 머리카락은 어깨 높이 위로 오도록 묶거나 올려 고정하여
자칫 움직이는 부품에 걸려들지 않도록 하십시오.

피곤하거나 아플 때 또는 알코올을 섭취하거나 마약 또는
약물을 복용한 상태에서 본 제품을 사용하지 마십시오.

디딤 자세와 균형을 유지하십시오. 경계선을 넘지 마십시오.
너무 긴 거리에 도달하려고 하면 균형감을 잃을 수 있습니다.

본 제품을 사용하기 전 절단 브레이드가 어떠한 물체와
접촉하지 않아야 합니다.

재단기를 조작하는 동안 항상 양손을 사용해 손잡이 2개를
확실히 잡아야 합니다. 조작 위치가 안전한지 확인합니다.
제조업체는 계단이나 사다리를 사용하는 것을 권장하지
않습니다. 보다 높은 곳에서 다듬이질이 필요할 경우, 연장
공구를 사용하십시오.

블레이드는 매우 날카롭습니다. 블레이드 어셈블리 취급 시
견고한 미끄럼 방지용 보호 장갑을 착용하십시오. 블레이드
또는 깎히거나 절단될 수 있는 위치에 손이나 손가락을
위치시키지 마십시오. 배터리 팩을 분리하지 않은 경우
블레이드를 만지거나 제품을 수리하지 않아야 합니다.

본 제품을 두꺼운 관목림에 강제로 통과시키지 않아야 합니다.
이로 인해 블레이드가 끼여 속도가 저하될 수 있습니다.
블레이드 속도가 저하되면 작업 속도 또한 늦어집니다.

28mm보다 크거나 절단 브레이드에 날기에 너무 큰 줄기나
가지를 절단하려고 시도하지 마십시오.

비 전동식 수동 톱이나 전동톱을 사용하여 큰 줄기를
자르십시오.

청력 보호 장치를 착용하면 청력 경보음(다른 작업자의 외침
또는 알람)을 들을 수 있는 능력이 저하될 수 있습니다.
작업자는 작업 구역에서 무슨 일이 발생하는지 세심한 주의를
기울여야 합니다.

A 경고! 제품을 떨어뜨리고, 상당한 충격을 경험하거나
비정상적인 진동이 발생할 경우, 제품 사용을 즉시 중단하고
손상 여부를 검사하거나 진동 원인을 파악합니다. 손상된
부품이 있으면 공인 서비스 센터에서 적절한 수리 또는 교체
서비스를 받아야 합니다.

제품 사용 전, 배터리 팩을 제거하십시오. 제거하십시오.

사용된 배터리 팩을 가정용 쓰레기와 함께 폐기하거나, 태우지
마십시오. 밀워키는 환경 보호를 위해 오래된 배터리 팩을
회수하는 것을 권장합니다.

배터리 팩을 금속 물체와 함께 보관하지 마십시오(단락 회로

위험).

System M18 배터리 팩을 충전하려면 System M18 충전기만
사용하십시오. 다른 시스템의 배터리 팩을 사용하지 마십시오.
극심한 부하 또는 극심한 온도 조건에서 손상된 배터리로부터
배터리 산이 누출될 수 있습니다. 배터리 산과 접촉한 경우,
비누물로 즉시 세척하십시오. 눈과 접촉할 경우, 최소 10분
동안 철저히 세정한 후 즉각적인 의료 조치를 취하십시오.

추가 배터리 안전 주의 사항

A 경고! 단락 회로로 인한 화재, 작업자 부상 및 제품
손상 위험을 줄이려면 톱, 배터리 팩 또는 충전기를 유체에
침수시키거나 유체가 내부로 흘러들어가지 않도록 해야
합니다. 해수, 특정한 산업용 화학 물질 및 표백제 또는 표백제
함유 제품 같은 부식성 또는 전도성 유체 등은 단락 회로를
야기할 수 있습니다.

운송 및 보관

제품 작동을 멈추고 배터리를 분리한 다음, 충분히 식힌 후에
보관하거나 운송하십시오.

제품에 묻은 모든 이물질을 청소하십시오. 어린이의 손이 닿지
않는 건냉하고 통풍이 잘 되는 곳에 제품을 보관하십시오.
조경용 화학 물질이나 제빙염과 같은 부식성 물질에서 떨어진
곳에 보관하십시오. 실외에 보관하지 마십시오.

차량으로 운송하려면 제품이 움직이거나 떨어지지 않도록
잘 고정하여 사람이 다치거나 제품이 손상되지 않도록
조치하십시오.

리튬 배터리의 운송

리튬 이온 배터리는 위험물 법을 요건의 적용을 받습니다.

리튬 이온 배터리는 지역, 국가 및 국제 조항 및 규정에 따라
운반해야 합니다.

- 사용자는 추가 요건 없이 배터리를 도로를 통해 운반할 수
있습니다.
- 제3자가 리튬 이온 배터리를 상용으로 운송할 때에는
위험물 규정의 적용을 받습니다. 운송 준비 및 운송 작업은
적절한 교육을 이수한 개인만 수행해야 하고 그 과정에 해당
전문가가 동행해야 합니다.

배터리 운송 시 :

- 배터리 접촉면을 보호 및 차단하여 합선 위험을
방지하십시오.
 - 배터리 팩이 포장 내에서 움직이지 않도록 고정하십시오.
 - 균열 또는 누출이 있는 배터리는 운송하지 마십시오.
- 추가 지침은 운송 회사에 확인하십시오.

잔류 위험

제품을 설명서대로 사용하더라도 위험 요소를 완전히 제거하는
것은 여전히 불가능합니다.

사용 중에 다음과 같은 위험이 발생할 수 있으며, 작업자는
위험 상황을 피하기 위해 특별한 주의를 기울여야 합니다.

- 진동으로 인한 부상이 생길 수 있습니다. 이에 손잡이를
잘잡고, 작업시간과 노출을 제한하십시오.
- 소음에 노출되면 청력 손상을 입을 수 있습니다. 청력
보호구를 착용하고 소음에 대한 노출을 제한하십시오.
- 비산하는 파편으로 인한 부상 항상 눈 보호 장치, 길이가 긴
바지, 장갑 및 안전화를 착용하십시오.

지정된 사용 조건

무선 재단기는 실외 전용입니다. 안전상의 이유 때문에 양손 조작 방법을 통해 제품을 적절히 제어해야 합니다.

본 제품은 가정용으로 설계되었습니다. 본 제품은 울타리, 관목림 및 이와 유사한 식물을 절단하고 다듬는 데 사용합니다. 건조하고 조명 조건이 양호한 곳에서 사용해야 합니다.

풀, 나무 또는 가지를 자르는 데 사용하지 않아야 합니다. 울타리 다듬이질 이외의 다른 목적으로 사용하지 않아야 합니다.

이 제품을 정상적인 사용법 이외의 방법으로 사용하지 마십시오.

배터리

장시간 사용하지 않은 배터리 팩은 사용하기 전에 충전해야 합니다.

50°C(122°F)를 초과하는 온도는 배터리 팩의 성능을 저하시킵니다. 열이나 햇빛에 오래 노출시키지 마십시오(과열 위험).

충전기 접점 및 배터리 팩을 청결한 상태로 유지해야 합니다. 최적의 수명을 보장하려면 사용한 후에 배터리 팩을 완전히 충전해야 합니다.

배터리 수명을 최대한 연장하려면 완전히 충전된 경우 충전기에서 배터리 팩을 제거하십시오.

30일 이상 배터리 팩을 보관하는 경우:

- 온도가 27°C 이하이며 습기가 없는 장소에 배터리 팩을 보관하십시오.
- 배터리 팩을 30% - 50% 충전된 조건으로 보관하십시오.
- 보관하지 6개월이 경과할 때마다 팩을 정상적으로 충전하십시오.

유지 관리

매번 사용한 후에는 부드럽고 마른 천으로 제품 본체와 손잡이를 청소하십시오.

매번 사용한 후에는 뾰족한 솔로 블레이드에서 잔해물을 제거한 다음, 블레이드 보호 장치를 다시 결합하기 전에 녹 방지 윤활유를 주의하여 바릅니다. 제조업체는 녹 방지제 및 윤활유 분무기를 사용하여 균일하게 바를 것을 권장합니다. 그러면 블레이드 접촉으로 인한 인원 부상 위험을 줄일 수 있습니다. 적합한 분무 제품에 대한 정보는 MILWAUKEE 서비스 대리점 중 한 곳에 문의하십시오. (보증/서비스 센터 주소 목록을 살펴보십시오).

필요할 경우 위에 언급한 방법을 활용하여 블레이드를 약간 윤활시킨 후 사용하십시오.

기계가 안전한 작업 상태에 있도록 모든 너트, 볼트, 스크류를 꼭 조인 상태로 유지하십시오.

안전을 위해 기계를 검사하고 낡고 하자가 있는 부분을 교체하십시오.

반드시 MILWAUKEE 부속품과 MILWAUKEE 예비품을 사용하십시오. 설명서에 제공되어 있지 않은 구성품을 교체할 필요가 경우 MILWAUKEE 서비스 센터 중 한 곳에 연락하십시오(보증/서비스 센터 주소 목록을 참조).

MILWAUKEE 액세서리와 부속품만 사용하십시오. 언급되지 않은 부품을 교체해야 하는 경우, MILWAUKEE 서비스 센터에 문의하십시오. (보증/서비스 주소 목록 참조). 필요 시, 제품 분해도를 주문할 수 있습니다. 가까운 서비스 대리점에서 라벨에 인쇄된 제품 유형을 알려주고 제품 분해도를 주문하십시오.

기호



주의! 경고! 위험!



제품 사용 전, 설명서를 자세히 읽으십시오.



제품 사용 전, 배터리 팩을 제거하십시오.



제품을 사용할 때 항상 보안경을 착용하십시오.



귀마개를 착용하십시오!



견고한 미끄럼 방지 장갑을 착용하십시오.



항상 보호복과 안전화를 착용하십시오.



위험! - 전기 전선과 충분한 거리를 유지하십시오.



주변 사람들이 제품과 안전 거리를 유지하도록 하십시오.



심각한 부상을 방지하려면 절단용 블레이드를 만지지 마십시오.



비 속에서 사용하거나 비가 오는 동안 실외에 놓아두지 마십시오.



보증된 음력 레벨은 96dB입니다.

n_0 XXXX min⁻¹

분당 무부하 스트로크 (SPM)



전동 공구, 배터리/충전식 배터리는 가정용 쓰레기와 함께 버리지 마십시오. 수명이 다한 전동 공구와 배터리는 별도로 수거하여 환경적으로 호환되는 재생 시설로 반품해야 합니다. 재활용에 관한 조언과 수거 지점에 대해서는 지방 정부당국이나 소매업자에게 확인하십시오.

n_0

무부하 상태에서의 스트로크 레이트(분당 스트로크)

V

전압(볼트)

≡≡≡

직류

ความเร็วโดยไม่มีภาระโหลด	0–2800/0–3500 min ⁻¹
ความยาวใบเลื่อย	508 mm
ระยะห่างของฟัน	25 mm
ประสิทธิภาพการตัด	25 mm
น้ำหนักตามขั้นตอนของ EPTA 01/2014	2.6 kg

ข้อมูลเกี่ยวกับเสียงรบกวน/การสั่น

ค่าที่วัดที่กำหนดตาม EN 60745

โดยทั่วไป ระดับเสียงรบกวน A ตามน้ำหนักของเครื่องมือมีค่าเท่ากับ:

ระดับความดันเสียง (ค่า K แปรผัน = 3dB(A))	84 dB(A)
ระดับกำลังเสียง (ค่า K แปรผัน = 3dB(A))	92.4 dB(A)

อย่าลืมใส่อุปกรณ์ป้องกัน!

ค่าการสั่นสะเทือนรวม (ผลรวมเวกเตอร์ในสามแกน) ที่กำหนดตาม EN 60745

การสั่น (a _h)	3.5 m/s ²
ค่า K แปรผัน	0.8 m/s ²

สำหรับข้อมูลทางเทคนิคและรายชื่อฐานพลังงานที่สามารถใช้ร่วมกับหัวสำหรับการใช้งานที่เฉพาะเจาะจง โปรดดูที่คู่มือการใช้งานของหัวสำหรับการใช้งานนั้น

คำเตือน!

ระดับการสั่นสะเทือนที่ให้อ่านในเอกสารนี้ได้รับการวัดให้สอดคล้องกับการทดสอบมาตรฐานตาม EN 60745 และอาจใช้เปรียบเทียบผลิตภัณฑ์หนึ่งกับอีกผลิตภัณฑ์หนึ่ง ซึ่งอาจใช้ในการประเมินการสั่นสะเทือนเบื้องต้น
ระดับการสั่นสะเทือนที่แจ้งไว้คือระดับที่เกิดขึ้นจากการใช้งานหลัก อย่างไรก็ตาม หากใช้งานผลิตภัณฑ์ในลักษณะอื่น ด้วยอุปกรณ์เสริมที่แตกต่างจากการสั่นสะเทือนที่แจ้งไว้หรือขาดการบำรุงรักษาที่เหมาะสม แรงสั่นสะเทือนที่ส่งออกมาอาจมีการเปลี่ยนแปลงไป ซึ่งอาจเพิ่มระดับการสั่นสะเทือนขึ้นอย่างมากตลอดช่วงการทำงานทั้งหมด
ให้พิจารณาประเมินระดับความเสี่ยงของการสั่นทุกครั้งขณะเปิดเครื่องของอุปกรณ์แล้วหรือเมื่อเปิดเครื่องของอุปกรณ์แล้วแต่ยังไม่ได้ใช้งาน ซึ่งอาจลดระดับการสั่นสะเทือนลงอย่างมากตลอดช่วงการทำงานทั้งหมด
อ่านมาตรการด้านความปลอดภัยเพิ่มเติมเพื่อปกป้องผู้ใช้จากผลของแรงสั่นสะเทือน เช่น การบำรุงรักษาผลิตภัณฑ์และอุปกรณ์เสริม การคอยดูแลให้มืออุ่น และการวางแผนรูปแบบการทำงานให้เป็นระเบียบ

⚠ คำเตือน! อ่านคู่มืออย่างระมัดระวังและทำความเข้าใจกับข้อความและการใช้งานผลิตภัณฑ์อย่างเหมาะสม โปรดเก็บเอกสารคำเตือนและคำแนะนำทั้งหมดเพื่อใช้อ้างอิงในอนาคต

⚠ คำเตือนด้านความปลอดภัยในการใช้เลื่อยตัดแต่งฟุ่มไม้ไร้สาย

ระวังให้ทุกส่วนของร่างกายอยู่ห่างจากใบมีด อย่านำวัสดุที่ตัดออกหรือก๊อววัสดุที่จะตัดขณะใบเลื่อยกำลังหมุน ใบมีดยังคงหมุนอย่างต่อเนื่องหลังจากตัดของอุปกรณ์แล้ว การไม่ระมัดระวังขณะใช้งานเลื่อยตัดแต่งฟุ่มไม้เพียงชั่วขณะเดียวก็อาจทำให้เกิดการบาดเจ็บสาหัสได้

ถืออุปกรณ์โดยรอให้ใบมีดหยุดหมุนแล้วและให้มืออยู่ห่างจากสวิตช์เปิด/ปิดทั้งหมด การจัดการอุปกรณ์อย่างเหมาะสมจะช่วยลดโอกาสการบาดเจ็บจากใบมีดของเครื่องตัดได้

เมื่อยังส่งอุปกรณ์หรือจัดเก็บอุปกรณ์ ให้ใส่ตัวครอบใบมีดเข้าไปเสมอ การจัดการอุปกรณ์อย่างเหมาะสมจะช่วยลดโอกาสการบาดเจ็บจากใบมีดได้

ตรวจให้แน่ใจว่าได้ปิดสวิตช์เปิด/ปิดทั้งหมดแล้วในขณะที่ทำการจัดการกับวัสดุที่ติดขัดหรือการซ่อมแซมอุปกรณ์ การเปิดทำงานอุปกรณ์โดยไม่คาดหมายในระหว่างการจัดการกับวัสดุที่ติดขัดหรือการซ่อมแซมอาจก่อให้เกิดการบาดเจ็บที่รุนแรงได้

จับยึดอุปกรณ์โดยจับบริเวณที่นิ้วที่หุ้มฉนวนเท่านั้น เนื่องจากใบมีดอาจสัมผัสกับสายไฟที่ซ่อนอยู่ได้ ใบมีดที่สัมผัสกับสายไฟที่ “มีกระแสไฟฟ้า” อาจทำให้ชิ้นส่วนโลหะของอุปกรณ์ตัดแต่งขอบฟุ่ม ไม้ที่สัมผัส

ถูก “มีกระแสไฟฟ้า” และอาจทำให้ผู้ใช้งานถูกไฟฟ้าช็อตได้

จัดเก็บสายไฟและสายเคเบิลทั้งหมดให้ห่างจากพื้นที่การตัดเสมอ สายไฟหรือสายเคเบิลอาจซ่อนตัวอยู่ในฟุ่มไม้หรือฟุ่มหญ้า และอาจถูกใบมีดตัดโดยไม่ตั้งใจ

หลีกเลี่ยงการใช้เครื่องจักรในสภาพอากาศที่เลวร้าย โดยเฉพาะอย่างยิ่งในช่วงที่เสียงต่อการเกิดฟ้าผ่า การดำเนินการนี้จะลดความเสี่ยงของปัญหาที่เกิดจากฟ้าผ่าได้

⚠ คำเตือนด้านความปลอดภัยในการใช้อุปกรณ์ตัดแต่งฟุ่มไม้แบบต่อขยาย

เพื่อลดความเสี่ยงของการตัดกระแสไฟฟ้า ห้ามใช้งานอุปกรณ์นี้ใกล้กับสายส่งไฟฟ้า การสัมผัสกับการใช้งานใกล้กับสายส่งไฟฟ้าอาจก่อให้เกิดการบาดเจ็บรุนแรงหรือไฟฟ้าดูดที่ถึงแก่ชีวิตได้

ให้ใช้อุปกรณ์นี้ด้วยสองมือเสมอ จัดยึดตัวอุปกรณ์ด้วยมือทั้งสองเพื่อป้องกันการสูญเสียการควบคุม

ให้ใช้เครื่องป้องกันศีรษะเมื่อใช้งานอุปกรณ์นี้เหนือระดับศีรษะเสมอ เศษวัสดุที่หล่นลงมาอาจทำให้ได้รับบาดเจ็บรุนแรงได้

คำแนะนำด้านความปลอดภัยเพิ่มเติม

ห้ามให้เด็ก บุคคลที่มีความบกพร่องทางกาย การรับรู้ หรือทางจิต ตลอดจนบุคคลที่ขาดประสบการณ์และความรู้ หรือบุคคลที่ไม่คุ้นเคยกับคำแนะนำเหล่านี้ใช้งานเครื่องมือ อาจมีการจำกัดอายุผู้ใช้งานข้อกำหนดในท้องถิ่น

ทำความสะอาดบริเวณที่ทำงานให้โล่งทุกครั้งก่อนการใช้งาน นำวัตถุทั้งหมด เช่น สายไฟ หลอดไฟ ลวด หรือเชือกต่างๆ ที่อาจกระเด็นหรือพันกับเครื่องมือตัดออกไป

ตรวจสอบดูพุ่มไม้ว่ามีวัตถุแปลกปลอมเช่น รั้วลวดหนาม หรือไม้

ห้ามใช้ผลิตภัณฑ์นี้ใกล้กับเสา รั้ว อาคาร หรือวัตถุอื่น ๆ ที่เคลื่อนย้ายไม่ได้

ระมัดระวังวัตถุที่ปลิวหรือกระเด็น คอยดูบุคคลใกล้เคียง เด็ก และสัตว์อื่น ๆ ในรัศมี 15 เมตร จากพื้นที่ทำงาน

ห้ามใช้งานในบริเวณที่มีแสงไฟน้อย ผู้ใช้งานต้องสามารถมองเห็นพื้นที่ทำงานได้อย่างชัดเจนเพื่อระวังอันตรายที่อาจเกิดขึ้น

ตรวจสอบผลิตภัณฑ์ก่อนใช้งาน ตรวจสอบว่าตัวยึดหลวมหรือไม่ ฯลฯ ตรวจสอบให้แน่ใจว่าได้ติดตั้งอุปกรณ์ป้องกันและที่จับไว้อย่างถูกต้องและแน่นหนา เปลี่ยนชิ้นส่วนที่เสียหายก่อนการใช้งาน ตรวจสอบชุดแบตเตอรี่ว่ามีการรั่วไหลหรือไม่

ห้ามตัดแปลงผลิตภัณฑ์อย่างเด็ดขาด

ห้ามเด็กหรือบุคคลที่ไม่ได้รับการฝึกฝนใช้งานผลิตภัณฑ์

สวมแว่นนิรภัยและอุปกรณ์ป้องกันการได้ยินทุกครั้งก่อนใช้ผลิตภัณฑ์ หากปฏิบัติงานในพื้นที่ซึ่งอาจมีวัตถุตกลงมาจากที่สูงได้ ให้สวมหมวกนิรภัยด้วย ระวังลมที่อาจทำให้หูย้อยเหนือหัวไหล่เพื่อป้องกันไม่ให้ลมเข้าไปติดฟันในชิ้นส่วนที่มีการเคลื่อนไหว

ห้ามใช้อุปกรณ์เมื่อคุณเหนื่อยล้า ป่วย หรืออยู่ภายใต้ฤทธิ์สุรา ยาเสพติด หรือยารักษาโรค

ยื่นให้มันและสมดุค ยาอ้อม การเอื่อมตัวมากเกินไปอาจทำให้สูญเสียสมดุคได้

ตรวจสอบให้แน่ใจว่าใบเลื่อยจะไม่สัมผัสกับสิ่งใดก่อนใช้งานผลิตภัณฑ์

ขณะที่ใช้งานเลื่อยตัดแต่งพุ่มไม้ จะต้องจับที่จับทั้งสองข้างด้วยมือทั้งสองข้างให้แน่นอยู่เสมอ ต้องแน่ใจว่าจุดที่ทำงานนั้นมีความปลอดภัย ผู้ผลิตไม่แนะนำให้ใช้ชิ้นสำหรับเหยียบหรือบันได หากจำเป็นจะต้องติดตั้งบริเวณที่อยู่สูง โปรดใช้เครื่องมือขยายระยะ

ใบเลื่อยมีความแหลมคมมาก โปรดสวมถุงมือนิรภัยกันเส้นสำหรับงานหนัก ขณะจัดการกับขุดไม่มีด ห้ามเอามือหรือนิ้วสอดระหว่างใบเลื่อยหรือในตำแหน่งใดๆ ที่อาจถูกบาดหรือตัดได้ ห้ามสัมผัสใบเลื่อยหรือบำรุงรักษาผลิตภัณฑ์จนกว่าจะถอดชุดแบตเตอรี่ออก

ห้ามเดินใช้ผลิตภัณฑ์ตัดพุ่มไม้หนา เพราะอาจทำให้ใบเลื่อยงอและหมุนข้างได้ โปรดลดความเร็วลงหากไม่มีดหมุนข้าง

ห้ามพยายามตัดกิ่งหรือก้านที่มีขนาดใหญ่กว่า 28 มม. หรือกิ่งก้านใดๆ ที่เห็นได้ชัดว่ามีขนาดใหญ่เกินกว่าที่ใบเลื่อยจะเลื่อยเข้าได้

ใช้เลื่อยตัดแต่งพุ่มไม้หรือเลื่อยมือที่ไม่ใช้ไฟฟ้าเพื่อเลื่อยกิ่งที่มีขนาดใหญ่

การใช้อุปกรณ์ป้องกันการได้ยินจะลดความสามารถในการได้ยินคำเตือน (เสียงตะโกนหรือสัญญาณเตือน) ผู้ใช้งานต้องให้ความระมัดระวังเป็นพิเศษกับสิ่งที่เกิดขึ้นในพื้นที่ทำงาน

⚠ คำเตือน! หากทำผลิตภัณฑ์หล่น เกิดการกระแทกหรือชนอย่างรุนแรงหรือเริ่มสันผิวดกปิด โปรดหยุดใช้งานทันทีและตรวจสอบความเสียหายหรือตรวจหาสาเหตุของการสั่นสะเทือนดังกล่าว หากมีส่วนใดๆ ที่ได้รับความเสียหาย ควรนำไปส่งให้ ศูนย์บริการ ที่ได้รับอนุญาต ดำเนินการซ่อมแซมหรือเปลี่ยน

ถอดชุดแบตเตอรี่ออกก่อนเริ่มกระทำการใด ๆ กับผลิตภัณฑ์

ห้ามทิ้งแบตเตอรี่ที่ใช้แล้วกับขยะรีไซเคิลหรือโดยการเผาทำลาย ผู้แทนจำหน่ายของ MILWAUKEE รับแบตเตอรี่เก่าเพื่อรักษาสิ่งแวดล้อม

ไม่เก็บชุดแบตเตอรี่ไว้รวมกับวัตถุอื่นที่เป็นโลหะ (เสี่ยงต่อการลัดวงจร)

ชาร์จชุดแบตเตอรี่ System M18 ด้วยตัวชาร์จสำหรับ System M18 เท่านั้น อย่าใช้แบตเตอรี่จากระบบอื่น ๆ

กรดแบตเตอรี่อาจรั่วซึมจากแบตเตอรี่ที่เสียหายภายใต้อุณหภูมิสูงหรือการใช้งานที่หนักมากเกินไป หากสัมผัสกับกรดแบตเตอรี่ ให้ล้างออกทันทีด้วยน้ำสะอาด หากกรดแบตเตอรี่เข้าตา ล้างตาให้ทั่วด้วยน้ำอย่างน้อย 10 นาทีและไปพบแพทย์ทันที

คำเตือนเพิ่มเติมเกี่ยวกับความปลอดภัยของแบตเตอรี่

⚠ คำเตือน! วิธีลดความเสี่ยงในการเกิดไฟไหม้ การบาดเจ็บส่วนบุคคล และความเสี่ยงหายต่อผลิตภัณฑ์ จากการลัดวงจร อย่างจุ่มเครื่องมือ ก้อน

แบตเตอรี่ หรือเครื่องชาร์จไฟลงในของเหลวหรือปล่อยให้ของเหลวซึมเข้าสู่ภายใน ของเหลวที่มีฤทธิ์กัดกร่อนหรือนำไฟฟ้าอาจก่อให้เกิดการลัดวงจรได้ เช่น น้ำทะเล สารเคมีทางอุตสาหกรรมบางชนิด และผลิตภัณฑ์ฟอสฟอรีนหรือมีส่วนผสมการฟอสฟอรีน เป็นต้น

การขนย้ายและการจัดเก็บ

หยุดใช้งานผลิตภัณฑ์ นำแบตเตอรี่ออก และปล่อยให้เย็นก่อนจัดเก็บหรือขนย้าย

ทำความสะอาดวัตถุแปลกปลอมทั้งหมดออกจากผลิตภัณฑ์ จัดเก็บไว้ในที่แห้งและเย็น และสามารถระบายอากาศได้ดี ซึ่งเด็ก ๆ ไม่สามารถเข้าถึงได้ เก็บไว้ในที่ห่างจากสารที่มีฤทธิ์กัดกร่อน เช่น สารเคมีทำสวนและ เกลือ ละลายน้ำแข็ง อย่าจัดเก็บไว้ใกล้แสงแจ้ง

หากต้องการขนย้ายโดยยานพาหนะ ให้ยึดผลิตภัณฑ์ไว้โดยอย่าให้สามารถขยับหรือตกลงได้ เพื่อป้องกันไม่ให้ผู้ใช้ได้รับบาดเจ็บหรือผลิตภัณฑ์เสียหาย

การเคลื่อนย้ายแบตเตอรี่ลิเทียม

แบตเตอรี่ลิเทียมไอออนอยู่ภายใต้ข้อกำหนดตามกฎหมายของสินค้าอันตราย

การเคลื่อนย้ายแบตเตอรี่ลิเทียมไอออนจะต้องดำเนินการตามข้อกำหนดและกฎระเบียบทั้งในระดับท้องถิ่น ประเทศ และระหว่างประเทศ

- ผู้ใช้สามารถขนส่งแบตเตอรี่ทางขนส่งได้โดยไม่มีข้อกำหนดใดๆ เพิ่มเติม
- การขนส่งแบตเตอรี่ลิเทียมไอออนเชิงพาณิชย์โดยนิติบุคคลอื่นต้องดำเนินการภายใต้กฎระเบียบว่าด้วยสินค้าที่มีอันตราย การเตรียมการขนส่งและการขนส่งต้องดำเนินการโดยบุคลากรที่ผ่านการฝึกอบรมมาแล้วเท่านั้น และในระหว่างดำเนินการต้องมีผู้เชี่ยวชาญที่เกี่ยวข้องคอยกำกับดูแล

เมื่อขนย้ายแบตเตอรี่:

- ตรวจสอบให้แน่ใจว่าขั้วต่อแบตเตอรี่ได้รับการปกป้องและหุ้มฉนวนเพื่อป้องกันไฟฟ้าลัดวงจร
- โปรดตรวจดูให้แน่ใจว่าแบตเตอรี่ได้รับการบรรจุหีบห่ออย่างมั่นคงเพื่อป้องกันการขยับเขยื้อน
- ห้ามเคลื่อนย้ายแบตเตอรี่ที่แตกหรือรั่ว

ตรวจสอบกับบริษัทจัดส่งเพื่อขอคำแนะนำเพิ่มเติม

ความเสี่ยงที่เหลือน

ถึงแม้เครื่องมือจะได้รับการใช้ตามที่กำหนด แต่ก็ไม่สามารถกำจัดปัจจัยความเสี่ยงที่หลงเหลืออยู่ได้ อัตราตายต่อไปนี้อาจเกิดขึ้นในการใช้งานและผู้ดำเนินการควรให้ความสนใจเป็นพิเศษเพื่อหลีกเลี่ยงกรณีต่อไปนี้

- การบาดเจ็บที่เกิดจากแรงสั่นสะเทือน จับบริเวณที่จับเฉพาะของผลิตภัณฑ์และอย่าใช้งานติดต่อกันเป็นเวลานาน
- เสียงดังเกินไปอาจทำให้สูญเสียความสามารถในการได้ยิน สวมอุปกรณ์ป้องกันการได้ยินและจำกัดระยะเวลาการได้ยิน
- การบาดเจ็บเนื่องจากเศษวัสดุที่กระเด็น สวมใส่อุปกรณ์ป้องกันดวงตา กางเกงขายาวที่มีความหนา ถุงมือและรองเท้าที่แข็งแรงทนทานตลอดเวลา

สภาพการใช้งานที่กำหนด

เลื่อยตัดแต่งพุ่มไม้ไร้สายนี้ออกแบบมาสำหรับการใช้งานภายนอกเท่านั้น เพื่อความปลอดภัย ต้องควบคุมผลิตภัณฑ์อย่างเหมาะสมโดยใช้มือทั้งสองข้างเท่านั้น

ผลิตภัณฑ์นี้ออกแบบมาเพื่อการใช้งานในครัวเรือน โดยมีวัตถุประสงค์เพื่อตัดต้นไม้พุ่ม ไม้ขนาดเล็ก และต้นไม้อายุไม่เกิน 10 ปี

การใช้งานผลิตภัณฑ์ในสภาพแวดล้อมที่แห้งและมีแสงสว่างเพียงพอ

ผลิตภัณฑ์นี้ไม่ได้ออกแบบเพื่อตัดหญ้า ต้นไม้ หรือกิ่งก้านต้นไม้อื่นๆ ไม่ควรใช้งานสำหรับวัตถุประสงค์อื่นนอกเหนือจากการตัดแต่งพุ่มไม้

ห้ามใช้ผลิตภัณฑ์นี้นอกเหนือไปจากการใช้งานแบบปกติ

แบตเตอรี่

ชุดแบตเตอรี่ใหม่มีขีดความจุไหลลดเต็มหลังจากการชาร์จและ ปลอ่ย 4-5 ครั้ง ควรชาร์จชุดแบตเตอรี่ที่ยังไม่ได้ถูกนำมาใช้ ระยะหนึ่งก่อน การใช้งาน ประสิทธิภาพของชุดแบตเตอรี่จะลดลงหากอุณหภูมิสูงกว่า 50°C (122°F) หากเสียงไม่ผิดปกติแสดงแดดหรือความร้อนเป็นเวลานาน (เสี่ยงต่อความร้อนเกิน)

ต้องหมั่นดูแลความสะอาดหน้าสัมผัสตัวชาร์จกับชุดแบตเตอรี่ เพื่อยืดอายุการใช้งาน ควรชาร์จแบตเตอรี่ให้เต็มหลังการใช้งาน เพื่อรักษาอายุแบตเตอรี่ให้ยาวนานที่สุด ให้ถอดชุดแบตเตอรี่ออกจากตัวชาร์จเมื่อชาร์จไฟเต็ม

สำหรับชุดแบตเตอรี่ที่ต้องการเก็บไว้นานกว่า 30 วัน:

- เก็บชุดแบตเตอรี่ไว้ที่อุณหภูมิต่ำกว่า 27°C และหลีกเลี่ยงความร้อน
- เก็บชุดแบตเตอรี่ไว้ที่ประจ 30% - 50%
- ให้ชาร์จแบตเตอรี่ตามปกติทุกหกเดือนที่เก็บ

การบำรุงรักษา

หลังการใช้งานแต่ละครั้ง ให้ทำความสะอาดตัวเครื่องและมือจับของผลิตภัณฑ์ด้วยผ้าแห้งที่อ่อนนุ่ม

หลังการใช้งานแต่ละครั้ง ให้กำจัดเศษวัสดุออกจากใบเลื่อยด้วยแปรงแข็ง แล้วจึงทาน้ำมันหล่อลื่นเพื่อป้องกันสนิมอย่างระมัดระวังก่อนจะสวมปลอกใบเลื่อยกลับคืน ผู้ผลิตขอแนะนำให้คุณใช้น้ำมันป้องกันสนิมและน้ำมันหล่อลื่นแบบสเปรย์เพื่อการกระจายตัวที่ดี และลดความเสี่ยงที่จะได้รับการบาดเจ็บจากการสัมผัสกับใบเลื่อย สำหรับข้อมูลเกี่ยวกับผลิตภัณฑ์การพ่นสเปรย์ที่เหมาะสม โปรดติดต่อกับศูนย์บริการ MILWAUKEE ใกล้บ้าน (ดูรายการที่อยู่ศูนย์การรับประกัน/ศูนย์บริการของเรา)

หากจำเป็น คุณอาจต้องหล่อลื่นใบมีดเล็กน้อยก่อนการใช้งานโดยใช้วิธีการข้างต้น

ให้อี้อัด สลักและสกรูชิ้นอย่างแน่นหนาเพื่อให้แน่ใจว่าเครื่องอยู่ในสภาพที่ทำงานได้อย่างปลอดภัย

ตรวจสอบเครื่องและเปลี่ยนชิ้นส่วนที่สึกหรอหรือเสียหายเพื่อความปลอดภัย ตรวจสอบสกรูและขันส่วนสำรองของ MILWAUKEE เท่านั้น หากจำเป็น ต้องเปลี่ยนชิ้นส่วนที่ไม่ได้ระบุไว้ข้างต้น โปรดติดต่อพนักงานบริการของ MILWAUKEE (โปรดดูรายชื่อร้านรับประกัน/บริการของเรา)

ท่านสามารถส่งภาพกระจายชิ้นส่วนประกอบของผลิตภัณฑ์ได้ หากต้องการ โปรดระบุประเภทผลิตภัณฑ์ที่พิมพ์รวมถึงหมายเลขอะไหล่และรุ่นผลิตภัณฑ์ตัวแทนบริการภายในท้องถิ่นของคุณ

เครื่องหมาย



ระวัง! คำเตือน! อันตราย!



โปรดอ่านคำแนะนำอย่างระมัดระวังก่อนเริ่มใช้เครื่องมือ



ถอดชุดแบตเตอรี่ออกก่อนเริ่มทำการใด ๆ กับผลิตภัณฑ์



สวมแว่นตานิรภัยทุกครั้งที่ใช้ผลิตภัณฑ์นี้



โปรดสวมอุปกรณ์ปกป้องการได้ยิน



สวมถุงมือกันสั่นสำหรับงานหนัก



สวมชุดและรองเท้าป้องกันเสมอ



อันตราย! - รักษาระยะห่างจากสายส่งไฟฟ้าที่เพียงพอเสมอ



คอยรักษาระยะห่างที่ปลอดภัยจากผลิตภัณฑ์นี้สำหรับบุคคลที่ยืนมอง



อย่าสัมผัสใบเลื่อยที่กำลังตัดอยู่เพื่อป้องกันการบาดเจ็บสาหัส



อย่าใช้ในขณะที่มีฝนตกหรือวางไว้ในที่ร่มในขณะที่มีฝนตก



ระดับค่าเสียงที่รับรองคือ 96 เดซิเบล

n_0 XXXX min⁻¹

จังหวะที่ไม่มีโหลดต่อนาที (SPM)



อย่าทิ้งเครื่องมือไฟฟ้า แบตเตอรี่ แบตเตอรี่ชนิดชาร์จซ้ำได้รวมกับขยะในครัวเรือน ต้องทิ้งเครื่องมือไฟฟ้าและแบตเตอรี่ที่หมดอายุการใช้งานแยกต่างหากและนำไปยังสถานที่รีไซเคิลที่เป็นมิตรกับสิ่งแวดล้อม ตรวจสอบกับผู้มีส่วนในท้องถิ่นของคุณหรือร้านค้าปลีกสำหรับคำแนะนำในการรีไซเคิลและจุดเก็บรวบรวม อัตราความเร็วสูงจะหายได้สภาวะที่ไม่มีโหลด

n_0

V

โวลต์



กระแสตรง

DATA TEKNIS**M18 FOPH-HTA**

Kecepatan tanpa beban	0–2800/0–3500 min ⁻¹
Panjang Bilah	508 mm
Jarak gerigi	25 mm
Kapasitas pemotongan	25 mm
Bobot sesuai dengan Prosedur EPTA 01/2014	2,6 kg

Informasi derau/vibrasi

Nilai terukur yang ditentukan sesuai EN 60745.

Biasanya, level kebisingan tertimbang A dari alat adalah:

Tingkat tekanan suara (K Ketidakpastian=3dB(A))	84 dB(A)
Tingkat daya suara (K Ketidakpastian=3dB(A))	92,4 dB(A)

Pakailah pelindung telinga!

Total nilai vibrasi (jumlah vektor di ketiga aksis) ditentukan sesuai EN 60745.

Getaran (a_h)	3,5 m/s ²
K Ketidakpastian	0,8 m/s ²

Untuk data teknis dan daftar sumber daya (powerbase) yang bisa digunakan untuk kepala (head) perangkat tertentu, lihat instruksi pengoperasian head perangkat tersebut.

PERINGATAN!

Tingkat emisi getaran yang diberikan dalam lembar informasi ini telah diukur sesuai dengan uji terstandar yang diberikan dalam EN 60745 dan dapat digunakan untuk membandingkan satu produk dengan yang lainnya. Dapat digunakan untuk penilaian pendahuluan terhadap paparan.

Tingkat emisi getaran yang dinyatakan mewakili penggunaan utama produk ini. Namun, jika produk digunakan untuk penggunaan yang berbeda, dengan aksesoris yang berbeda, atau pemeliharaan yang kurang memadai, maka emisi getaran mungkin akan berbeda. Hal ini dapat meningkatkan tingkat paparan secara signifikan selama periode kerja total.

Perkiraan tingkat paparan terhadap getaran juga harus memperhitungkan saat-saat ketika alat dimatikan atau ketika produk sedang dinyalakan tetapi tidak benar-benar melakukan pekerjaan. Hal ini dapat menurunkan tingkat paparan secara signifikan selama periode kerja total.

Identifikasi langkah-langkah keselamatan tambahan untuk melindungi operator dari efek getaran, seperti merawat peralatan dan aksesorinya, menjaga agar tangan tetap hangat, dan mengatur pola kerja.

⚠ PERINGATAN! Baca instruksi ini dengan seksama dan kenali fungsi kontrol dan penggunaan produk dengan benar. Simpan semua peringatan dan petunjuk sebagai referensi sewaktu-waktu.

⚠ PERINGATAN KESELAMATAN PEMANGKAS TANAMAN PAGAR NIRKABEL

Jauhkan semua bagian tubuh dari mata pisau. Jangan melepaskan material yang dipotong atau menahan material yang akan dipotong ketika bilah bergerak. Mata pisau masih akan bergerak setelah sakelar dimatikan. Kelengahan saat mengoperasikan pemangkas tanaman pagar meski sekejap dapat menyebabkan cedera pribadi yang serius.

Bawalah produk dengan mengangkat gagangnya dengan posisi mata pisau berhenti dan jari-jari menjauhi semua sakelar daya. Penanganan produk yang tepat akan mengurangi kemungkinan cedera pribadi akibat bilah pemotong.

Saat memindahkan atau menyimpan produk, selalu pasang penutup mata pisau. Penanganan produk yang tepat akan mengurangi risiko cedera pribadi akibat mata pisau.

Pastikan semua sakelar daya dimatikan saat

membersihkan material yang tersangkut atau memperbaiki unit. Pergerakan produk yang tidak terduga saat membersihkan material yang tersangkut atau saat menyervis dapat mengakibatkan cedera pribadi yang serius.

Pegang produk hanya pada permukaan yang berinsulasi karena mata pisau dapat menyentuh kabel tersembunyi. Mata pisau yang menyentuh kabel yang 'teraliri' dapat membuat pembatas trimer yang terekspos menjadi 'teraliri' dan menyebabkan operator tersengat listrik.

Jauhkan semua kawat dan kabel dari area pemotongan. Kawat atau kabel listrik bisa disembunyikan di pagar atau semak-semak dan dapat terpotong secara tidak sengaja oleh mata pisau.

Hindari penggunaan mesin dalam kondisi cuaca buruk khususnya ketika ada risiko sambaran petir. Langkah ini mengurangi risiko tersambar petir.

⚠ PERINGATAN KESELAMATAN TAMBAHAN UNTUK PEMANGKAS TANAMAN PAGAR

Untuk mengurangi risiko tersengat listrik, jangan gunakan produk di dekat saluran listrik. Kontak dengan atau menggunakan produk di dekat saluran listrik dapat

menyebabkan cedera serius atau sengatan listrik yang mengakibatkan kematian.

Selalu gunakan dua tangan saat mengoperasikan produk. Pegang produk dengan kedua tangan untuk mencegah kehilangan kendali.

Selalu gunakan pelindung kepala saat mengoperasikan produk dengan posisi di atas kepala. Puing-puing yang jatuh dapat menyebabkan cedera pribadi yang serius.

PETUNJUK KESELAMATAN TAMBAHAN

Jangan pernah membiarkan anak-anak, orang dengan kemampuan fisik, indra atau mental yang kurang atau tidak berpengalaman dan berpengetahuan atau orang-orang yang tidak paham dengan petunjuk penggunaan menggunakan mesin ini, peraturan setempat dapat membatasi usia operator.

Bersihkan area kerja sebelum digunakan. Pindahkan semua benda, seperti tali, lampu, kabel, atau benang yang dapat terlempar atau tersangkut dalam alat pemotongan.

Periksa alat pemangkas akan adanya benda asing, seperti kawat pagar.

Jangan pernah menggunakan produk di dekat pos, pagar, bangunan atau objek tidak bergerak lainnya.

Waspadalah akan benda yang terlempar atau beterbangan. Jauhkan pengamat, anak-anak dan binatang peliharaan sejauh 15m dari area kerja.

Jangan mengoperasikan alat di bawah pencahayaan yang buruk. Operator membutuhkan gambaran yang jelas akan area kerja guna mengidentifikasi potensi bahaya.

Periksa produk sebelum digunakan. Periksa apakah ada pengunci yang longgar, dll. Pastikan semua pelindung, dan tuas terpasang dengan baik dan aman. Ganti semua bagian yang rusak sebelum digunakan. Periksa akan adanya kebocoran paket baterai.

Jangan memodifikasi produk dengan cara apa pun.

Jangan membiarkan anak-anak atau orang yang tidak terlatih menggunakan produk ini.

Gunakan pelindung mata dan telinga keseluruhan saat mengoperasikan produk. Jika bekerja di dalam sebuah area di mana ada risiko benda jatuh, pelindung kepala harus digunakan.

Ikatlah rambut yang panjang sehingga rambut berada di atas bahu agar tidak tersangkut di dalam bagian alat yang bergerak.

Jangan menggunakan produk ketika Anda sedang lelah, sakit, atau di bawah pengaruh alkohol, obat-obatan atau dalam pengobatan.

Jaga pijakan dan keseimbangan tetap kokoh. Jangan melampaui batas. Menjangkau terlalu jauh dapat menyebabkan hilangnya keseimbangan.

Sebelum menyalakan produk, pastikan bilah pemotong tidak akan menyentuh apa pun.

Selama mengoperasikan pemangkas tanaman pagar, selalu pegang dengan kuat dengan kedua tangan pada kedua gagangnya. Pastikan posisi pengoperasian aman dan terlindungi. Produsen tidak merekomendasikan penggunaan tangan atau jari Anda di antara bilah atau dalam posisi di mana diperlukan, gunakan alat penjangkau yang diperpanjang.

Bilah ini tajam. Ketika menangani rakitan mata pisau, gunakan sarung tangan pelindung antiselip yang kuat. Jangan letakkan tangan atau jari Anda di antara bilah atau dalam posisi di mana tangan atau jari Anda dapat terjepit atau terpotong. Jangan pernah menyentuh bilah atau memperbaiki produk kecuali paket baterai telah dilepaskan.

Jangan memaksakan produk melalui semak-semak yang rimbun. Hal ini dapat menyebabkan bilah tertaut dan melambat. Jika bilah melambat, kurangi kecepatan.

Jangan mencoba untuk memotong batang atau ranting yang lebih besar dari 28 mm, atau batang dan ranting yang jelas-jelas terlalu besar untuk diumpankan ke dalam bilah pemotong.

Gunakan gergaji tangan tanpa listrik atau gergaji pemangkas untuk memangkas batang besar.

Penggunaan perlindungan pendengaran mengurangi kemampuan untuk mendengar suara peringatan (teriakan atau alarm). Operator harus memberikan perhatian ekstra atas apa yang terjadi di area kerja.

⚠ PERINGATAN! Jika produk mati, rusak berat, atau mulai bergetar secara tidak normal, segera matikan produk dan periksa kerusakan atau identifikasi penyebab getaran. Bagian manapun yang rusak atau aus harus diperbaiki sebagaimana mestinya atau diganti oleh pusat layanan resmi.

Lepaskan paket baterai sebelum memulai pekerjaan apa pun pada produk.

Jangan membuang unit baterai bekas dalam sampah rumah tangga atau membakarnya. Distributor MILWAUKEE menerima kembali baterai usang untuk menjaga lingkungan.

Jangan menyimpan paket baterai bersama benda logam (risiko arus pendek).

Hanya gunakan pengisi daya System M18 untuk mengisi daya paket baterai System M18. Jangan menggunakan unit baterai dari sistem lain.

Asam baterai dapat merembes dari baterai yang rusak akibat beban atau suhu yang ekstrem. Jika asam baterai mengenai Anda, segera cuci dengan sabun dan air. Jika mengenai mata, bilas sebanyak-banyaknya selama setidaknya 10 menit dan segera dapatkan penanganan medis.

PERINGATAN KESELAMATAN BATERAI TAMBAHAN

⚠ PERINGATAN! Untuk mengurangi risiko kebakaran, cedera pribadi, dan kerusakan produk akibat hubungan arus pendek, jangan pernah merendam alat, baterai atau charger Anda dalam cairan atau membiarkan cairan mengalir di dalamnya. Cairan korosif atau konduktif, seperti air laut, bahan kimia industri tertentu, dan produk pemutih atau yang mengandung pemutih, dan sebagainya, dapat menyebabkan hubungan arus pendek.

PENGANGKUTAN DAN PENYIMPANAN

Matikan produk, lepaskan baterai dan biarkan alat menjadi dingin sebelum menyimpan atau mengangkutnya.

Bersihkan semua material asing dari produk. Simpanlah di dalam tempat yang sejuk dan berventilasi baik yang tidak dapat dijangkau oleh anak-anak. Jauhkan dari bahan-bahan korosif seperti bahan kimia untuk berkebutan dan garam peluruh es. Jangan simpan di luar ruangan.

Untuk pengangkutan dengan kendaraan, amankan produk dari pergerakan atau kejatuhan agar tidak menyebabkan cedera terhadap seseorang atau produk itu sendiri.

MENGANGKUT BATERAI LITIUM

Baterai litium-ion tunduk pada persyaratan Legislasi Barang Berbahaya.

Pengangkutan baterai litium-ion harus dilakukan sesuai peraturan dan perundang-undangan lokal, nasional dan internasional.

- Pengguna dapat membawa baterai di jalan tanpa peraturan lebih lanjut.
- Pengangkutan komersial baterai Litium-ion oleh pihak ketiga tunduk pada peraturan Barang Berbahaya. Persiapan pengangkutan dan pengangkutan harus dilakukan oleh orang yang terlatih dan prosesnya harus didampingi oleh pakar yang terkait.

Ketika mengangkat baterai:

- Pastikan bahwa terminal kontak baterai terlindungi dan terisolasi untuk mencegah korsleting.
- Pastikan wadah baterai sudah dikencangkan agar tidak terpengaruh oleh pergerakan di dalam pengemasannya.
- Jangan mengangkat baterai yang retak atau bocor.

Tanyakan kepada perusahaan pengiriman untuk memperoleh pemberitahuan lebih lanjut.

RISIKO RESIDU

Bahkan ketika produk digunakan seperti yang ditentukan, masih tidak mungkin untuk sepenuhnya menghilangkan faktor risiko residual tertentu. Bahaya berikut mungkin timbul dalam penggunaan dan operator harus memberikan perhatian khusus untuk menghindari hal-hal berikut:

- Cedera yang disebabkan oleh vibrasi Pegang produk dengan menggunakan tuas yang disediakan dan batasi waktu kerja dan paparan.
- Berada di lingkungan yang bising dapat menyebabkan gangguan pendengaran. Gunakan pelindung telinga dan batasi paparan.
- Cedera akibat terdampar serpihan Gunakan pelindung mata, celana panjang tebal, sarung tangan dan alas kaki yang kuat setiap saat.

KONDISI PENGGUNAAN KHUSUS

Pemangkas tanaman pagar tanpa kabel ini hanya dimaksudkan untuk digunakan di luar ruangan. Untuk alasan keamanan, produk harus dikendalikan dengan menggunakan kedua tangan.

Produk ini dirancang untuk penggunaan di rumah atau keperluan rumah tangga. Alat ini dimaksudkan untuk memotong dan memangkas tanaman pagar, semak, dan tanaman serupa.

Alat ini harus digunakan dalam kondisi kering, dan berpenerangan baik.

Alat ini tidak dimaksudkan untuk memotong rumput, pohon, atau cabang pohon. Alat ini tidak boleh digunakan untuk tujuan lain selain memangkas tanaman pagar.

Jangan gunakan produk ini selain penggunaan normal yang telah dinyatakan.

BATERAI

Pek baterai yang belum digunakan dalam satu jangka masa perlu dicas semula sebelum digunakan.

Suhu yang melebihi 50°C (122°F) akan mengurangi kinerja paket baterai. Hindari paparan berkepanjangan terhadap panas atau sinar matahari (risiko panas berlebihan).

Kontak pada pengisi daya dan paket baterai harus dijaga kebersihannya.

Untuk masa pemakaian optimal, paket baterai harus diisi dayanya hingga penuh setelah digunakan.

Untuk memaksimalkan masa pemakaian baterai, lepaskan paket baterai dari pengisi daya setelah terisi sepenuhnya.

Untuk penyimpanan paket baterai lebih dari 30 hari:

- Simpan paket baterai jika suhu berada di bawah 27°C dan jauhkan dari kelembapan.
- Simpan paket baterai dalam kondisi terisi dayanya 30% - 50%.
- Jika penyimpanan paket baterai mencapai enam bulan, isi daya baterai seperti biasa.

PEMELIHARAAN

Setelah penggunaan, bersihkan produk dan gagang dengan kain yang halus dan kering.

Setelah setiap kali digunakan, bersihkan sisa kotoran dari bilah dengan sikat yang kaku, dan kemudian oleskan pelumas pencegah karat dengan hati-hati sebelum memasang kembali pelindung bilah. Produsen merekomendasikan Anda untuk menggunakan semprotan pelumas pencegah karat untuk pemerataan dan mengurangi risiko cedera pribadi akibat kontak dengan bilah. Untuk informasi tentang produk semprot yang sesuai, hubungi salah satu pusat layanan MILWAUKEE kami. (lihat daftar alamat pusat garansi/layanan kami).

Lumasi mata pisau sedikit sebelum digunakan jika perlu dengan menggunakan metode di atas.

Selalu kencangkan mur, baut dan obeng untuk memastikan bahwa mesin dalam kondisi kerja yang aman.

Periksa mesin dan ganti komponen yang aus atau rusak demi keselamatan.

Gunakan hanya aksesoris MILWAUKEE dan suku cadang MILWAUKEE. Jika komponen harus diganti, namun belum ada penjelasannya, hubungi salah satu agen servis MILWAUKEE kami (lihat daftar alamat penggaransi/servis).

Jika diperlukan, gambar pecahan komponen dapat dipesan. Sebutkan tipe produk dan nomor seri yang tertera pada label dan pesanlah gambarnya pada agen layanan setempat.

SIMBOL



PERHATIAN! PERINGATAN! BAHAYA!



Baca petunjuk dengan cermat sebelum memulai menggunakan produk.



Lepaskan paket baterai sebelum memulai pekerjaan apa pun pada produk.



Selalu pakai kacamata goggle saat menggunakan produk ini.



Pakai pelindung telinga.



Kenakan sarung tangan anti-selip yang kuat.



Selalu gunakan pakaian dan sepatu pelindung.



BAHAYA! – Jaga jarak yang cukup dari saluran listrik.



Pastikan pengamat/penonton berada pada jarak aman dari produk ini.



Untuk mencegah cedera serius, jangan sentuh bilah pemotong.



Jangan menggunakannya di tengah hujan atau membiarkannya di luar saat hujan.



Tingkat daya bunyi terjamin adalah 96 dB.

n_0 XXXX min⁻¹

Langkah tanpa beban per menit (SPM)



Jangan membuang alat-alat listrik, baterai/ baterai isi ulang bersama-sama dengan sampah rumah tangga. Peralatan listrik dan baterai yang telah mencapai akhir masa pakainya harus dikumpulkan secara terpisah dan dikembalikan ke fasilitas daur ulang yang kompatibel terhadap lingkungan. Tanyakan kepada pihak berwenang atau peritel setempat mengenai daur ulang dan titik pengumpulan.

n_0

Laju gergaji tanpa beban

V

Volt



Arus Searah



