

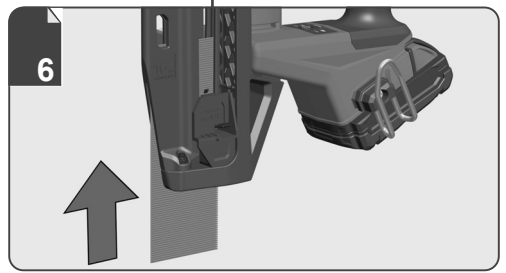
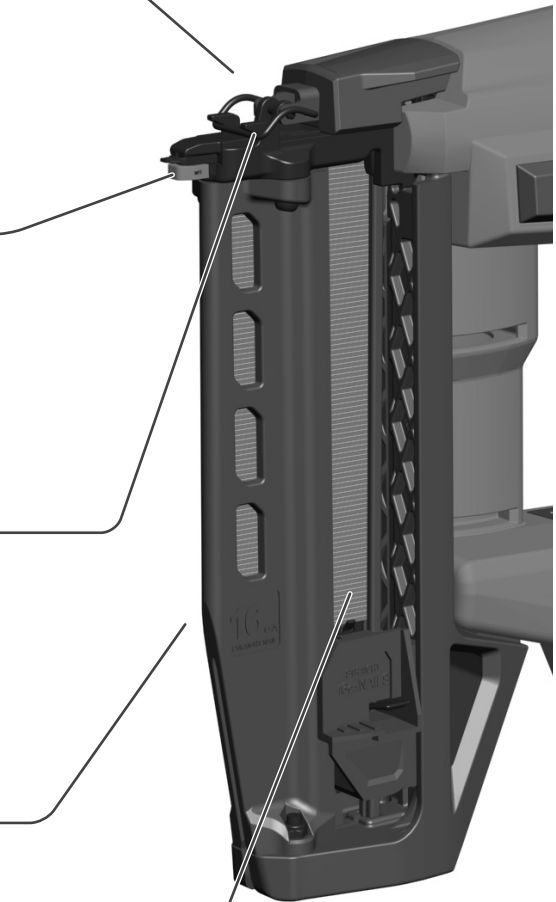
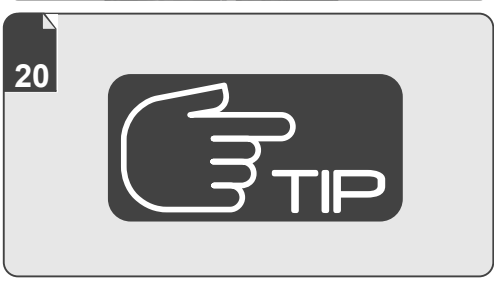
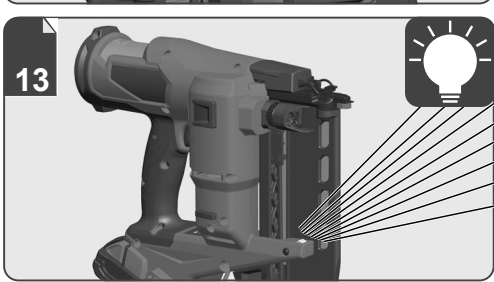
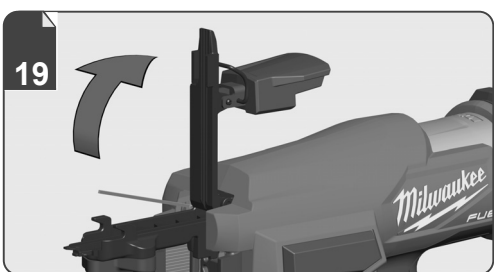
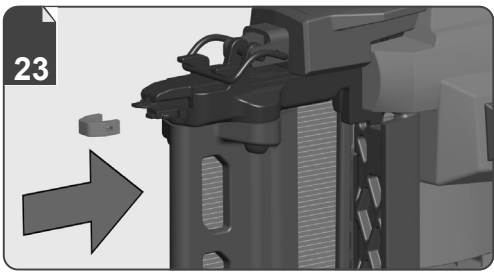
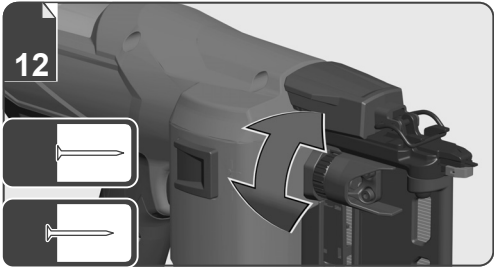
Milwaukee™

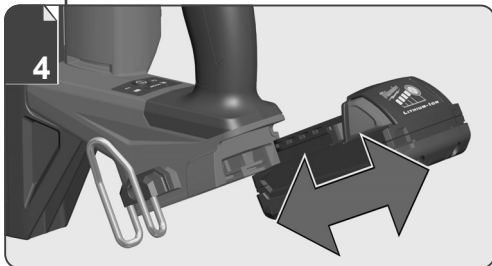
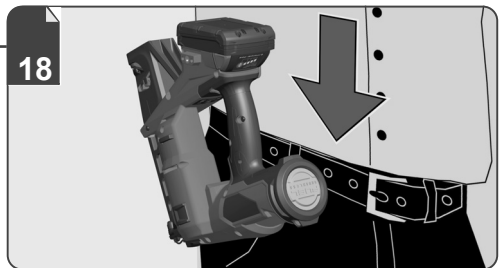
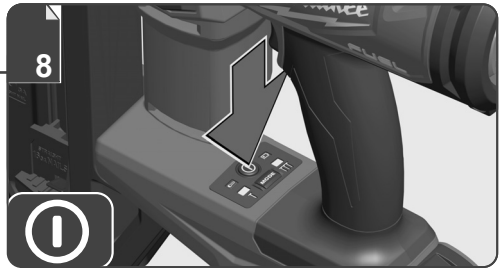
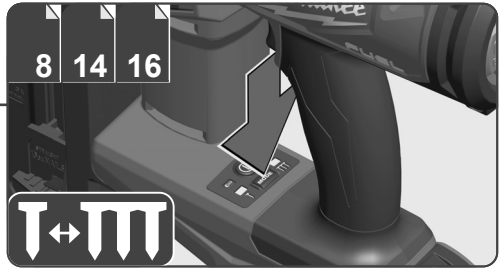
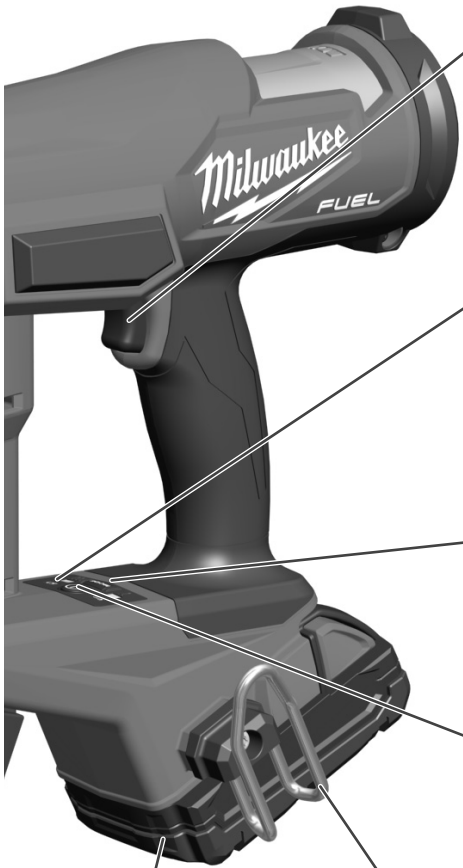
Nothing but **HEAVY DUTY™**

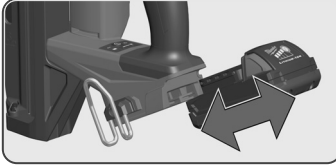


M18 FN16GS

- ⓔ User Manual
- ⓩ 操作指南
- ⓩ 操作指南
- Ⓚ 사용시 주의사항
- Ⓣ คู่มือการใช้งาน
- Ⓜ Buku Petunjuk Pengguna
- Ⓥ Cẩm nang hướng dẫn sử dụng
- Ⓜ 取扱説明書







Remove the battery pack before starting any work on the product.

對產品進行任何工作前，先移除電池組。

在开始任何工作之前，请先取出电池。

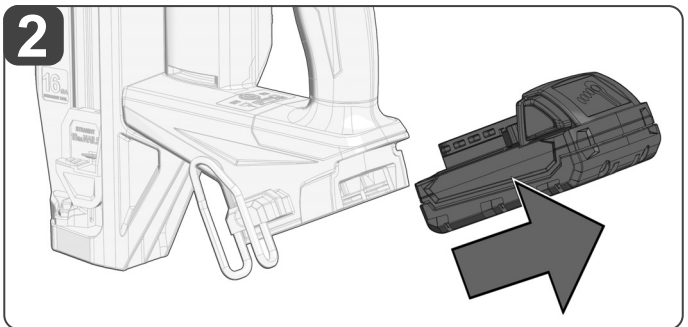
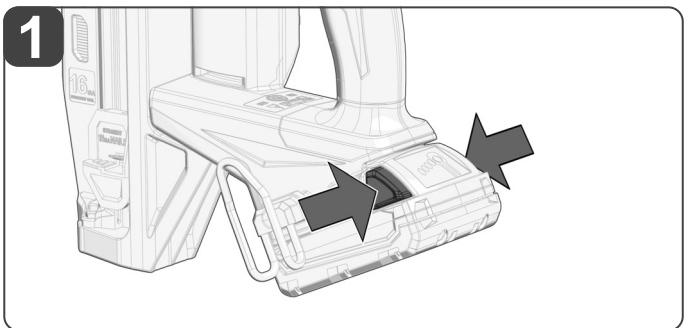
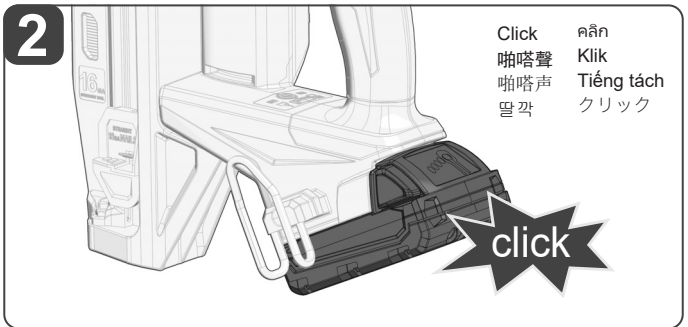
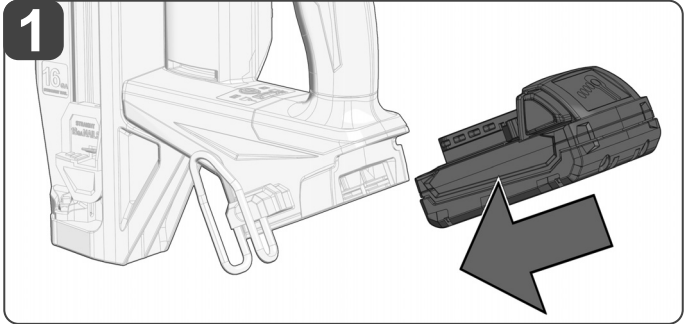
제품을 청소하거나 분리하기 전, 배터리 팩을 제거하십시오.

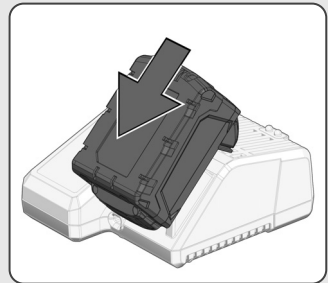
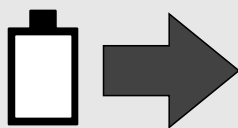
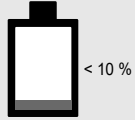
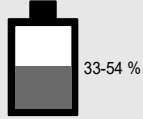
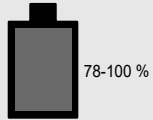
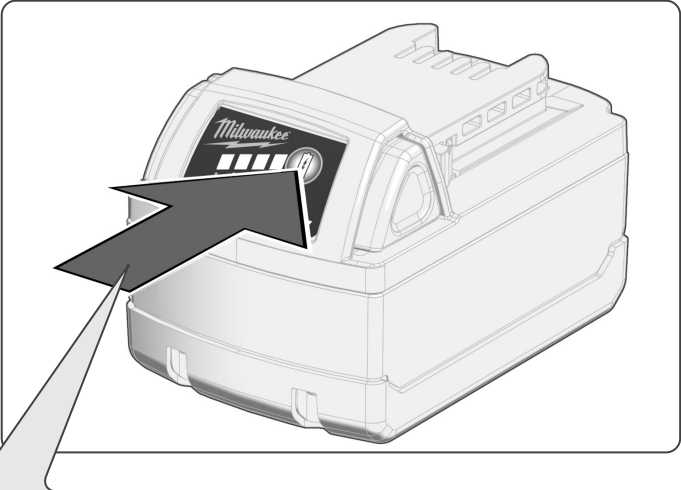
ถอดแบตเตอรี่ออกก่อนเริ่มการใช้งาน

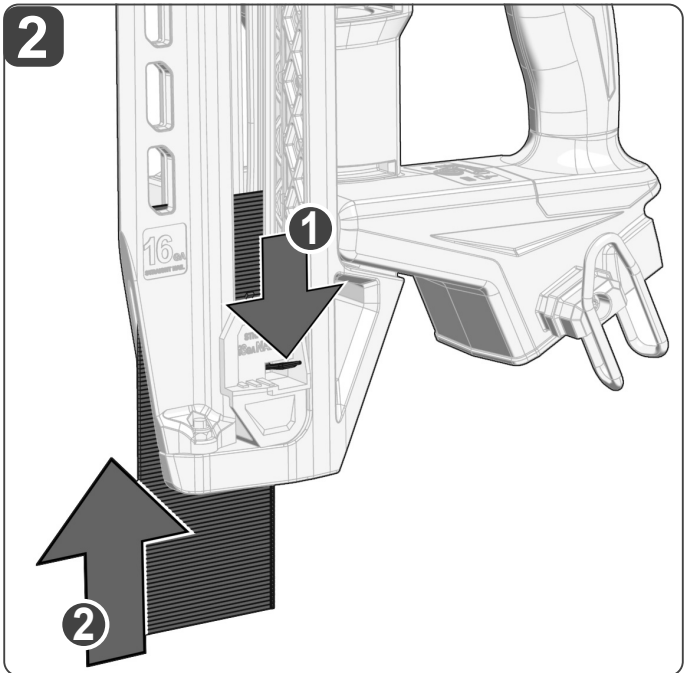
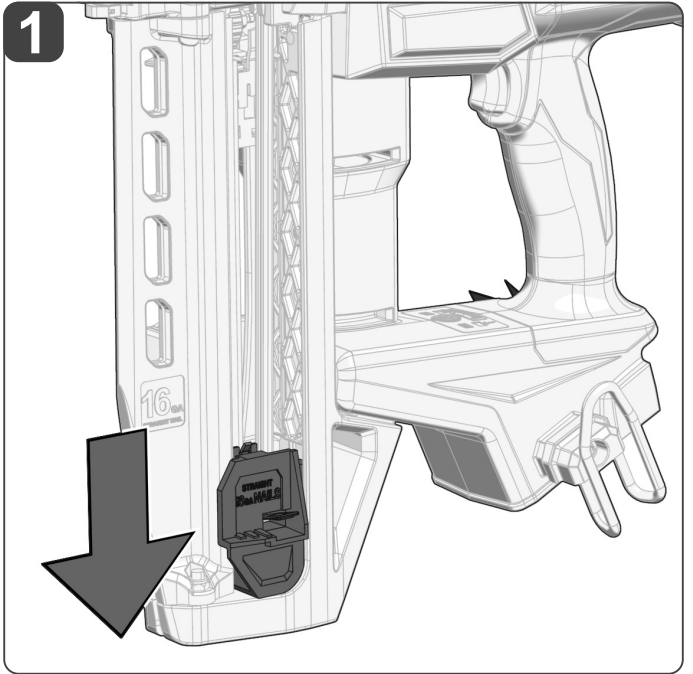
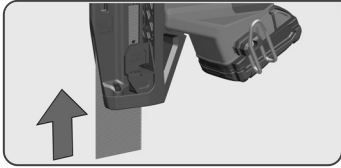
Lepaskan paket baterai sebelum memulai pekerjaan apa pun pada produk.

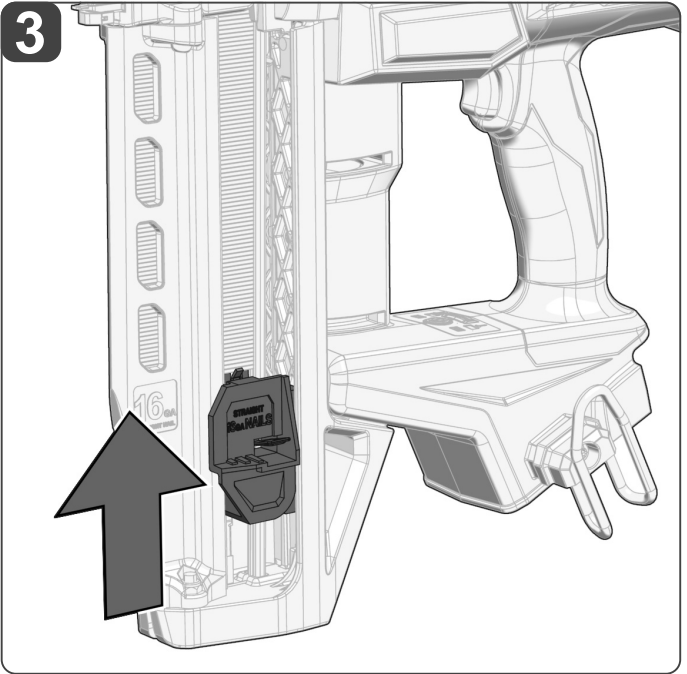
Tháo pin trước khi bắt đầu thao tác với sản phẩm.

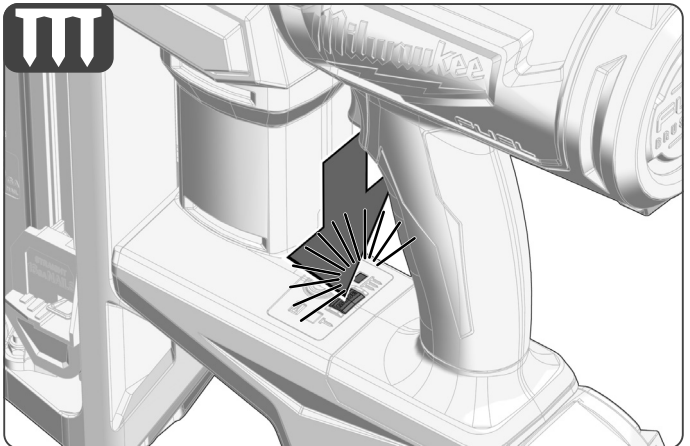
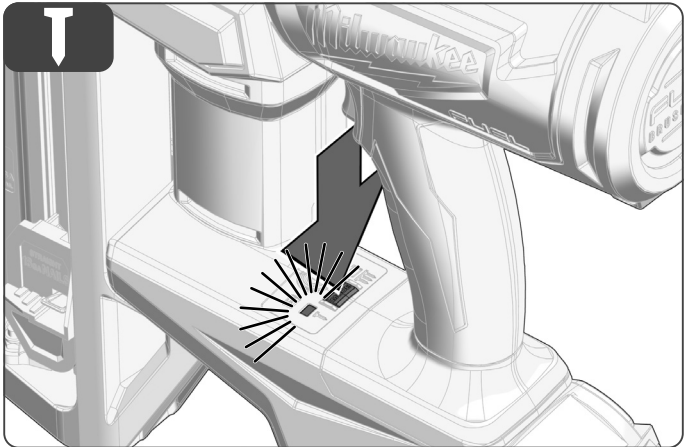
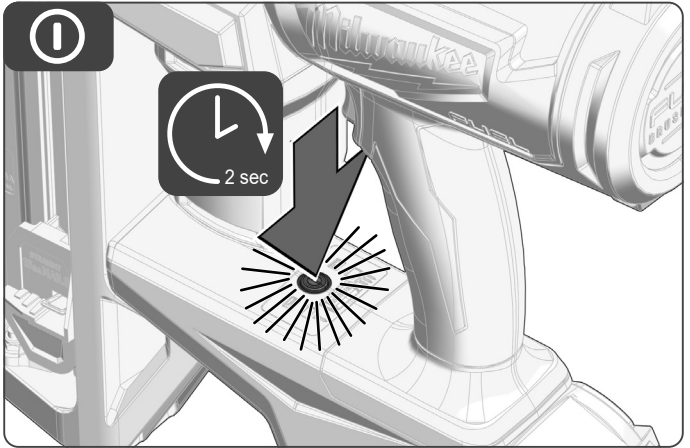
作業前の調整時や保守・点検時は、本体からバッテリーを取り外してください。











Press and hold the power/actuation button to turn on the product.

按住電源/啟動按鈕以啟動產品。

按住开关/启动按钮以启动产品。

제품 전원을 켜려면 전원/작동 버튼을 길게 누릅니다.

กดปุ่มเปิดปิด/เริ่มทำงานค้างไว้เพื่อเปิดเครื่องผลิตภัณฑ์

Tekan dan tahan tombol Daya/Aktuasi untuk menyalakan produk.

Ấn và giữ nút Power/Actuation (Nguồn/Kích hoạt) để bật sản phẩm.

電源/作動ボタンを押して、製品の電源を入れます。

Single sequential actuation

單次順序啟動

单次顺序启动

단일 순차 작동

เปิดการทำงานแบบต่อเนื่อง

Aktuasi Tunggal Berurutan

Kích hoạt chế độ đơn

シングルシーケンシャル作動

Contact (bump) actuation

接觸（觸碰）啟動

接触（碰）启动

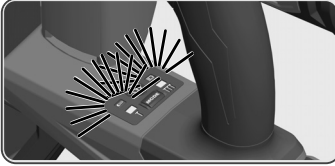
접촉(범프) 작동

การกระตุ้นหน้าสัมผัส (กระแทก)

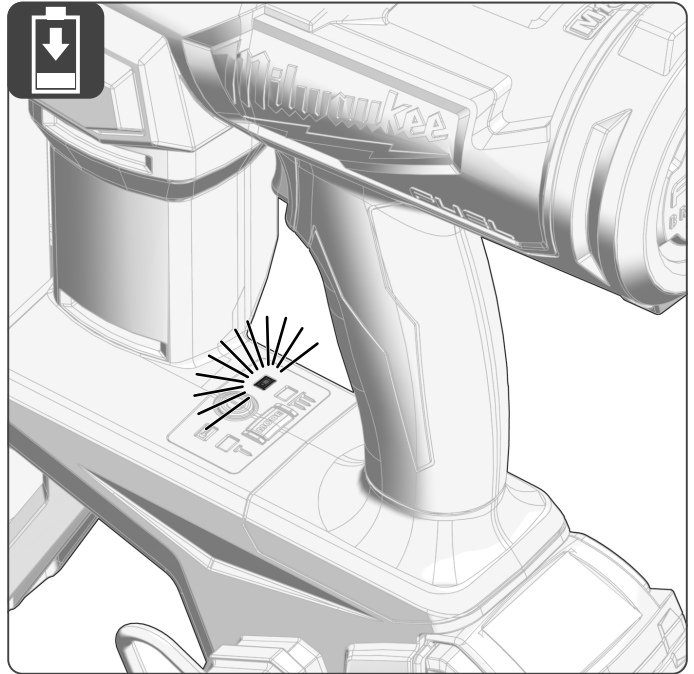
Aktuasi kontak (benturan)

Kích hoạt liên tục

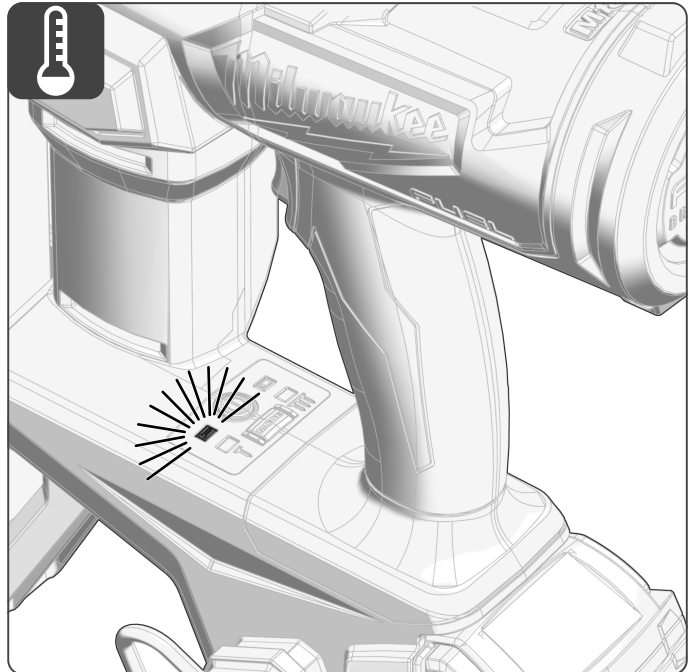
接触（パンプ）作動



Low battery LED
低電量 LED 指示燈
低电量LED
배터리 부족 LED
ไฟ LED ปังชี้แบตเตอรี่เหลือน้อย
LED Daya Baterai Lemah
Đèn LED báo pin yếu
低バッテリー LED



Temperature protection
温度保護
温度保护
과열 보호
การป้องกันทางอุณหภูมิ
Proteksi suhu
Chế độ bảo vệ quá nhiệt độ
温度保護



If the red light turns on, the battery is low. The product will not be able to fire nails. To continue work, charge the battery pack.

如果紅燈亮起，則電池電量不足。此產品將無法發射釘子。如要繼續工作，請為電池組充電。

如果紅燈亮起，則電池量不足。此產品將無法發射釘子。如要继续工作，請為電池組充電。

빨간색 조명이 켜지면 배터리가 부족함을 나타냅니다. 제품이 네일을 발사할 수 없습니다. 작업을 계속하려면 배터리 팩을 충전하십시오.

ถ้าไฟสีแดงติด แสดงว่าแบตเตอรี่เหลือน้อย ผลิตภัณฑ์จะไม่สามารถยิงตะปูได้ หากต้องการใช้งานต่อ ให้ชาร์จแบตเตอรี่

Jika lampu merah menyala, daya baterai lemah. Produk tidak akan bisa menembakkan paku. Untuk melanjutkan pekerjaan, ganti unit baterai.

Nếu đèn đỏ hiện lên thì pin đang yếu. Sản phẩm sẽ không thể bắn đinh. Để tiếp tục làm việc, hãy sạc pin.

赤いライトが点灯している場合、バッテリー残量が少なくなっています。製品はネイルを発射することができません。作業を続けるには、バッテリーパックを充電してください。

If the LED turns blue, the product is too cold. If the LED turns red, the product is too hot. Let the product warm up or cool down.

如果 LED 變為藍燈，則產品過冷。如果 LED 變為紅燈，則產品過熱；讓產品預熱或冷卻。

如果 LED 变为蓝灯，则产品过冷。如果 LED 变为红灯，则产品过热；让产品预热或冷却。

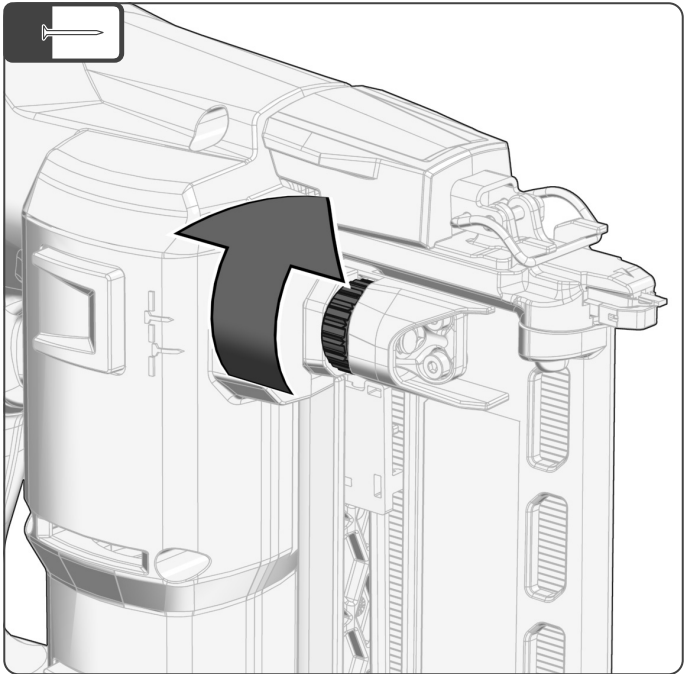
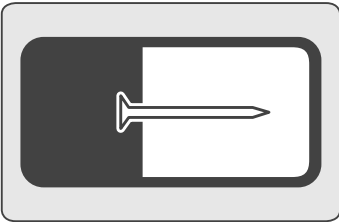
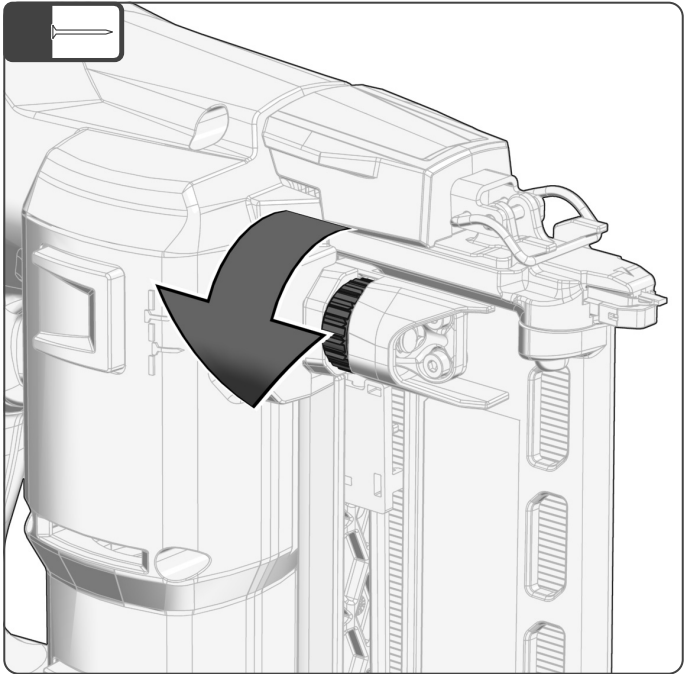
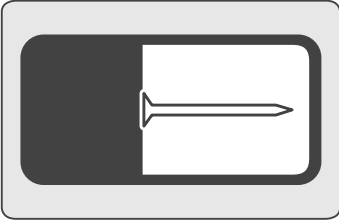
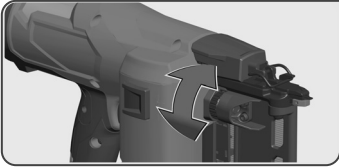
LED 조명이 푸른색으로 바뀌면 제품이 너무 차가운 것입니다. LED 조명이 붉은색으로 바뀌면 제품이 너무 뜨거운 것입니다. 제품을 예열하거나 냉각시키십시오.

ถ้าไฟ LED เปลี่ยนเป็นสีน้ำเงิน แสดงว่าผลิตภัณฑ์เย็นเกินไป ถ้าไฟ LED เปลี่ยนเป็นสีแดง แสดงว่าผลิตภัณฑ์ร้อนเกินไป ให้อุ่นหรือออร์มเครื่อง หรือรอให้ผลิตภัณฑ์เย็นตัว

Jika LED berwarna biru, artinya produk terlalu dingin. Jika LED berwarna merah, artinya produk terlalu panas. Biarkan produk memanas atau mendingin.

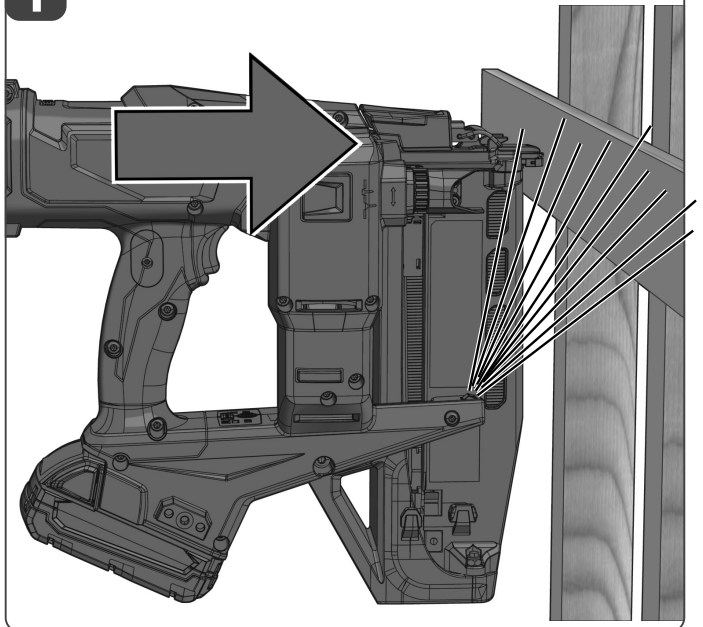
Nếu đèn LED chuyển màu xanh dương thì sản phẩm bị quá nguội. Nếu đèn LED chuyển màu đỏ thì sản phẩm quá nóng. Để sản phẩm ấm lên hoặc nguội dần.

LEDが青色になった場合、本製品の温度が低すぎます。LEDが赤色になった場合、本製品の温度が高すぎます。本製品を冷やすか温めてください。

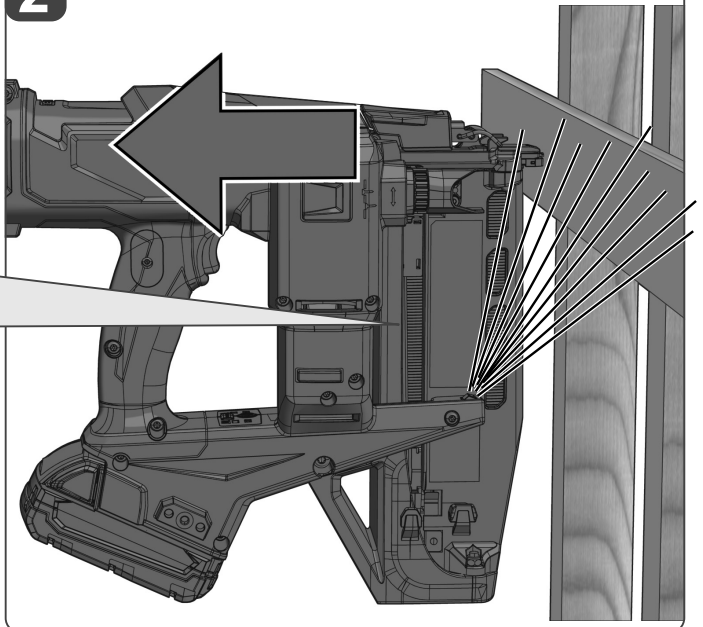




1



2



T

Single sequential actuation

單次順序啟動

单次顺序启动

단일 순차 작동

เปิดการทำงานแบบต่อเนื่อง

Aktuasi Tunggal Berurutan

Kích hoạt chế độ đơn

シングルシーケンシャル作動

Clack

啣嗒聲

拍答声

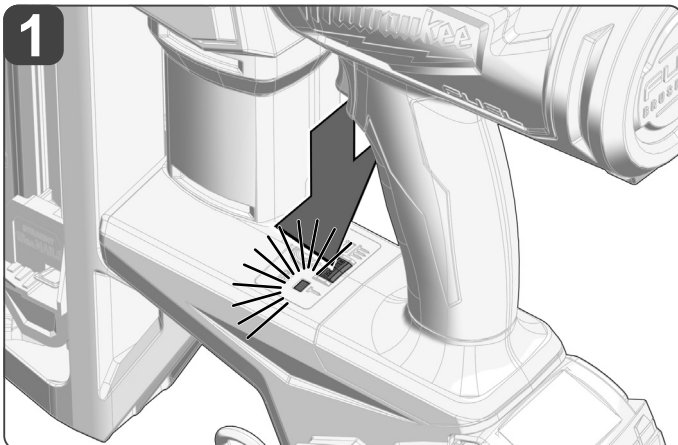
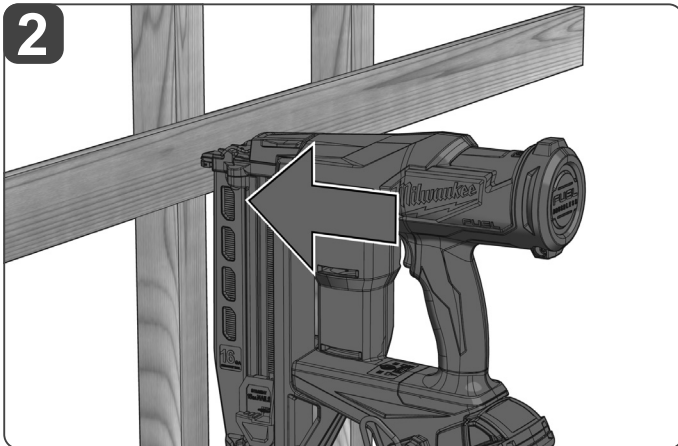
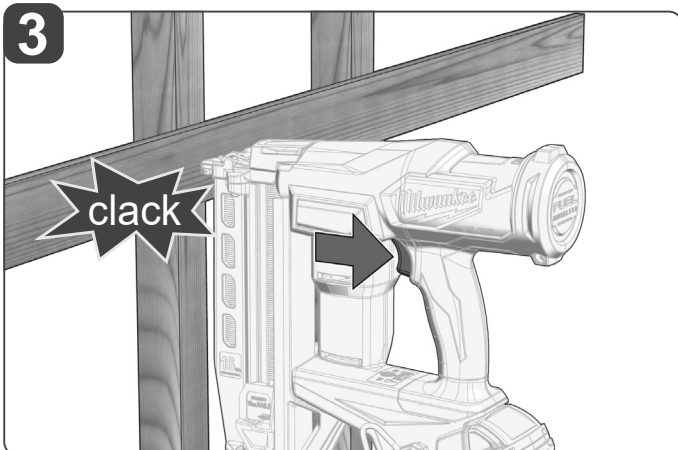
딸깍

แฉก

Berkeletak

Tiếng tách

クラック

1**2****3**

Switch to single sequential actuation:
Press the mode button - The LED **T** turns on.

切換到單次順序啟動：
按下模式按鈕 - LED 燈 **T** 亮起。

切换到单次顺序驱动：
按下模式按钮 - LED 灯 **T** 亮起。

단일 순차 작동 모드로 전환:
모드 버튼을 누르면 LED **T** 이(가) 켜집니다.

ปรับสวิตช์ไปยังตำแหน่งกาเปิดการทำงานแบบต่อเนื่อง
กดปุ่มโหมด - ไฟ LED **T** ติด

Pindah ke Aktuasi Tunggal Berurutan
Tekan tombol mode - LED **T** menyala

Chuyển sang kích hoạt chế độ đơn:
Nhấn nút chế độ - Đèn LED **T** sẽ bật.

シングルシーケンシャル作動への切り替え：
モードボタンを押すと、LED **T** がオンになります。

Push the product against the work surface, compressing the workpiece contact.

將產品推向工作表面，壓縮工件接觸面。

将产品推向工作表面，压缩工件接触面。

제품을 작업면으로 밀어 작업면 접점을 압축합니다.

เสียดผลิตภัณฑ์กับพื้นผิวของชิ้นงาน โดยกดไปที่หน้าสัมผัสของชิ้นงาน

Dorong produk ke permukaan benda kerja, tekan kontak benda kerja.

Ấn sản phẩm vào bề mặt làm việc để nén đầu tiếp xúc với vật gia công.

製品をワーク面に押し付け、ワークピースの接触点を圧縮します。

Pull the trigger to drive the fastener.

扣動扳機驅動緊固件。

拉动扳机驱动紧固件。

트리거를 당겨 패스너를 구동합니다.

ดึงทริกเกอร์เพื่อยิงตัวยึด

Tarik pelatuk untuk menggerakkan pengikat.

Bóp cò để bắn đinh.

トリガを引き、ファスナーを打ち込みます。



Contact (bump) actuation

接觸（觸碰）啟動

接触（碰）启动

접촉(범프) 작동

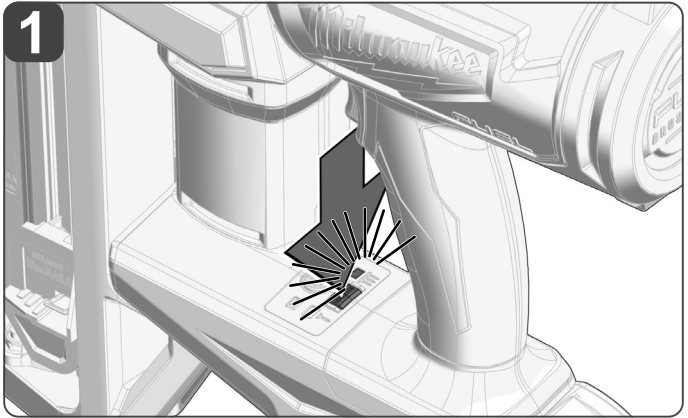
การกระตุ้นหน้าสัมผัส (กระแทก)

Aktuasi kontak (benturan)

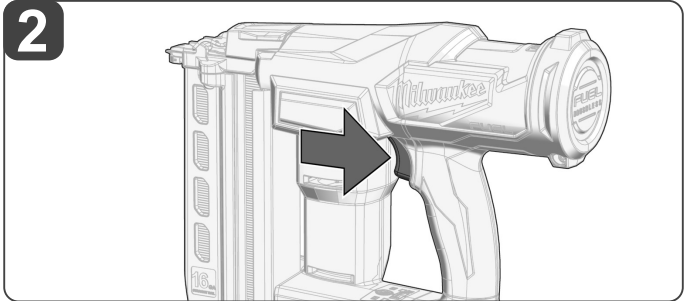
Kích hoạt liên tục

接触（ハンブ）作動

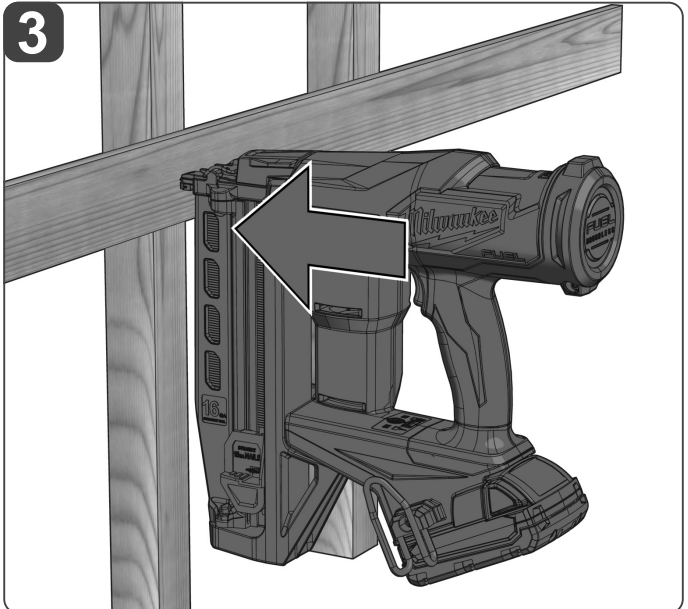
1




2




3





Switch to contact actuation:
Press the mode button - The LED  turns on.


切换到接觸啟動：
按下模式按鈕 - LED 燈  亮起

切换到接触启动：
按下模式按钮 - LED 灯  亮起。

접점 작동 모드로 전환:
모드 버튼을 누르면 LED  이(가) 켜집니다.

ปรับสวิตช์ไปยังตำแหน่งการเปิดใช้งานหน้าสัมผัส:
กดปุ่มโหมด - ไฟ LED  ติด

Pindah ke Aktuasi Kontak:
Tekan tombol mode - LED  menyala

Chuyển sang kích hoạt tiếp xúc:
Nhấn nút chế độ - Đèn LED  sẽ bật.

接触動作への切り替え：
モードボタンを押すと、LE  がオンになります。

Pull and hold the trigger.

扣動並按住扳機。

拉动并按住扳机。

트리거를 계속 당깁니다.

ดึงไกค้างไว้

Tarik dan tahan pemicu.

Bóp và giữ cò.

トリガを引いた状態にします。

Push the product against the work surface, compressing the workpiece contact to drive the fastener.

將產品推向工作表面，壓縮工件接觸點以驅動緊固件。

將产品推向工作表面，压缩工件触点以驱动紧固件。

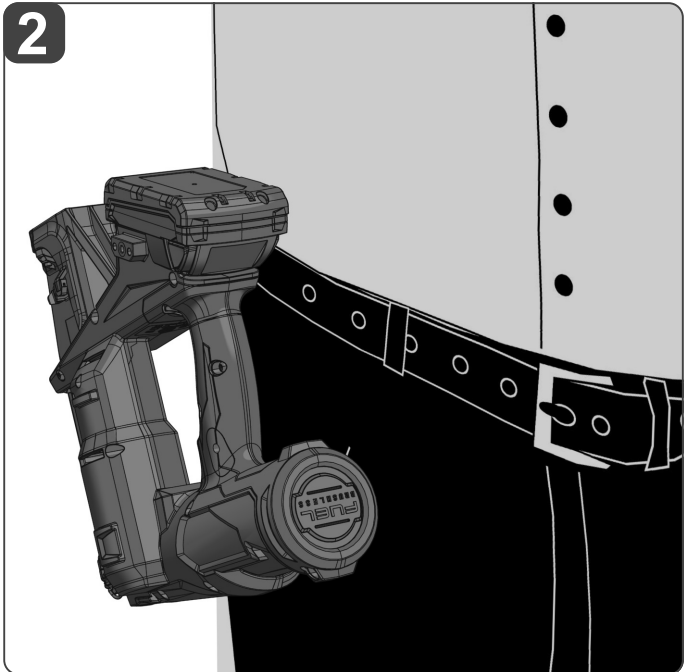
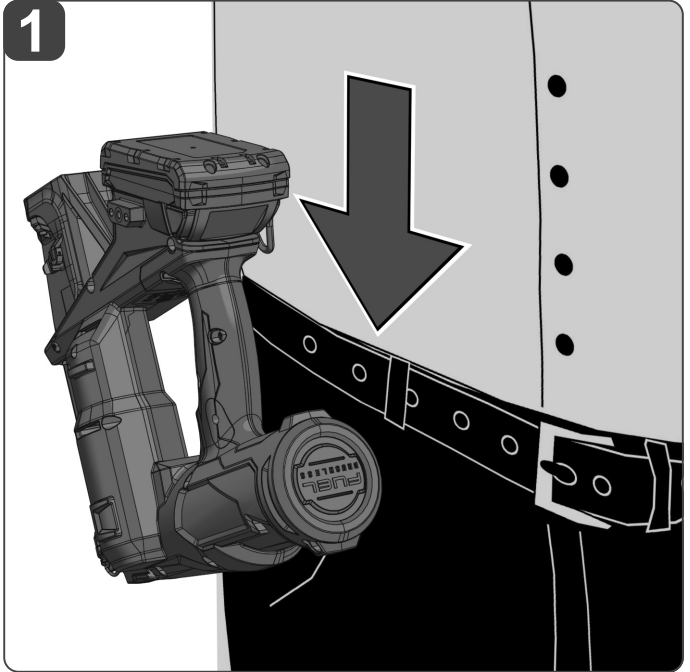
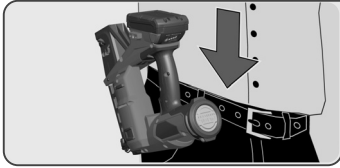
제품을 작업면으로 밀고 작업편 접점을 압축하여 패스너를 구동합니다.

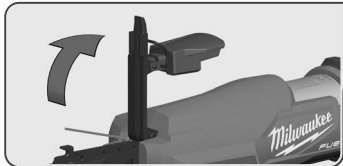
เสียงผลิตภัณฑ์ลงบนพื้นผิวของชิ้นงาน โดยกดไปที่หน้าสัมผัสของชิ้นงานเพื่อยิงตัวยึด

Dorong produk ke permukaan benda kerja, tekan kontak benda kerja untuk menggerakkan pengencang.

Ấn sản phẩm vào bề mặt làm việc để nén đầu tiếp xúc với vật gia công để bắn đinh.

製品をワーク面に押し付け、ワークピースの接触点を圧縮し、ファスナーを打ち込みます。





Clearing a jammed fastener

清除卡住的紧固件

清除卡住的紧固件

걸린 패스너 빼내기

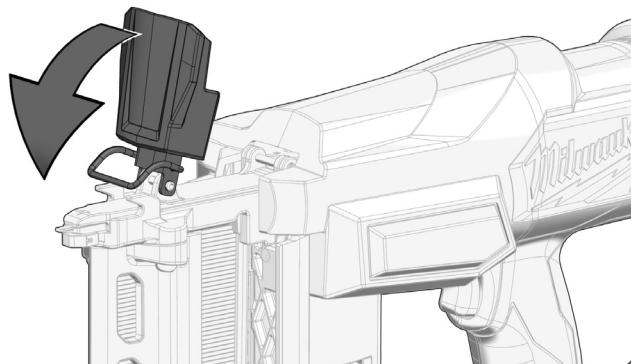
การนำตัวยึดที่ติดออก

Memberskan pengikat yang tersumbat

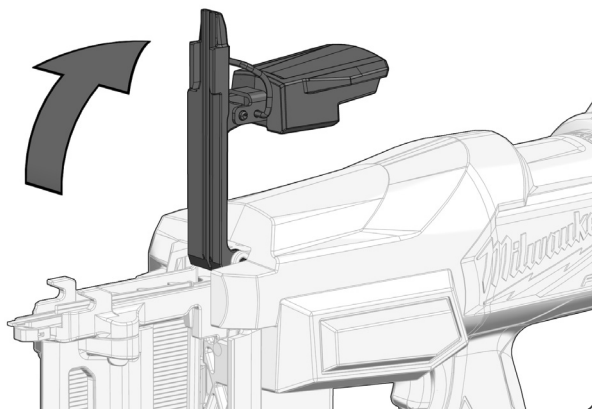
Lấy ghim đập bị kẹt ra ngoài

詰まったファスナーの除去

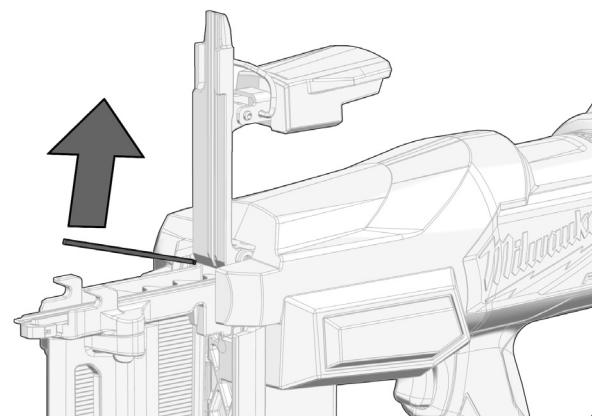
1



2



3





Retract a dropped striker.

收回掉落的撞针。

收回掉落的撞针。

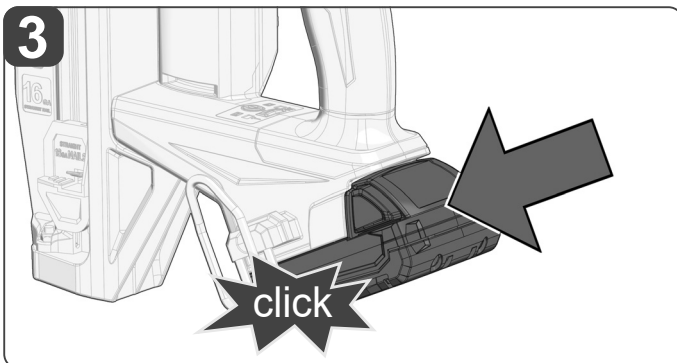
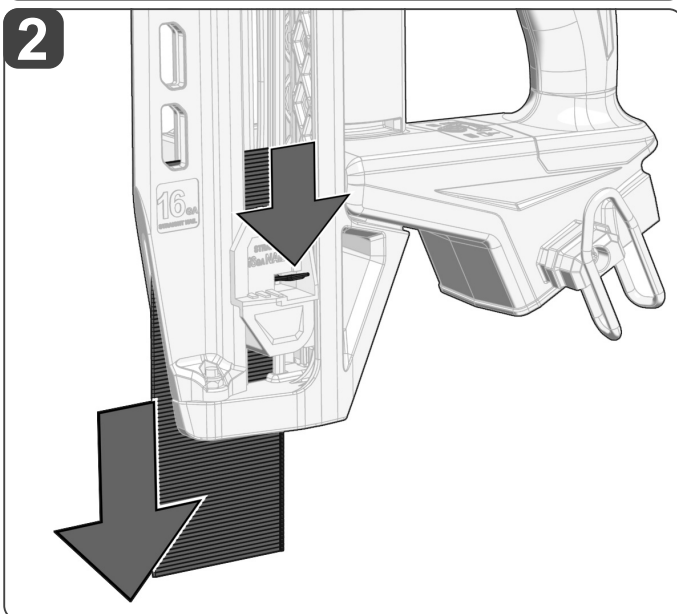
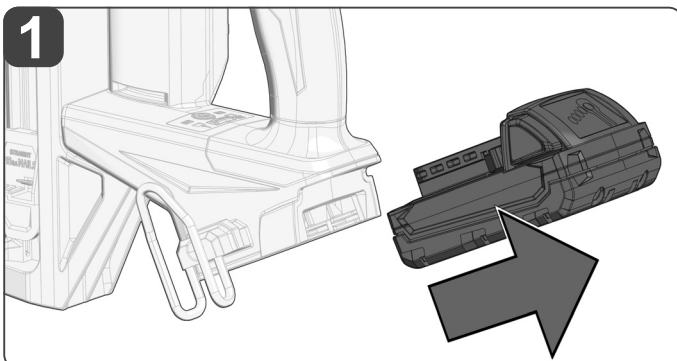
떨어진 스트라이커를
회수합니다.

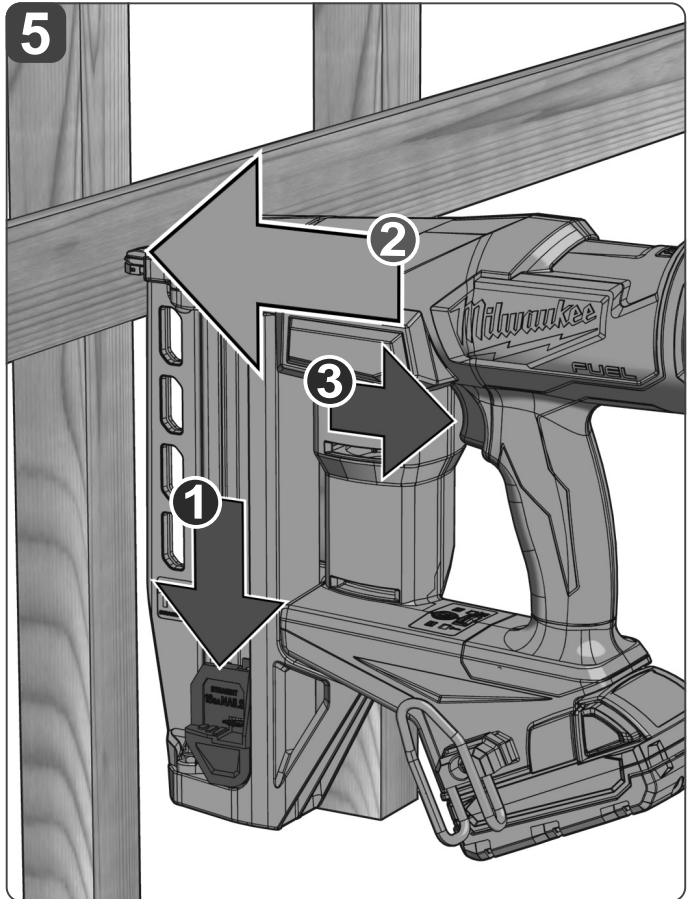
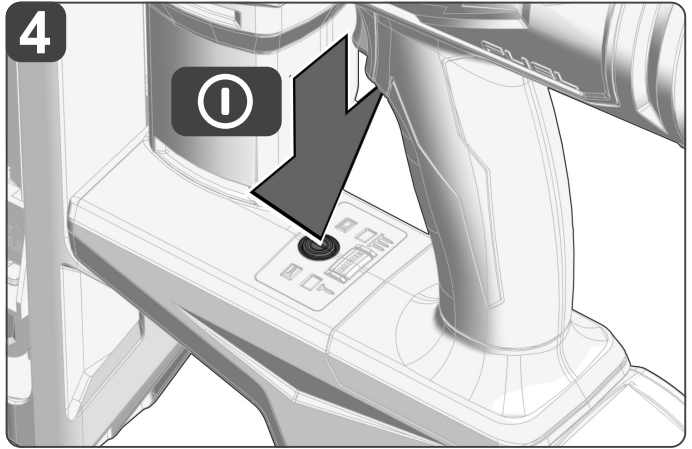
ดึงตัวกระแทกที่ร่วงกลับคืน

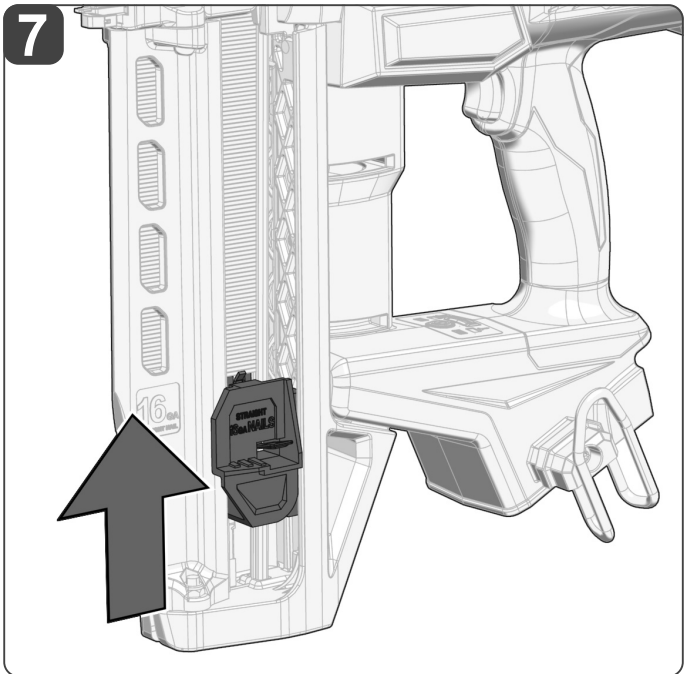
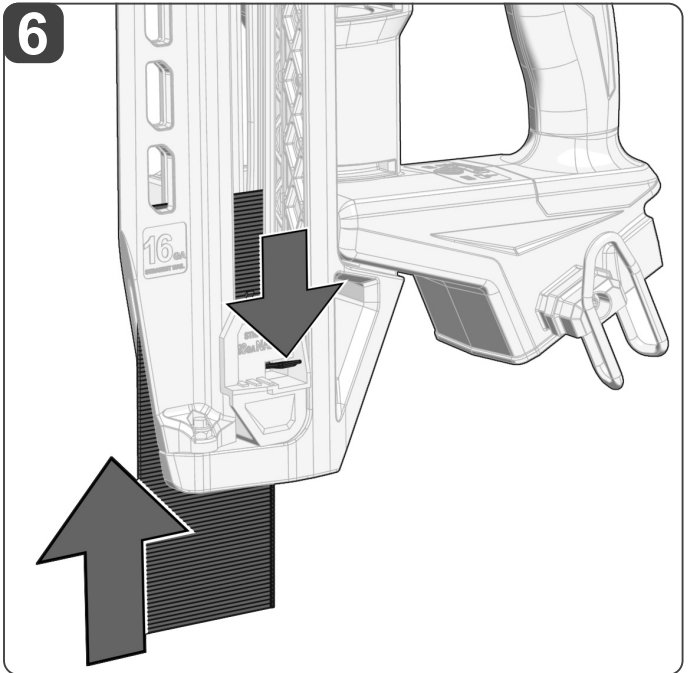
Tarik striker (pengait) yang
turun.

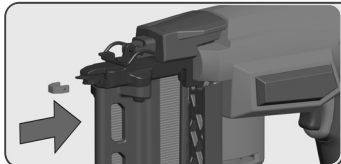
Nhật định bị rơi.

落下したストライカーを格納
します。









Attach the protective cap to protect sensitive surfaces.

安裝保護蓋以保護敏感表面。

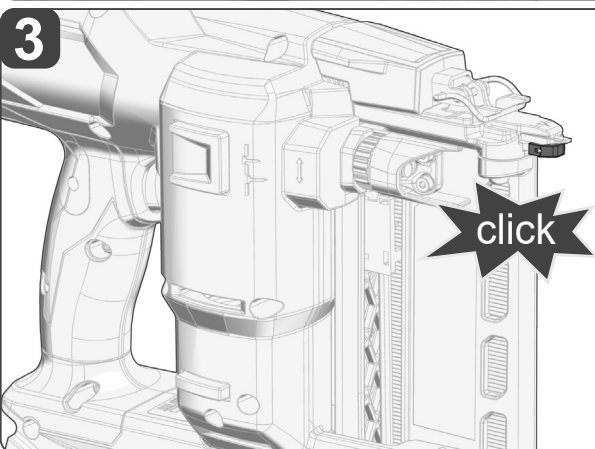
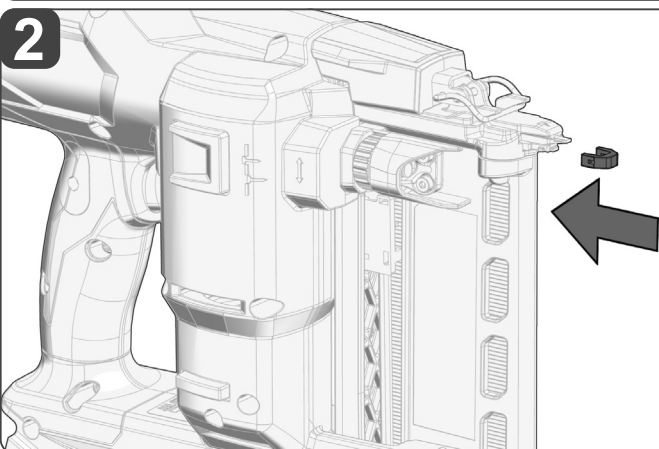
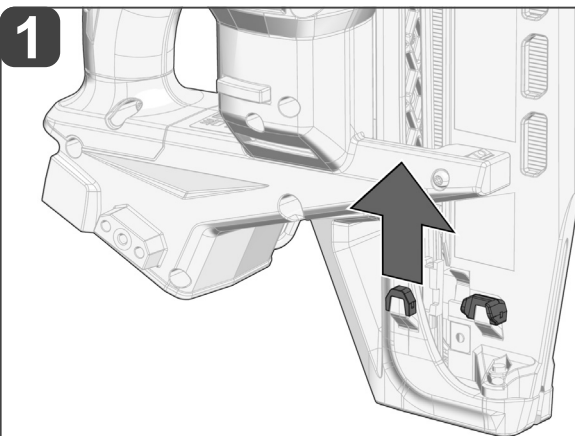
安裝保護蓋以保護敏感表面
민감한 표면을 보호하려면 보호
덮개를 부착합니다.

ติดตั้งฝาครอบป้องกันเพื่อป้องกันพื้น
ผิวที่สำคัญ

Pasang tutup pelindung untuk
melindungi permukaan yang
sensitif.

Gắn nắp bảo vệ để bảo vệ các
bề mặt nhạy cảm.

繊細な表面を保護するため、
保護キャップを取り付けてく
ださい。



TECHNICAL DATA	M18 FN16GS
Type	Cordless nailer
Battery voltage	18 V ---
Cycle rate	3/sec
Collation angle	0°
Fastener type	Brad style
Diameter	1.6 mm
Min/Max length	25 mm – 64 mm
Magazine capacity (number of nails)	110
Weight according EPTA-Procedure 01/2014 (2.0 Ah – 12.0 Ah)	3.2 kg – 4.4 kg
Recommended ambient operating temperature	-18 – +50 °C
Recommended battery types	M18B..., M18 HB...
Recommended charger	M12-18..., M18 DFC, M18 PC6

Noise information

Noise emission values determined according to EN 60745

A-weighted sound pressure level	83.2 dB (A)
Uncertainty K	3 dB (A)
A-weighted sound power level	94.2 dB (A)
Uncertainty K	3 dB (A)

Always wear ear protectors.

Vibration information

Total vibration values (vector sum in the three axes) determined according to EN 60745

Vibration emission value a_h	1.98 m/s ²
Uncertainty K	1.5 m/s ²

WARNING!

The declared vibration total values and the declared noise emission values given in this instruction manual have been measured in accordance with a standardised test and may be used to compare one tool with another. They may be used for a preliminary assessment of exposure.

The declared vibration and noise emission values represent the main applications of the tool. However, if the tool is used for different applications, used with different accessories, or poorly maintained, the vibration and noise emission may differ. These conditions may significantly increase the exposure levels over the total working period.

An estimation of the level of exposure to vibration and noise should take into account the times when the tool is turned off or when it is running idle. These conditions may significantly reduce the exposure level over the total working period.

Identify additional safety measures to protect the operator from the effects of vibration and noise, such as maintaining the tool and the accessories, keeping the hands warm (in case of vibration), and organising work patterns.

WARNING! Read all safety warnings, instructions, illustrations, and specifications provided with this power tool.

Failure to follow all instructions listed below may result in electric shock, fire, and/or serious injury.

Save all warnings and instructions for future reference.

CORDLESS NAILER SAFETY WARNINGS

Always assume that the tool contains fasteners. Careless handling of the nailer can result in unexpected firing of fasteners and personal injury.

Do not point the tool towards yourself or anyone nearby. Unexpected triggering will discharge the fastener causing an injury.

Do not actuate the tool unless the tool is placed firmly against the workpiece. If the tool is not in contact with the workpiece, the fastener may be deflected away from your target.

Remove the battery pack when the fastener jams in the product. While removing a jammed fastener, the nailer may be accidentally activated if the battery pack is inserted.

Use caution while removing a jammed fastener. The mechanism may be under compression and the fastener may be forcefully discharged while attempting to free a jammed condition.

Do not use this nailer for fastening electrical cables. It is not designed for electric cable installation and may damage the insulation of electric cables thereby causing electric shock or fire hazards.

Wear ear protectors. Exposure to noise can cause hearing loss.

Hold power tool by insulated gripping surfaces, when performing an operation where the nail may contact hidden wiring. Nails contacting a “live” wire may make exposed metal parts of the power tool “live” and could give the operator an electric shock.

Always wear eye protection with side shields. Everyday glasses have only impact resistant lenses. They are not safety glasses. Following this rule will reduce the risk of serious personal injury.

Eye protection provides protection against flying particles both from the front and side should always be worn by the operator and others in the work area when loading, operating

or servicing this tool. Eye protection is required to guard against flying fasteners and debris, which could cause severe eye injury.

Always remove the battery before adjusting the depth of drive wheel. Do not pull back on the adjustment wheel, the wheel is designed to be rotated.

Do not press the trigger while adjusting the depth of drive wheel. Always select full sequential firing mode before adjusting the depth of drive.

Do not point the tool towards yourself or anyone nearby when adjusting the depth of drive.

ADDITIONAL SAFETY AND WORKING INSTRUCTIONS

Always be aware that misuse and improper handling of the product can cause injury to yourself and others.

The product is designed for single-hand use. Do not hold the product by the front of the magazine. Do not put hands, head, or other parts of your body near the bottom of the magazine where the nail exits the product, as serious personal injury could be caused.

Always ensure that the workpiece contact is fully positioned above the workpiece. Positioning the workpiece contact only partially above the workpiece could cause the nail to miss the workpiece completely and result in serious personal injury.

Do not drive nails near the edge of material. The workpiece may split causing the nail to ricochet, injuring you or a co-worker. Be aware that the nail may follow the grain of the wood, causing it to protrude unexpectedly from the side of the work material or deflect, possibly causing injury.

Keep hands and body parts clear of the immediate work area. Hold the workpiece with clamps when necessary to keep hands and body out of potential harm. Ensure that the workpiece is properly secured before pressing the fastener against the material. The workpiece contact may cause the work material to shift unexpectedly. Keep your face and body parts away from the back of the tool cap when working in restricted areas. A sudden recoil can result in impact to the body, especially when nailing into hard or dense material.

During normal use the product recoils immediately after driving a fastener. This is a normal function of the product. Do not attempt to prevent the recoil by holding the product against the work. Restriction to the recoil can result in a second fastener being driven from the product. Grip the handle firmly, let the product do the work and do not place a second hand on top of the product or near the exhaust at any time. Failure to heed this warning can result in serious personal injury.

Do not drive fasteners on top of other fasteners or with the tool at an overly steep angle as this may cause deflection of fasteners that could cause injury.

Always check the work area for hidden wiring, gas lines, water lines, etc., before using the product on such work area.

After using the product in the contact actuation mode, switch it back to the full sequential mode.

The driving depth of the nail may be adjusted beyond air pressure. It is advisable to test the depth on a scrap workpiece to determine the required depth for the application.

Only fasteners matching the description in the Technical Data table can be used with the product. Using incorrect fasteners may lead to jamming or other malfunctions.

Do not select the contact actuation mode when working on scaffolds, ladders, or platforms where you may need to move your body position. You may unintentionally fire a nail by accidentally activating the workpiece contact while moving about if the contact actuation mode is selected. When moving positions, select full sequential activation or deactivate the product completely by removing the battery pack. This reduces the potential for injury to yourself and others.

BATTERY SAFETY INSTRUCTIONS

Do not dispose of used battery packs in the household refuse or by burning them. MILWAUKEE distributors offer to retrieve old batteries to protect our environment.

Do not store the battery pack together with metal objects (short circuit risk).

Use only M18 System chargers for charging M18 System battery packs. Do not use battery packs from other systems.

Never break open battery packs and chargers, and store them only in dry rooms. Keep the battery packs and chargers dry at all times.

Battery acid may leak from damaged batteries under extreme load or extreme temperatures. In case of contact with battery acid, wash it off immediately with soap and water. In case of eye contact, rinse thoroughly for at least 10 minutes and immediately seek medical attention.

No metal parts must be allowed to enter the battery section of the charger (short circuit risk).

ADDITIONAL BATTERY SAFETY WARNINGS

⚠ WARNING! To reduce the risk of fire, personal injury, and product damage due to a short circuit, never immerse the product, battery pack, or charger in fluid or allow fluid to flow inside them. Corrosive or conductive fluids, such as seawater, certain industrial chemicals, and bleach or bleach-containing products, etc., can cause a short circuit.

SPECIFIED CONDITIONS OF USE

The product is intended for driving nails into wood or similar soft materials from a magazine containing a strip of suitable nails. The nails which can be safely loaded into the magazine for the product are described in the product specification table in this manual. Do not use any other type of nail or fixing with the product. Do not operate the product in contact actuation mode while working on scaffold, ladder, or other platform where a change in working position is required. Use only full sequential mode in this case. The product should not be used for fixing electric cables.

Do not use the product for any other purpose.

RESIDUAL RISKS

Even when the product is used as prescribed, it is still impossible to completely eliminate certain residual risk factors. The following hazards may arise during use and the operator should pay special attention to avoid the following:

- injury caused by vibration
 - Hold the product by designated handles and restrict working time and exposure.
- hearing injury caused by exposure to noise
 - Restrict exposure and wear appropriate hearing protection
- injuries due to flying debris
 - Wear appropriate personal protective equipment, heavy long trousers, gloves, substantial footwear, and safety glasses, at all times.
- health hazards caused by breathing toxic dusts
 - Wear a mask if necessary.

BATTERIES

Battery packs that have not been used for some time should be recharged before use.

Temperatures in excess of 50 °C reduce the performance of the battery pack. Avoid extended exposure to heat or sunshine (risk of overheating).

The contacts of the chargers and battery packs must be kept clean. For an optimum lifetime, the battery packs have to be fully charged after use.

To obtain the longest possible battery life, remove the battery pack from the charger once it is fully charged.

For battery pack storage longer than 30 days:

- Store the battery pack where the temperature is below 27 °C and away from moisture.
- Store the battery packs in a 30% – 50% charged condition.
- Every six months of storage, charge the pack as normal.

BATTERY PACK PROTECTION

In extremely high torque, binding, stalling, and short circuit situations that cause high current draw, the product vibrates for about 5 seconds, the fuel gauge flashes, and then the product turns off. To reset, release the trigger.

Under extreme circumstances, the internal temperature of the battery pack could raise too much. If this happens, the fuel gauge flashes until the battery pack cools down. After the lights go off, continue working.

TRANSPORTING LITHIUM BATTERIES

Lithium-ion batteries are subject to the Dangerous Goods Legislation requirements.

Transportation of those batteries has to be done in accordance with local, national, and international provisions and regulations.

Batteries can be transported by road without further requirements.

Commercial transport of lithium-ion batteries by third parties is subject to Dangerous Goods Regulations. Transport preparation and transport are exclusively to be carried out by appropriately trained persons and the process has to be accompanied by corresponding experts.

When transporting batteries:

- Ensure that the battery contact terminals are protected and insulated to prevent short circuit.
- Ensure that the battery pack is secured against movement within the packaging.
- Do not transport batteries that are cracked or leaking.
- Check with the forwarding company for further advice.

OPERATION

There are two ways for working with the product (See graphics section):

- Single sequential actuation
 - Drive the fastener by pulling the trigger.
- Contact (bump) actuation
 - Hold the trigger and drive the fastener by pushing the product against the workpiece.

RELOAD INDICATOR

To indicate that the magazine is almost empty of fasteners (about 4-5 left), the workpiece contact does not compress, preventing operation under usual pressure. Install more fasteners to continue working.

SETTING THE DEPTH OF THE DRIVE (SEE GRAPHICS SECTION)

Know what is behind the workpiece. A fastener could travel through the workpiece and out the other side, striking a bystander and causing serious injury. Lower the depth of drive to prevent the fastener from being pushed all the way through the workpiece.

TEMPERATURE PROTECTION MODE

The temperature protection mode protects the product when it is used at extreme cold/hot temperatures (outside the recommended ambient operating temperature range), or the product overheats/ freezes during use. If this happens, the product does not run and the power button/actuation indicator LEDs flashes alternately. Allow the product to warm up/cool down before use.

CLEARING A JAMMED FASTENER

Most jams are caused by a fastener or part of a fastener wedging between the driver blade and the nail guide. Fastener strips with an incorrect collation angle or the wrong fastener gauge may cause continuous jamming.

To clear the jam:

1. Remove battery pack.
⚠ WARNING! Always point the product away from yourself and others when installing or removing fasteners. Failure to do so could result in injury.
2. Remove the fastener strip from magazine.
3. Remove the fastener using needle-nose pliers. If necessary, remove the magazine from the product.
4. Follow the steps under "Required daily testing" before restarting the work.

REQUIRED DAILY TESTING

⚠ WARNING! To reduce the risk of injury to yourself and others, test the tool before beginning work each day or if the tool is dropped, received a sharp blow, been run over, etc. Complete the following checklist in order. If the product does not work as it should, contact a MILWAUKEE service centre immediately.

Always point the product away from yourself and others.

1. Remove the battery pack.
⚠ Warning! Always point then product away from yourself and others when installing fasteners. Failure to do so could result in injury.
2. Check all screws, bolts, nuts, and pins on the product. Any loose fasteners must be tightened.
3. Pull back the fastener pusher on the magazine (to override the reload indicator) and press the workpiece contact against a workpiece. It must move smoothly.
4. With the workpiece contact pressed against the workpiece, pull the trigger. It must move smoothly.
5. Insert the battery pack.
6. Select the single sequential actuation operation. Without pulling the trigger, pull back the fastener pusher on the magazine (to override the reload indicator) and press the workpiece contact against a workpiece. The product must not operate. Holding the workpiece contact away from the workpiece, pull back the fastener pusher on the magazine (to override the reload indicator). Pull and hold the trigger for 5 seconds. The product must not operate. Continue to pull and hold the trigger, and push the workpiece contact against a workpiece. The product must not operate. Without pulling the trigger, pull back the fastener pusher on the magazine (to override the reload indicator) and press the workpiece contact against a workpiece. Pull the trigger. The product must operate. Release the trigger. The driver must move up.
7. Select the contact actuation operation. Holding the workpiece contact away from the workpiece, pull back the fastener pusher on the magazine (to override the reload indicator) and pull the trigger. The product must not operate. Continue to pull and hold the trigger, and push the workpiece contact against a workpiece. The product must operate.

8. If all previous tests work properly, set the product for your work. Select the operation and load fastener strips.
9. Set the depth of drive according to the "Setting the depth of drive" section and see the graphics section.
10. If all tests operate properly, the product is ready for use. Repeat these tests before use each day or if the product is dropped, received a sharp blow, been run over, jammed, etc.

MAINTENANCE

⚠ DANGER! Contains gas under pressure. In order to avoid injury, never attempt to open or modify the product. The product must be repaired and serviced by authorized MILWAUKEE service centre only.

The ventilation slots of the machine must be kept clear at all times. Use only MILWAUKEE accessories and MILWAUKEE spare parts. Should components that have not been described need to be replaced, contact one of our MILWAUKEE service centres (see our list of guarantee or service addresses).

If needed, an exploded view of the product can be ordered. State the product type and the serial number on the label, and order the drawing at your local service centres.

SYMBOLS



Read the instructions carefully before starting the product.



CAUTION! WARNING! DANGER!



Remove the battery pack before starting any work on the product.



Always wear goggles when using the product.



Wear ear protectors.



Wear a suitable dust protection mask.



Wear gloves.



Fastener type
Diameter
Min/Max length



Keep hands away.



Content under pressure. Do not open the product. Serious injury may occur. Return to an authorised service centre for all repairs.

n_0

No-load-speed

V

Voltage



Direct current



Do not dispose of waste batteries, waste electrical and electronic equipment as unsorted municipal waste. Waste batteries and waste electrical and electronic equipment must be collected separately. Waste batteries, waste accumulators and light sources have to be removed from equipment. Check with your local authority or retailer for recycling advice and collection point. According to local regulations retailers may have an obligation to take back waste batteries and waste electrical and electronic equipment free of charge. Your contribution to re-use and recycling of waste batteries and waste electrical and electronic equipment helps to reduce the demand of raw materials. Waste batteries, in particular containing lithium and waste electrical and electronic equipment contain valuable, recyclable materials, which can adversely impact the environment and the human health, if not disposed of in an environmentally compatible manner. Delete personnel data from waste equipment, if any.

類型	電動釘槍
電池電壓	18 V ---
循環率	3 釘/秒
調整角度	0°
緊固件類型	釘釘
直徑	1.6 毫米
最小/最大長度	25 毫米 - 64 毫米
釘子匣容量 (釘子的數量)	110 支
根據 EPTA-Procedure 01/2014 的重量 (2.0 Ah - 12.0 Ah)	3.2 公斤 - 4.4 公斤
建議操作環境溫度	-18 - +50 °C
建議電池類型	M18B... , M18 HB... ,
建議充電器	M12-18... , M18 DFC, M18 PC6
噪聲資訊	
噪聲釋放值根據 EN 60745 確定。	
A加權聲壓量	83.2 dB (A)
不確定性的測量 K	3 dB (A)
A加權聲功率級	94.2 dB (A)
不確定性的測量 K	3 dB (A)
務必佩戴防護耳罩。	
振動資訊	
依EN 60745所測的振動總值 (三軸向量總和)。	
振動釋放值 a_h	1.98 m/s ²
不確定性的測量 K	1.5 m/s ²

警告!

本說明書所提供的聲明的振動總值和噪聲釋放值是依標準化測試所測得，且可能用於與另一個工具進行比較。該等級可用來初步評估風險。聲明的振動和噪聲釋放值代表的是本工具的主要應用。然而，如果用於不同的應用、使用不同的配件或保養不當，振動釋放值和噪聲釋放值也可能不同。這可能會在整個工作週期內顯著增加風險等級。

評估振動和噪聲暴露的等級還應考慮本工具開機時的時間，或當工具運轉但卻未實際使用的時間。這可能會明顯降低整個工作週期內的風險等級。

請確認額外的安全措施，以保護使用者不受振動和噪聲的影響，例如：保養產品與配件、保持手部溫暖和井然有序的工作方式。

 **警告!** 請閱讀本電動工具隨附的所有安全警告、說明、插圖及規格。不遵循這些警告和說明會導致觸電、火災和/或嚴重傷害。

將所有警告和說明保存好，方便以後查閱。

電動釘槍安全警告

總是假定本工具包含緊固件。不小心操作釘槍可能會導致緊固件意外射出，並且造成人身傷害。

不要將工具指向自己或附近的任何人。意外的啟動將使緊固件彈出，以致造成傷害。

除非將工具牢固地放在工件上，否則不要啟動工具。如果工具跟工件未有接觸，則緊固件可能偏離目標。

當緊固件卡在產品中時，請取出電池組。取出卡住的緊固件時，如果插入電池組，釘槍可能會意外地啟動。

取出卡住的緊固件時要格外小心。當嘗試釋放卡住的狀態，機械裝置可能處於壓縮狀態，緊固件亦可能強制彈出。

切勿以釘槍固定電纜。它不是為電纜安裝設計的，並可能損壞電纜的絕緣部份，從而導致觸電或火災。

佩戴防護耳罩。暴露在噪聲中可能會導致聽力受損。

若作業時釘子有可能接觸隱藏的電線，請握住電動工具的絕緣抓握面。釘子接觸火線可能會導致電動工具裸露的金屬部分帶電，可能會導致使用者觸電。

務必佩戴帶側護罩的護目鏡。日常眼鏡只有抗衝擊眼鏡片。它們不是安全眼鏡。遵循此規則將降低嚴重人身傷害的風險。

護目鏡有助防止從前面及側面飛濺的顆粒。當裝載、操作或維修本工具時，在工作範圍的使用者及其他人都務必經常戴上護目鏡。需要護目鏡以防止可能導致嚴重眼傷的飛濺的緊固件和碎屑。

調整驅動輪的深度之前，請務必取出電池組。不要向後拉動調節輪，調節輪設計成可旋轉的。

調整驅動輪的深度時，請勿按下扳機。調整驅動裝置的深度之前，務必先選擇完整的射釘模式。

調整驅動裝置的深度時，請勿將工具對準自己或附近的任何人。

其他安全和工作說明

請務必注意，誤用和不當使用本工具可能會對您自己及他人造成傷害。

本工具專為單手使用而設計。切勿以釘匣的正面握著本工具。切勿將手、頭或身體的其他部位接近釘匣的底部（釘子的出口），否則可能造成嚴重的人身傷害。

務必確保工件的接觸點完全置於工作的上方。如果工件接觸點只是部分置於在工件的上方，可能無法在工件上打釘，並且導致嚴重的人身傷害。

切勿在物料的邊緣打釘。工件可能裂開，導致釘子反彈，並傷害您或同事。請注意釘子可能跟隨木頭的紋理，導致從工作物料的側邊意外地突出彎曲，從而可能造成傷害。

保持您的手及身體部位遠離當前工作區域。有需要時以夾具夾住工件，保持雙手及身體遠離潛在的傷害。將緊固件壓在材料前，確保工件已妥當地固定。接觸工件可能導致工作中的物料意外移動。在受限的區域內工作時，保持臉部和身體部位遠離工具蓋的後面。突然的反沖力可以對身體造成衝擊，尤其當在硬或緻密中的材料上打釘時。

正常使用時，工具在釘入緊固件後立刻反彈。這是產品的正常功能。切勿嘗試將工具靠在工件上來防止反衝。對後坐力的限制，可能導致第二個緊固件在工具中被驅動。緊握著把手，讓工具完成工作；在任何時間，切勿將另一只手放在工具的上方或接近排氣口。不注意此警告可能會導致嚴重的人身傷害。

請勿在其他緊固件的頂部或使用工具以過陡的角度驅動緊固件，否則可能會導致緊固件偏斜，從而造成傷害。

在此類工作區域上使用產品之前，請務必檢查工作區域是否有隱藏的電線、煤氣管道、水管等。

在接觸啟動模式上使用產品後，將其切換回完全順序模式。

釘子的打入深度可以調節到超過氣壓。建議在廢工件上測試深度，以確定應用所需的深度。

本產品只能與技術數據表中的描述相符的緊固件一起使用。使用不正確的緊固件可能會導致卡住或其他故障。

在您可能需要移動身體位置的腳手架、梯子或平台上工作時，請勿選擇接觸啟動模式。如果選擇了接觸啟動模式，則可能在四處走動時意外激活接觸工件，從而無意中射出釘子。在移動位置時，選擇完全順序啟動或通過移除電池組完全停用產品。這將減少傷害自己和他人的可能性。

電池組安全說明

請勿將用過的電池組與家庭廢棄物混合或燃燒電池組。MILWAUKEE 經銷商提供舊電池組回收，以保護我們的環境。

請勿將電池組與其他金屬物品一起存放（可能引起短路）。

僅可使用 M18 系統充電器對 M18 系統電池組進行充電。請勿使用其他系統的電池組。

不可拆開電池組和充電器。電池組和充電器必須儲藏在乾燥的空間，勿讓濕氣滲入。必須經常保持乾燥。

在極端負載或極端溫度下，損壞的電池組可能漏出內部酸液。若碰觸到電池組酸液，請即刻用肥皂與清水洗去。若酸液接觸到眼睛，以清水徹底沖洗至少10分鐘後立即就醫。

切勿讓金屬部份接觸充電器的電池組部份（有短路危機）。

附加電池組安全警告

警告！為了減少因短路而導致火災、人身傷害和產品損壞的風險，請勿將工具、電池組或充電器浸沒在液體中或使液體流入其中。腐蝕性或導電性液體（如海水、某些工業化學品、以及漂白劑或含漂白劑的產品等）都會導致短路。

特定使用條件

該工具設計用於從一條裝有合適釘子的釘匣中將釘子釘入木材或類似的軟木料中。本操作說明書中的技術規格中描述了可以安全地裝入釘匣中的釘子。切勿使用其他類型的釘子或固定工具。在需要改變工作位置的情況，如在腳手架、梯子或其他平台上工作時，切勿以接觸啟動模式操作產品。在這種情況下，請僅使用完全順序模式。切勿以釘鎚固定電纜。

請勿將本工具用於任何其他目的。

殘餘風險

即便已按規定使用產品，仍然不可能完全消除某些殘留的風險因素。使用時可能會出現以下危險，使用者應特別注意以下事項：

- 振動引起的損傷
 - 握住產品指定的把手，並限制工作時間的長短及暴露風險。
- 因接觸噪聲導致聽力傷害
 - 限制接觸時間的長短和佩戴適當的聽力保護設備。
- 因飛濺的碎片而受傷
 - 務必每刻都穿戴適當的個人防護設備，厚的長褲、手套、結實的鞋類和安全眼鏡。
- 因吸入有毒的粉塵所導致的健康危害
 - 必要時可佩戴防護面罩。

電池組

久未使用的電池組必須重新充電後再使用。

超過50 °C的高溫會降低電池組的效能。避免暴露於高溫或陽光下（可能導致過熱）。

充電器和電池組的接觸點處應保持清潔。

為確保最佳電池組使用壽命，電池組使用後應再完全充電。

為確保電池組的最長壽命，充電完成後，勿將電池組繼續留在充電器上。

電池組儲存時間長於30日：

- 將電池組存放於溫度低於27 °C的環境，且避免受潮；
- 將電池組保持在充電量30% - 50%的狀態
- 存放中的電池組應每六個月照常充電一次。

電池組過載保護

因一些諸如極高的扭力、外物附著、突然停機和線路短路發生的情況下，會導致高電流消耗此等情況下，產品將振動約5秒，電池組燈閃爍，然後產品將停止及關閉。如要重置，鬆開扳機。

在極端情況下，電池組內部的溫度可能變得太大。如果發生這種情況，電池燈會閃爍直至電池組冷卻下來。燈熄滅後，可以繼續工作。

運轉鋰電池組

鋰離子電池組須受制於危險品法例的要求。

運送鋰電池組必須在符合當地、國家及國際標準及法例的情況下進行。

使用者可於陸地上運送電池組而毋須受限；

第三方負責的商業式鋰電池組運送須受制於危險品法例。運送的預備及過程必須由受專業訓練的人士進行，亦必須得到專家在場監管。

運送電池組時：

- 請確保電池組接觸端子受到嚴密保護及經過絕緣，防止短路；
- 請確保電池組妥善包裝，防止碰撞磨擦；
- 切勿運送已有裂痕或已有洩漏的電池組。
- 建議與運送公司緊密聯繫以獲得進一步資訊。

操作

此產品有兩種操作方法（另請參見圖片部分）：

- 單次順序啟動
 - 扣動扳機驅動緊固件。
- 接觸（觸碰）啟動：
 - 握住扳機，並且將釘槍推向工件以驅動緊固件。

重裝指示燈

為了表明釘子倉裡幾乎沒有緊固件（約餘下4-5個左右），工件接觸點將不會壓縮，防止在通常的壓力下運行。安裝更多的緊固件以繼續工作。

設置驅動裝置的深度（參閱圖片部份）

知道在工件後面有甚麼物件。緊固件可能穿過工件及從另一側穿出，並撞到旁觀者以及造成嚴重傷害。降低驅動裝置的深度，以防止緊固件被完全推入工件。

溫度保護模式

在極冷/極熱溫度（超出推薦的環境工作溫度範圍）下使用時或產品在使用過程中過熱/凍結時，溫度保護模式可保護產品。如果發生這種情況，產品將不會運行並且電源按鈕/啟動 LED 指示燈會交替閃爍。使用前讓產品預熱/冷卻。

清除卡住的緊固件

大多數卡住是由緊固件或緊固件的一部分卡在驅動裝置刀片及釘子引導件之間的一個緊固件引起的。排列角度不正確的緊固件或錯誤的緊固件類型，可能導致連續卡住。

如要清除堵塞物：

1. 取出電池組。

⚠ 警告！ 安裝或取下緊固件時，請務必使本工具遠離您自己及他人。否則可能導致人身傷害。

2. 從釘子匣上取下固定帶。
3. 用尖嘴鉗取下緊固件。如有必要，請從工具取出釘子匣。
4. 在重新開始工作之前，請執行「必須的每日測試」下的步驟。

必須的每日測試

⚠ 警告！ 為了減少對自己和他人造成傷害的風險，每天開始工作前或是如果工具已經掉落、受到猛烈撞擊、被碾壓的情況下等等，請先進行測試。按順序填寫以下清單。如果產品無法正常工作，請立即與 MILWAUKEE 服務機構聯繫。

務必將產品遠離自己及他人。

1. 取出電池組。

⚠ 警告！ 安裝緊固件時，請務必使本產品遠離您自己及他人。否則可能導致人身傷害。

2. 檢查產品上的所有螺絲、螺柱、螺母和鋼釘。必須擰緊任何鬆動的緊固件。
3. 拉回釘子匣上的緊固件推動器（以覆蓋重新裝載指示燈），並將工件接觸點壓向工件。必須平穩地移動。
4. 將工件接觸點壓在工件上，扣動扳機。必須平穩地移動。
5. 插入電池組。
6. 選擇單次順序啟動操作。在不扣動扳機的情況下，拉回釘子匣上的緊固件推動器（以覆蓋重新裝載指示燈），並將工件接觸點壓向工件。產品不能操作。將工件接觸點保持遠離工件，拉回釘子匣上的緊固件推動器（以覆蓋重新裝載指示燈）。拉動並按住扳機5秒鐘。產品不能操作。繼續扣動並按住扳機，將工件接觸點壓向工件。產品不能操作。在不扣動扳機的情況下，拉回釘子匣上的緊固件推動器（以覆蓋重新裝載指示燈），並將工件接觸點壓向工件。扣動扳機。產品能操作。鬆開扳機。驅動裝置必須向上移動。
7. 選擇接觸啟動操作。將工件接觸點遠離工件，將夾具上的緊固件推動器拉回（以覆蓋重新裝載指示燈），並且扣動扳機。產品不能操作。繼續扣動並按住扳機，將工件接觸點推向工件。產品能操作。
8. 如果之前所有測試都正常工作，請為您的工作設置產品。選擇操作和加載緊固釘子。
9. 根據「設置驅動裝置的深度」部分設置驅動的深度，並且參閱圖片部份。
10. 如果所有測試都正常運行，此產品就可以使用了。每天使用之前或者如果產品已經掉落、受到猛烈撞擊、被碾壓，卡住了等情況下，重複這些測試。

維修

⚠ 危險！ 內含壓力氣體。為了避免受傷，切勿嘗試打開或改裝產品。只能由授權的 MILWAUKEE 服務中心維修和保養。

本產品的通風孔必須時刻保持暢通。

只能使用 MILWAUKEE 配件和備件。如果需要更換的組件在此沒有介紹，請與其中一個 MILWAUKEE 服務代理機構聯繫（參見我們的維修/服務地址列表）。

如果需要，可以訂閱產品的分解圖。諮詢圖件時，請您向當地的顧客服務中心提供以下資料：銘牌上的產品號碼及機型。

符號



啟動產品前，請仔細閱讀本說明。



注意！警告！危險！



對產品進行任何工作前，先移除電池組。



使用本產品時務必佩戴護目鏡。



佩戴防護耳罩。



戴上適當的防塵口罩。



佩戴手套。



緊固件類型

直徑
最小/最大長度



保持雙手遠離



受壓的物件。請勿打開產品。可能會發生嚴重傷害。返回授權服務中心進行所有維修。

n_0

無負載轉速

V

電壓



直流電

类型	电动钉枪
电池电压	18 V ---
循环率	3钉/秒
校对的角度	0°
紧固件类型	铜钉类型
直径	1.6 毫米
最小/最大长度	25 毫米 - 64 毫米
钉子匣容量（钉子的数量）	110 支
根据 EPTA-Procedure 01/2014 的重量 (2.0 Ah - 12.0 Ah)	3.2 公斤 - 4.4 公斤
建议操作环境温度	-18 - +50 °C
建议电池类型	M18B..., M18 HB...
建议充电器	M12-18..., M18 DFC, M18 PC6
噪声信息	
噪声释放值根据 EN 60745 确定。	
A-值音压值	83.2 dB (A)
不确定性的测量 K	3 dB (A)
A-值声功率值	94.2 dB (A)
不确定性的测量 K	3 dB (A)
务必佩戴防护耳罩。	
振动信息	
依欧盟EN 60745 标准确定的振动总值（三方向矢量和）。	
振动值 a_h	1.98 m/s ²
不确定性的测量 K	1.5 m/s ²

警告！

本说明书所提供的声明的振动总值和噪声释放值是依标准化测试所测得，且可能用于与另一个工具进行比较。该等级可用来初步评估风险。声明的振动和噪声释放值代表的是本工具的主要应用。然而，如果用于不同的应用、使用不同的配件或保养不当，振动释放值和噪声释放值也可能不同。这可能会在整个工作周期内显著增加风险等级。

评估振动和噪声暴露的等级还应考虑本工具关机时的时间，或当工具运转但却未实际使用的时间。这可能会明显降低整个工作周期内的风险等级。

请确认额外的安全措施，以保护使用者不受振动和噪声的影响，例如：保养产品与配件、保持手部温暖和井然有序的工作方式。

警告！ 阅读此电动工具提供的所有安全警告、说明、插图和说明。不遵循这些警告和说明会导致触电、火灾和/或严重伤害。

保存好所有警告和说明书以备查阅。

电动钉枪安全警告

务必假定本工具包含紧固件。不小心操作钉枪可能会导致紧固件意外着火，并且造成人身伤害。

不要将工具指向自己或附近的任何人。意外的启动将使紧固件弹出，以致造成伤害。

除非将工具牢固地放在工件上，否则不要启动工具。如果工具跟工件未有接触，则紧固件可能偏离目标。

当紧固件卡在产品中时，请取出电池组。卸下卡住的紧固件时，如果插入电池，钉枪可能会意外地启动。

卸下卡住的紧固件时要格外小心。它可能处于压缩状态，机械装置可能处于压缩状态，紧固件亦可能强制弹出。

切勿以钉枪固定电缆。它不是为电缆安装设计的，并可能损坏电缆的绝缘部份，从而导致触电或火灾。

佩戴防护耳罩。暴露在噪声中可能会导致听力受损。

当作业时切割附件可能接触隐藏的接线或自己的电线时，只能握住电动工具的绝缘把手。切割刀片接触火线可能会导致电动工具裸露的金属部分带电，可能会导致操作人员触电。

务必佩戴带侧罩的护目镜。日常眼镜只有抗冲击眼镜片。它们不是安全眼镜。遵循此规则将降低严重人身伤害的风险。

护目镜有助防止从前面及侧面飞来的颗粒。当装载、操作或维修本产品，在工作范围的操作者及他人人都务必经常戴上护目镜。需要护目镜以防止可能导致严重眼伤的飞行紧固件和碎屑。

调整驱动轮的深度之前，请务必取出电池。不要向后拉调节轮，轮子设计成可旋转的。

调整驱动轮的深度时，请勿按下扳机。调整驱动装置的深度之前，务必先选择完整的射击模式。

调整驱动器的深度时，请勿将产品对准自己或附近的任何人。

其他安全和工作说明

请务必注意，滥用和不当使用本产品可能会对您自己及他人造成伤害。

本产品专为单手使用而设计。切勿以钉匣的正面握着本产品。切勿将手、头或身体的其他部位接近钉匣的底部（钉子的出口），否则可能造成严重的人身伤害。

务必确保工件的触点完全置于工作的上方。如果工件接触的部分只是部份定位在工件的上方，可能无法在工件上打钉，并且导致严重的人身伤害。

切勿在物料的边缘打钉。工件可能裂开，导致钉子反弹，并伤害您或同事。请注意钉子可能跟随木头的纹理，导致从工作物料的侧边意外地突出弯曲，从而可能造成伤害。

保持您的手及身体部份远离当前工作区域。有需要时以夹具夹住工件，保持双手及身体远离潜在的伤害。将紧固件压在材料前，确保工件已妥当地稳固。接触工件可能导致工作中的物料意外移动。在限制的区域内部工作时，保持脸部及身体局部远离产品盖的后面。突然的反冲力可以对身体造成冲击，尤其是在硬或密度中的材料上打钉时。

正常使用时，工具在钉入紧固件后立刻后退。这是产品的正常功能。切勿尝试以靠在工件上握着产品来防止反弹。限制后坐力，可能导致第二个紧固件在产品中被驱动。紧握着把手，让产品完成工作；在任何时间，切勿将另一只手放在产品的上方或接近排气口。不注意此警告可能会导致严重的人身伤害。

请勿将紧固件驱动在其他紧固件的顶部或与产品成过陡的角度，否则可能会导致紧固件偏斜，从而造成伤害。

在此类工作区上使用产品之前，请务必检查工作区是否有隐藏的电线、气体管线、水管等。

在接触启动模式下使用产品后，将其切换回完整顺序模式。

钉子的打入深度可以调节到超过气压。建议测试废料工件的深度，以确定应用所需的深度。

本产品只能使用与技术数据表中的描述相符的紧固件。使用不正确的紧固件可能会导致卡住或其他故障。

在您可能需要移动身体位置的手脚架、梯子或平台上工作时，请勿选择接触驱动模式。如果选择了接触驱动模式，则可能移动时接触工件，意外地触发钉子。在移动位置时，选择完整顺序启动或通过卸下电池组完全停用产品。这将减少伤害自己和他人的可能性。

电池组安全说明

用过的电池组不可以丢入火中或一般的家庭垃圾中。美沃奇经销商提供旧电池组回收，以保护我们的环境。

电池组不可以和金属物体存放在一起（可能产生短路）。

M18 系列的电池组只能和 M18 系列的充电器配合使用。不可以使用其他系列的电池组。

不可拆开电池组和充电器。电池组和充电器必须储藏在干燥的空间，勿让湿气渗入。必须经常保持干燥。

在过度超荷或极端的温度下，可能从损坏的电池组中流出液体。如果触摸了此液体，必须马上使用肥皂和大量清水冲洗。如果此类液体侵入眼睛，马上用清水彻底清洗眼睛（冲洗至少10分钟），接着立刻就医治疗。

切勿让金属部分接触充电器的电池组部份（有短路危机）。

附加电池组安全警告

警告！为了减少因短路而导致火灾、人身伤害和产品损坏的风险，请勿将工具、电池组或充电器浸没在流体中或使流体流入其中。腐蚀性或导电性流体（如海水、某些工业化学品、以及漂白剂或含漂白剂的产品等）都会导致短路。

特定使用条件

产品的钉匣包含适当钉子条，可以在木条或相类的软物料上打钉。本操作说明书中的技术规格中描述了可以安全地装入钉匣中的钉子。切勿使用其他类型的钉子或以产品固定。在需要改变工作位置的情况，如在手脚架、梯子或其他平台上工作时，切勿以接触模式使用产品。在这种情况下，请使用完整顺序模式。切勿以钉枪固定电缆。

请勿将本产品用于任何其他目的。

其他风险

即使产品按规定使用，依然无法完全消除某些剩余风险因素。使用过程中可能出现以下危险，操作者应注意避免：

- 振动引起的损伤
 - 握住产品指定的把手，并限制工作时间和暴露风险。
- 因接触噪声导致听力伤害
 - 限制接触时长并佩戴合适的听力防护设备。
- 因飞溅的碎片而受伤
 - 务必每刻都穿戴适当的个人防护设备，厚的长裤、手套、结实的鞋类和安全眼镜。
- 吸入有毒的粉尘而导致的健康危险
 - 在必要的情况下请佩戴防护面具。

电池组

长期存放的电池组必须先充电再使用。

超过50 °C 的高温会降低电池组的效能。避免暴露于高温或阳光下（可能导致过热）。

充电器和电池组的接触点处应保持清洁。

为获得最长寿命，使用后应把电池组充满电。

为确保最长使用寿命，充电后应把电池组从充电器中取出。

电池组储藏时间大于30天的存放要求：

- 环境温度低于27 °C 的阴凉干燥处存放电池组；
- 电池组状态为30% - 50%电量下存储电池组；
- 每6个月给电池组充电1次。

电池组超载保护

因一些诸如极高的扭力、外物附着、突然停机和线路短路发生的情况下，会导致高电流消耗。此等情况下，产品将振动约5秒，电池组灯闪烁，然后产品将停止及关闭。如要重置，松开扳机。

在极端情况下，电池组的内部温度可能会变高。如果发生这种情况，电池灯会闪烁，直至电池组冷却下来。灯熄灭后，可以继续工作。

锂电池组的运输

锂电池组属于危险货品并受制于危险货品运输条例。

此电池组的运输必须遵守地方、国家和国际法律规定。

用户在公路上运输此电池组不必遵守特殊规定；

锂电池组的商业性运输受制于危险货品运输条例的规定。运输准备和运输必须由受过专业培训的人员进行。全程必须由专业人员监督。

运输电池组时必须注意到下列事项：

- 为避免短路，必须确保电池组接点的防护和绝缘；
- 确保包装中的电池组包不会滑动；
- 严禁运输已损坏或已产生泄漏的电池组。
- 更多运输建议请联系运输公司。

操作

此产品有两种操作方法（另请参见图片部分）：

- 单次顺序驱动
 - 拉动扳机驱动紧固件。
- 接触（碰）启动：
 - 握住扳机，并且将钉枪推向工件以驱动紧固件。

重装指示灯

为了表明钉子仓匣几乎没有紧固件（约余下4-5左右），工件接触点将不会压缩，防止在通常的压力下运行。安装更多的紧固件以继续工作。

「设置驱动深度」（参阅图片部份）

知道在工件后面有什么物件。紧固件可以穿过工件及从另一侧移动，

并撞到旁观者以及造成严重伤害。降低驱动器的深度，以防止紧固件被完全推入工件。

温度保护模式

极冷/极热温度（超出推荐的环境工作温度范围）下使用时或产品在使用过程中过热/冻结时，温度保护模式在保护产品。如果发生这种情况，产品将不会运行并且电源按钮/启动指示灯 LED 会交替闪烁。使用前让产品预热/冷却。

清除卡住的紧固件

大部份堵塞由紧固件或部份紧固件卡在驱动刀片及钉子引导件之间的一个紧固件引起的。不正确对角的紧固件或错误的紧固件类型，可能导致连续的堵塞。

如要清除堵塞物：

1. 取出电池组。

▲ 警告！ 安装紧固件时，请务必使本产品远离您自己及他人。无法达成将可能导致人身伤害。

2. 从钉子上卸下卸下固定带。

3. 用尖嘴钳卸下紧固件。如有必要，请从产品中移除钉子匣。

4. 在重新开始工作之前，请执行「必需的每日测试」下的步骤。

必需的每日测试

▲ 警告！ 为了减少对自己和他人造成伤害的风险，每天开始工作前或是如果工具已经掉落，受到很大的打击，已经被撞到等等，请先进行测试。按顺序填写以下清单。如果产品无法正常工作，请立即与美沃奇服务机构联系。

务必将产品远离自己及他人。

1. 取出電池組。

▲ 警告！ 安装紧固件时，请务必使本产品远离您自己及他人。无法达成将可能导致人身伤害。

2. 检查产品上的所有螺丝、螺栓、螺母和钢钉。必须拧紧任何松动的紧固件。

3. 拉回钉子仓匣上的紧固推动器（以覆盖重新装载指示灯），并将工件触点压向工件。必须顺利地进行。

4. 将工件接触点压在工件上，拉动扳机。必须顺利地进行。

5. 插入电池组。

6. 选择单次顺序启动操作。不拉动扳机，拉回钉子仓匣上的紧固推动器（以覆盖重新装载指示灯），并将工件触点压向工件。产品不能操作。将工件接触点保持远离工件，拉回钉子仓匣上的紧固推动器（以覆盖重新装载指示灯）。拉住扳机5秒钟。产品不能操作。继续拉动并按住扳机，将工件接触件推向工件。产品不能操作。不拉动扳机，拉回钉子仓匣上的紧固推动器（以覆盖重新装载指示灯），并将工件触点压向工件。拉动扳机。产品能操作。释放扳机。驱动器必须向上移动。

7. 选择接触启动操作。将工件接触远离工件，将夹具上的紧固件推动器拉回（以覆盖重新装载指示器），并且拉动扳机。产品不能操作。继续拉动并按住扳机，将工件接触点推向工件。产品能操作。

8. 如果之前所有测试都正确地奏效，请为您的工作设置产品。选择操作和加载紧固钉子。

9. 根据「设置驱动深度」部分设置驱动的深度，并且参阅图片部份。

10. 如果所有测试都正常运行，此产品就可以使用了。每次使用之前或如果产品已经掉落，受到很大的打击，已经被撞到，卡住了等情况下，重复这些测试。

维修

▲ 危险！ 内含压力气体。为了避免受伤，切勿尝试打开或改装产品。只能由授权的美沃奇服务中心维修产品。

本产品的通风孔必须时刻保持畅通。

只能使用美沃奇的附件和零件。如果需要更换未描述的组件，请联系我们的美沃奇服务代理（请参阅我们的认可/维修的地址列表）。

如果需要，可以索取产品的分解图。在标签上注明产品类型和序列号，然后在当地服务中心订购图纸。

符号



启动产品前，请仔细阅读本说明书。



注意！警告！危险！



在产品上开始任何工作之前，请先取出电池组。



使用本产品时务必佩戴护目镜。



佩戴防护耳罩。



戴上适当的防尘罩。



佩戴手套。



紧固件类型
直径
最小/最大长度



保持双手远离



受压的物件。请勿打开产品。可能会发生严重伤害。返回授权服务中心进行所有维修。

n_0

空载转速

V

电压



直流电

请勿将废电池组、废电器、废电子设备等废弃物作为未分类城市废弃物进行处理。必须分开回收废电池组、废电器及废电子设备。

废锂电池组、废电池组和灯源必须从设备上拆下。请与当地相关部门或经销商联系，了解回收建议和收集地点。

根据地区规定，零售商有义务免费回收废电池组、废电器和废电子设备。

您对重用及回收废电池组、废电器及废电子设备作出贡献，有助于减少原料需求。废电池组，特别是含有锂和含有可回收利用的有价值物质的废电器、废电子设备，如果不以与环境兼容的方式废弃，可能会对环境和人类健康产生不良影响。

如果废电子设备中有任何个人数据，请在弃置前删除。

기술 데이터	M18 FN16GS
유형	무선 네일러
배터리 전압	18 V $\overline{---}$
사이클 속도	3/sec
대조각	0°
패스너 유형	브레드 스타일
직경	1.6 mm
최소/최대 길이	25 mm - 64 mm
매거진 용량(네일 수)	110
EPTA 규정 01/2014에 따른 중량(2.0 Ah - 12.0 Ah)	3.2 kg - 4.4 kg
권장 주변 작동 온도	-18 - +50 °C
권장 배터리 팩	M18B..., M18 HB...
권장 충전기	M12-18..., M18 DFC, M18 PC6
소음 정보	
EN 60745에 따라 결정되는 소음 방출 값	
가중치 음압 레벨	83.2 dB (A)
불확정성 K	3 dB (A)
가중치 음향 파워 레벨	94.2 dB (A)
불확정성 K	3 dB (A)
항상 보안경을 착용하십시오.	
진동 정보	
EN 60745에 따라 판별한 전체 진동 값(3개 축의 벡터 합계)	
진동 방출 값 a_{h1}	1.98 m/s ²
불확정성 K	1.5 m/s ²

A 경고!

이 지침 설명서에 표시되어 있는 진동 총 수치와 소음 방출 수치는 표준화된 테스트에 따라 측정되었으며 공구끼리 서로 비교하는 데 사용할 수 있습니다. 노출 예비 평가에 사용할 수 있습니다.

표시된 진동 및 소음 방출 수치는 공구의 주 용도로 사용 시에 측정된 값을 나타냅니다. 하지만 공구를 다른 용도로 사용하거나, 다른 부속품과 함께 사용하거나, 부실하게 유지보수할 경우에는 진동 및 소음 방출 수준이 달라질 수 있습니다. 이런 조건은 총 작업 시간에 대한 노출 수준을 상당히 증가시킬 수 있습니다.

진동 및 소음 노출 수준을 추정할 때는 공구의 전원을 끄거나 공회전되는 시간을 고려해야 합니다. 이런 조건은 총 작업 시간에 대한 노출 수준을 상당히 감소시킬 수 있습니다.

공구와 부속품의 유지, 손의 보온 상태 유지(진동의 경우), 작업 패턴 구성과 같이, 작업자를 진동 및 소음의 영향으로부터 보호하기 위한 추가 안전 대책을 파악하십시오.

A 경고! 공구와 함께 제공된 제반 안전 경고, 사용 설명서, 그림 및 사양을 숙지하십시오. 아래의 지침을 따르지 않으면 전기 충격, 화재 및 중대한 부상을 초래할 수 있습니다.

항후 참조할 수 있도록 경고 문구와 설명서를 잘 보관해 두십시오.

무선 네일러 안전 경고

항상 공구에 패스너가 포함되어 있음을 가정하십시오. 네일러를 부주의하게 취급할 경우 예기치 않게 패스너가 발생되어 인원의 부상을 초래할 수 있습니다.

공구를 자신이나 근처에 있는 사람을 향해 겨누지 마십시오. 예기치 않은 트리거로 인해 패스너가 토출되어 부상을 야기할 수 있습니다.

공구가 작업편에 단단히 고정되어 있지 않을 경우 공구를 작동하지 마십시오. 공구가 작업편과 접촉하지 않으면 패스너가 목표물을 벗어날 수 있습니다.

제품에 패스너가 걸리면 배터리 팩을 분리하십시오. 걸린 패스너를 분리하는 동안 배터리 팩을 삽입하면 네일러가 우발적으로 작동될 수 있습니다.

걸린 패스너를 분리하는 동안 주의를 기울이십시오. 공구가 가압 상태일 수 있으며, 걸린 조건을 해결하려고 할 때 패스너가 강하게 토출될 수 있습니다.

이 못 박는 기계를 전선 케이블을 고정할 목적으로 사용하지 마십시오. 이 공구는 전선 케이블 설치용으로 설계되지 않았으며 전선 케이블의 절연을 손상시켜 감전이나 화재 위험을 야기할 수 있습니다.

귀마개를 착용하십시오! 소음에 노출되면 청력 손상을 입을 수 있습니다.

손톱이 숨겨진 배선에 닿을 수 있는 작업을 수행할 때는 절연 그림 표면으로 제품을 잠으십시오. "전기가 흐르는" 배선과 접촉하는 네일이 "전기가 흐르는" 제품의 금속 부분에 노출되어 작업자에게 전기 쇼크를 유발할 수 있습니다.

항상 측면 실드가 있는 보안경을 착용하십시오. 매일 착용하는 안경에는 충격 방지 렌즈만 있습니다. 안전한 안경이 아닙니다. 이 규칙을 준수하면 심한 상해의 위험을 줄일 수 있습니다.

눈 보호 장치는 정면과 측면에서 날아오는 입자로부터 보호하며, 이 제품을 적재, 작동 또는 정비할 때는 항상 작업 영역의 작업자와

다른 사람이 눈 보호 장치를 착용해야 합니다. 눈에 심한 부상을 입힐 수 있는 날아가는 파스너와 부스거기를 방지하려면 눈 보호 장치가 필요합니다.

구동 휠 깊이를 조절하기 전에 항상 배터리를 분리하십시오. 조절 휠을 뒤로 당기지 마십시오. 휠은 회전하도록 설계되었습니다.

구동 휠의 깊이를 조절하는 동안 트리거를 누르지 마십시오. 드라이브 깊이를 조절하기 전에 항상 전체 순차 발사 모드를 선택하십시오.

주행 깊이를 조절할 때 공구가 자신이나 주변 사람을 향하지 않게 하십시오.

추가적인 안전 및 작업 지침

이 제품을 잘못 사용하거나 부적절하게 취급하면 자신과 다른 사람이 부상을 입을 수 있다는 점을 항상 명심하십시오.

이 제품은 한 손으로 사용하도록 설계되었습니다. 매거진 앞쪽으로 제품을 잡지 마십시오. 네일이 제품을 빠져 나가는 매거진 바닥 근처에 손, 머리 또는 기타 신체 부위를 두지 마십시오. 심각한 신체 부상이 발생할 수 있습니다.

항상 작업면 접촉부가 작업면 위에 완전히 놓였는지 확인하십시오. 작업면 접점을 작업면 위에 부분적으로만 배치하면 네일이 작업면을 완전히 놓칠 수 있으며 이로 인해 심각한 부상이 초래될 수 있습니다.

재료의 가장자리 근처에 못을 박지 마십시오. 작업편이 갈라져 네일이 튀어나와 사용자 또는 동료가 부상을 입을 수 있습니다. 네일이 목재 결을 따라 움직여 작업면 재료의 측면에서 예기치 않게 튀어 나오거나 변형되어 부상을 야기할 수 있습니다.

손과 신체 부위가 작업 공간에 닿지 않도록 하십시오. 손과 신체가 잠재적인 피해를 입지 않도록 필요한 경우 클램프로 작업편을 잡으십시오. 파스너를 재료에 대고 누르기 전에 작업편이 올바르게 고정되어 있는지 확인하십시오. 작업면 접촉으로 인해 작업편 재료가 예기치 않게 이동될 수 있습니다. 제한된 장소에서 작업할 때는 얼굴과 신체 부위를 공구 랩 뒷면에 가까이 두지 마십시오. 급격한 반동은 특히 딱딱하거나 조밀한 재료에 못을 박는 경우 신체에 영향을 줄 수 있습니다.

정상적으로 사용하는 동안 파스너가 구동하는 즉시 제품이 반동됩니다. 이는 본 제품의 정상적인 작동에 따른 것입니다. 제품을 공작물에 대고 반동을 방지하려고 시도하지 마십시오. 반동을 제한하려면 제품에서 두 번째 파스너가 구동될 수 있습니다. 손잡이를 확실히 잡고 제품이 작동하도록 하되 다른 손을 제품 상단이나 토출구 근처에 두지 마십시오. 이 경고를 무시할 경우 심각한 부상이 초래될 수 있습니다.

파스너를 다른 파스너 위로 또는 제품을 너무 가파른 각도로 끼우지 마십시오. 파스너가 휘어져 부상을 야기할 수 있습니다.

작업 구역에서 제품을 사용하기 전에 항상 숨겨진 배선, 가스관, 수도관 등이 있는지 확인하십시오.

점점 작동 모드에서 제품을 사용한 후 전체 순차 모드로 다시 전환하십시오.

네일의 구동 깊이는 기압을 넣어서 조절할 수 있습니다. 스크립 작업편에서 깊이를 테스트하여 적용에 필요한 깊이를 결정하는 것이 좋습니다.

이 제품에는 기술 데이터 표의 설명과 일치하는 파스너만 사용할 수 있습니다. 부적절한 파스너를 사용하면 걸림 또는 기타 오작동이 발생할 수 있습니다.

신체 위치를 이동해야 하는 발판, 사다리 또는 플랫폼에서 작업할 때는 접촉 작동 모드를 선택하지 마십시오. 접촉 작동 모드를 선택할 경우 이동하는 동안 작업편이 우발적으로 작동하여 의도치 않게 네일이 발사될 수 있습니다. 위치를 이동할 때 전체 순차 활성화를 선택하거나 배터리 팩을 분리하여 제품을 완전히 비활성화하십시오. 이렇게 하면 자신과 다른 사람이 부상을 입을 가능성이 줄어 듭니다.

배터리 관련 안전 지침

사용된 배터리 팩을 가정용 쓰레기와 함께 폐기하거나, 태우지 마십시오. 밀폐기 전동공구 유통회사들에서 환경 보호를 위해 폐기할 배터리를 회수하는 것을 제안드립니다.

배터리 팩을 금속 물체와 함께 보관하지 마십시오(단락 회로 위험). M18 시스 배터리 팩을 충전하려면 M18 시스 충전기만 사용하십시오. 다른 시스템의 배터리 팩을 사용하지 마십시오.

배터리 팩과 충전기를 개방하지 말고, 건조한 곳에 보관하십시오. 배터리 팩과 충전기는 항상 건조한 상태로 유지하십시오.

극심한 부하 또는 극심한 온도 조건에서 손상된 배터리로부터 배터리 산이 누출될 수 있습니다. 배터리 산과 접촉할 경우, 비눗물로 즉시 세척하십시오. 눈과 접촉할 경우, 최소 10분 동안 철저히 세정한 후 즉각적인 의료 조치를 취하십시오.

충전기의 배터리 부위에 어떤 금속 조각도 들어가서는 안됩니다(합선 위험이 있습니다).

추가 배터리 안전 주의 사항

A 경고! 단락 회로로 인한 화재, 작업자 부상 및 제품 손상 위험을 줄이려면 제품, 배터리 팩 또는 충전기를 유체에 침수시키거나 유체가 내부로 흘러들어가지 않도록 해야 합니다. 해수, 특정한 산업용 화학 물질 및 표백제 또는 표백제 함유 제품 같은 부식성 또는 전도성 유체 등은 단락 회로를 야기할 수 있습니다.

지정된 사용 조건

본 제품은 적절한 네일 스트립을 포함하는 매거진에서 목재 또는 이와 유사한 부드러운 재료로 네일을 구동하도록 고안되었습니다. 제품 매거진에 안전하게 넣을 수 있는 네일은 이 설명서의 제품 사양 표에 설명되어 있습니다. 다른 종류의 제품을 사용하거나 네일러로 고정하지 마십시오. 발판, 사다리 또는 작업 위치 변경이 필요한 기타 플랫폼에서 작업할 때는 접촉식 작동 모드에서 작동하지 마십시오. 이 경우 전체 순차 모드를 사용하십시오. 제품을 전기 케이블 고정에 사용해서는 안됩니다.

다른 목적으로 제품을 사용하지 마십시오.

산류 위험

제품을 설명서대로 사용하더라도 위험 요소를 완전히 제거하는 것은 여전히 불가능합니다. 제품 사용 중 다음과 같은 위험 요소가 발생할 수 있으며, 작업자는 다음 사항을 회피하기 위해 세심한 주의가 기울여야 합니다.

- 진동으로 인한 부상
 - 지정된 핸들을 이용해 제품을 붙잡아 사용하고 작업 시간과 진동에 대한 노출을 적절히 제한하십시오.
- 소음 노출로 인한 청력 저하 청각 장애.
 - 소음에 대한 노출을 억제하고 적절한 청각 보호장치를 착용합니다.
- 튀어 나오는 파편으로 인한 부상
 - 항상 적절한 보호 장구. 두텁고 긴 바지, 장갑, 튼튼한 신발 및 보안경을 착용하십시오.
- 독성 먼지 흡입으로 인한 건강 위험
 - 필요한 경우 마스크를 착용하십시오.

배터리

오랫 동안 사용하지 않은 배터리 팩은 사용하기 전에 충전해야 합니다.

50 °C를 초과하는 온도는 배터리 팩의 성능을 저하시킵니다. 열이나 햇빛에 오래 노출시키지 마십시오(과열 위험).

충전기 점점 및 배터리 팩을 청결한 상태로 유지해야 합니다.

최적의 수명을 보장하려면 사용한 후에 배터리 팩을 완전히 충전해야 합니다.

배터리 수명을 최대한 연장하려면 완전히 충전된 경우 충전기에서 배터리 팩을 제거하십시오.

30일 이상 배터리 팩을 보관하는 경우:

- 온도가 27 °C 이하이며 습기가 없는 장소에 배터리 팩을 보관하십시오.
- 배터리 팩을 30% - 50% 충전된 조건으로 보관하십시오.

- 보관한지 6개월이 경과할 때마다 팩을 정상적으로 충전하십시오.

배터리 팩 보호

매우 높은 토크에서, 고전류 드로우를 야기하는 결속, 실속 및 단락 회로 상황이 발생하고, 공구가 약 5초 동안 진동하며 연료 게이지가 깜박임 다음, 공구가 꺼집니다. 재설정하려면 트리거를 해제하십시오.

극심한 환경 조건에서, 배터리 팩의 내부 온도가 급격히 상승할 수 있습니다. 온도가 급격히 상승하면 배터리 팩이 냉각될 때까지 연료 게이지가 깜박입니다. 조영이 꺼진 후 작업을 계속 진행하십시오.

리튬 배터리의 운송

리튬 이온 배터리는 위험물 법을 요건의 적용을 받습니다.

이 배터리는 현지, 국내 및 국제 규정과 법규에 따라 운송해야 합니다.

배터리는 추가 요구 사항 없이 도로를 통해 운송할 수 있습니다. 타사 리튬 이온 배터리의 상업적 운송은 위험물 규정에 따릅니다. 운송 준비 및 운송 작업은 적절히 교육을 이수한 개인만 수행해야 하고 그 과정에 해당 전문가가 동행해야 합니다.

배터리 운송 시:

- 배터리 접촉면을 보호 및 차단하여 합선 위험을 방지하십시오.
- 배터리 팩이 포장 내에서 움직이지 않도록 고정시키십시오.
- 균열 또는 누출이 있는 배터리는 운송하지 마십시오.
- 추가 지침은 운송 회사에 확인하십시오.

작동

제품을 작동하는 두 가지 방법이 존재합니다(그림 섹션 참조):

- 단일 순차 작동
 - 트리거를 당겨 패스너를 구동시킵니다.
- 접촉(버프) 작동
 - 트리거를 잡고 제품을 작업면에 대고 밀어 패스너를 구동합니다.

재장전 지시기

매거진에 패스너가 거의 비어 있음을 나타냄(약 4~5 좌측), 작업편 접점이 압축되지 않음, 일반적인 압력 조건에서 작동 방지. 더 많은 패스너를 설치하여 작업을 계속하십시오.

드라이브 깊이 설정(그림 섹션 참조)

작업편 뒤에 무엇이 있는지 확인하십시오. 패스너가 작업편을 통과하여 다른 쪽을 지나쳐 주변 사람을 치고 심각한 부상을 야기할 수 있습니다. 패스너가 작업편을 통해 끝까지 밀리지 않도록 드라이브 깊이를 낮추십시오.

과열 보호 모드

과열 보호 모드는 매우 차가운/뜨거운 온도(권장된 주변 작동 온도 범위를 벗어난 온도)에서 사용 시 제품을 보호하거나 사용하는 동안 제품이 과열/냉동되는 것을 방지합니다. 이러한 현상이 발생할 경우, 제품이 작동하지 않고 전원 버튼/작동 표시등 LED 가 번갈아가면서 점멸합니다. 사용하기 전에 제품을 예열하거나 냉각하십시오.

걸림 패스너 빼내기

대부분의 걸림 현상은 드라이버 블레이드와 네일 가이드 사이 패스너 또는 패스너 헛징 부분에 의해 야기됩니다. 부적절한 대조각 또는 잘못된 패스너 게이지가 있는 패스너 스트립이 지속적인 걸림 현상을 유발할 수 있습니다.

걸림 현상을 없애는 방법:

1. 배터리 팩을 분리합니다.

⚠ 경고! 패스너 설치 또는 분리 시 항상 제품이 자신과 타인을 향하지 않도록 하십시오. 이를 준수하지 않을 경우 부상이 초래될 수 있습니다.

2. 매거진에서 패스너 스트립을 분리합니다.
3. 니들 노즈 플라이어를 사용해 패스너를 분리합니다. 필요한 경우, 제품에서 매거진을 분리합니다.
4. 작업을 재개하기 전에 "필수 일상 점검 작업" 섹션의 단계를 따르십시오.

필수 일상 점검 작업

⚠ 경고! 자신과 타인의 부상 위험을 줄이려면 일상 작업을 시작하기 전 또는 공구를 떨어뜨리고 심한 충격을 가하거나 던진 경우 공구를 점검하십시오. 다음 점검표에 따라 순서대로 점검하십시오. 제품이 적절히 작동하지 않으면 MILWAUKEE 서비스 센터에 즉시 연락하십시오.

항상 제품이 자신과 타인을 향하지 않도록 하십시오.

1. 배터리 팩을 분리합니다.

⚠ 경고! 패스너 설치 시 항상 제품이 자신과 타인을 향하지 않도록 하십시오. 이를 준수하지 않을 경우 부상이 초래될 수 있습니다.

2. 제품의 나사, 볼트, 너트 및 핀을 모두 점검하십시오. 느슨한 패스너는 조여야 합니다.
3. 매거진(재장전 지시기 오버라이드)에 있는 패스너 푸셔를 뒤로 당기고 작업편 접점을 작업면에 대고 누릅니다. 부드럽게 움직여야 합니다.
4. 작업편 접점을 작업면에 대고 누른 상태에서 트리거를 당깁니다. 부드럽게 움직여야 합니다.
5. 배터리 팩을 삽입합니다.
6. 단일 순차 작동 운전 모드를 선택합니다. 트리거를 당기지 않은 상태에서 매거진(재장전 지시기 오버라이드)에 있는 패스너 푸셔를 뒤로 당기고 작업편 접점을 작업면에 대고 누릅니다. 제품이 작동하지 않아야 합니다. 작업편 접점을 작업편과 멀리 둔 상태에서 매거진(재장전 지시기 오버라이드)에 있는 패스너 푸셔를 뒤로 당깁니다. 트리거를 5초 동안 계속 당깁니다. 제품이 작동하지 않아야 합니다. 트리거를 계속 당기고 작업편 접점을 작업면에 대고 밀니다. 제품이 작동하지 않아야 합니다. 트리거를 당기지 않은 상태에서 매거진(재장전 지시기 오버라이드)에 있는 패스너 푸셔를 뒤로 당기고 작업편 접점을 작업면에 대고 누릅니다. 트리거를 당깁니다. 제품이 작동해야 합니다. 트리거를 해제합니다. 구동부가 위로 이동해야 합니다.
7. 점점 작동 운전 모드를 선택합니다. 작업편 접점을 작업편과 멀리 둔 상태에서 매거진(재장전 지시기 오버라이드)에 있는 패스너 푸셔를 뒤로 당기고 트리거를 당깁니다. 제품이 작동하지 않아야 합니다. 트리거를 계속 당기고 작업편 접점을 작업면에 대고 밀니다. 제품이 작동해야 합니다.
8. 이전의 모든 테스트에서 제품이 적절히 작동하면 공구를 사용하여 작업할 준비를 하십시오. 운전 모드를 선택하고 패스너 스트립을 장전합니다.
9. 드라이브 깊이 설정 섹션에 따라 드라이브 깊이를 설정하고 그림 섹션을 참조하십시오.
10. 모든 테스트 과정 동안 제품이 적절히 작동하면 제품이 사용 준비를 마친 것입니다. 매일 사용하기 전 또는 제품을 떨어뜨리고 심한 충격을 가하거나 던지고 걸린 경우 이러한 점검 작업을 반복합니다.

유지 관리

⚠ 위험! 가압된 가스를 포함하고 있습니다. 부상을 방지하려면 제품을 개방하거나 개조하려고 시도하지 마십시오. 본 제품은 공인 MILWAUKEE 서비스 센터에서만 수리하고 경정비해야 합니다. 장비의 환기구는 항상 청결히 유지해야 합니다.

반드시 MILWAUKEE 부속품과 MILWAUKEE 예비품을 사용하십시오. 언급하지 않은 구성 부품을 교체해야 하는 경우 MILWAUKEE 서비스 센터 중 한 곳에 문의하십시오(보증/서비스 주소 목록 참조).

필요 시, 제품의 분해 조립도를 주문할 수 있습니다. 라벨에 인쇄되어 있는 제품 유형과 6자리 번호를 알려주고 현지 서비스 대리점에서 도면을 주문하십시오.

기호



제품 사용 전, 설명서를 자세히 읽으십시오.



주의! 경고! 위험!



제품 분리 혹은 청소 전, 배터리 팩을 제거하십시오.



제품을 사용할 때 항상 보안경을 착용하십시오.



귀마개를 착용하십시오!



적합한 분진 보호 마스크를 착용하십시오.



장갑을 착용하십시오!



패스너 유형
직경
최소/최대 길이



손을 가까이 두지 마십시오.



가압된 내용물이 포함되어 있습니다. 제품을 개방하지 마십시오. 심각한 부상이 발생할 수 있습니다. 모든 수리 서비스를 위해 제품을 공인 서비스 센터에 반품하십시오.

n_0

무부하 속도

V

전압



직류



폐 배터리, 폐 전기 및 전자 장비를 분류되지 않은 가정용 폐기물로 처리하지 마십시오. 폐 배터리와 폐 전기 및 전자 장비는 별도로 수거해야 합니다. 폐 배터리, 폐기물 어쿠뮬레이터 및 광원은 장비에서 제거해야 합니다. 재활용에 관한 조건과 수거 지점에 대해서는 지방 정부당국이나 소매업자에게 확인하십시오. 현지 규정에 따라 소매업체는 폐 배터리와 폐 전기 및 전자 장비를 무상으로 회수할 의무가 있을 수 있습니다. 폐 배터리와 폐 전기 및 전자 장비를 재사용하고 재활용하면 원자재 수요를 줄이는 데 도움이 됩니다. 특히 리튬이 포함된 폐 배터리와 폐 전기 및 전자 장비에는 가치 있고 재활용 가능한 재료가 포함되어 있어 환경 친화적인 방식으로 폐기하지 않으면 환경과 인간의 건강에 악영향을 끼칠 수 있습니다. 해당하는 경우, 폐 장비에서 개인 데이터를 삭제합니다.

ข้อมูลทางเทคนิค**M18 FN16GS**

ประเภทผลิตภัณฑ์	เครื่องยิงตะปูไร้สาย
แรงดันไฟแบตเตอรี่	18 V ---
อัตรารอบ	3/sec
มุมเทียบ	0°
ประเภทตัวยึด	รูปแบบ Brad
เส้นผ่านศูนย์กลาง	1.6 mm
ความยาวต่ำสุด/สูงสุด	25 mm – 64 mm
ความจุของตลับ (จำนวนตะปู)	110
น้ำหนักตามขั้นตอนของ EPTA 01/2014 (2.0 - 12.0 Ah)	3.2 kg – 4.4 kg
อุณหภูมิในการทำงานที่แนะนำ	-18 – +50 °C
แบตเตอรี่แนะนำ	M18B..., M18 HB...
แท่นชาร์จที่แนะนำ	M12-18..., M18 DFC, M18 PC6

ข้อมูลเกี่ยวกับเสียงรบกวน

ค่าการปล่อยเสียงรบกวนที่กำหนดตามมาตรฐาน EN 60745

ระดับแรงดันของเสียงที่ถ่วงน้ำหนัก A	83.2 dB (A)
ค่า K แปรผัน	3 dB (A)
ระดับกำลังของเสียงที่ถ่วงน้ำหนัก A	94.2 dB (A)
ค่า K แปรผัน	3 dB (A)

ใส่อุปกรณ์ป้องกันดวงตาระหว่างใช้งาน

ข้อมูลเกี่ยวกับการสั่น

ค่าการสั่นสะเทือนรวม (ผลรวมเวกเตอร์ในสามแกน) ที่กำหนดตาม EN 60745

ค่าการปล่อยการสั่นสะเทือน a_{h}	1.98 m/s ²
ค่า K แปรผัน	1.5 m/s ²

คำเตือน!

ค่าการสั่นสะเทือนรวมที่ระบุและค่าระดับเสียงดังรบกวนที่ระบุในเอกสารคู่มือการใช้งานฉบับนี้ได้รับการวัดผลตามการทดสอบที่เป็นไปตามมาตรฐานและอาจนำไปใช้เพื่อเปรียบเทียบเครื่องมือหนึ่งๆ กับผลิตภัณฑ์อื่น สามารถใช้สำหรับการประเมินความเสี่ยงในเบื้องต้น

ค่าการสั่นสะเทือนและการเสียงดังรบกวนที่ระบุเป็นข้อมูลสำหรับการใช้งานหลักของเครื่องมือ อย่างไรก็ตาม หากเครื่องมือถูกใช้งานผิดประเภท กับอุปกรณ์เสริมที่แตกต่างกัน หรือการบำรุงรักษาไม่ดีพอ ระดับการสั่นสะเทือนและเสียงดังรบกวนอาจจะแตกต่างกันออกไป สภาพเหล่านี้อาจทำให้ระดับความเสี่ยงเพิ่มขึ้นอย่างมีนัยสำคัญตลอดช่วงระยะเวลาการทำงานทั้งหมด

ควรพิจารณาประเมินระดับความเสี่ยงของการสั่นและเสียงดังรบกวนทุกครั้งที่เปิดเครื่องมือหรือขณะที่ใช้เครื่องมือที่เครื่องกำลังเดินเบา สภาพเหล่านี้อาจทำให้ระดับความเสี่ยงลดลงอย่างมีนัยสำคัญตลอดทั้งระยะเวลาการทำงาน

ระบุมาตรการความปลอดภัยเพิ่มเติมเพื่อปกป้องผู้ปฏิบัติงานจากผลกระทบของการสั่นสะเทือนและเสียงดังรบกวน เช่น การบำรุงรักษาเครื่องมือและอุปกรณ์เสริม รักษามือให้อบอุ่น (ในกรณีการสั่นสะเทือน) และจัดระเบียบการทำงาน

คำเตือน! อ่านวิธีใช้ ภาพประกอบ ข้อมูลจำเพาะ และคำเตือนด้านความปลอดภัยทั้งหมดที่กำกับผลิตภัณฑ์ การไม่ปฏิบัติตามคำแนะนำที่แสดงอยู่ด้านล่าง อาจทำให้เกิดไฟฟ้าช็อต เพลิงไหม้ และ/หรือการบาดเจ็บรุนแรงได้ โปรดเก็บเอกสารคำเตือนและคำแนะนำทั้งหมดเพื่อใช้อ้างอิงในอนาคต

คำเตือนด้านความปลอดภัยของเครื่องยิงตะปูไร้สาย

ให้คิดเหมือนกันว่าเครื่องมือมีตำยอยู่เสมอ การใช้เครื่องยิงตะปูไร้สายอย่างไม่ระมัดระวังอาจส่งผลให้เกิดการยิงตะปูโดยไม่ได้ตั้งใจและการบาดเจ็บส่วนบุคคลได้

ห้ามหันเครื่องมือเข้าหาตัวหรือคนอื่นที่อยู่ใกล้เคียง การสั่นไถ่โดยไม่ได้ตั้งใจจะเป็นอันตรายต่อผู้ยิงตะปูไปส่งผลให้เกิดการบาดเจ็บ

ห้ามเปิดให้เครื่องมือทำงาน ยกเว้นในกรณีที่ว่างานเครื่องมือกับชิ้นงานอย่างมั่นคงแล้ว หากเครื่องมือไม่ได้สัมผัสกับชิ้นงานอยู่ ตำยิตอาจกระดอนออกจากเป้าหมายของคุณ

ถอดแบตเตอรี่ออกเมื่อสวิตช์ตำยิตติดขัดในตำแหน่งปิด เมื่อนำตัวยึดที่ติดขัดออกจากตัวผลิตภัณฑ์ เครื่องยิงตะปูอาจเปิดทำงานโดยไม่ได้ตั้งใจถ้ายังมีแบตเตอรี่ใส่ไว้

ใช้ความระมัดระวังในการถอดตัวยึดที่ติดอยู่ กลไกอาจอยู่ภายใต้แรงอัด และอาจมีการยิงตัวยึดออกมาอย่างรวดเร็วในขณะที่พยายามจะแก้ไขปัญหาดัดขัด

อย่าใช้เครื่องยิงตะปูเพื่อตัดสายไฟ เครื่องนี้ไม่ได้รับการออกแบบสำหรับการตัดตัดสายไฟ และอาจสร้างความเสียหายกับฉนวนของสายไฟ ซึ่งจะส่งผลให้เกิดไฟฟ้าช็อตหรือเพลิงไหม้ได้

โปรดสวมอุปกรณ์ป้องกันที่ได้ยิน เสียงดังเกินไปอาจทำให้สูญเสียความสามารถในการได้ยิน

ถือผลิตภัณฑ์ตรงพื้นผิวจับยึดซึ่งมีการหุ้มฉนวน เมื่อปฏิบัติงานในสภาพที่เปียกชื้นสัมผัสกับสายไฟที่เดินไว้ที่ซ่อนอยู่ ตะปูที่สัมผัสกับสายไฟที่ "มีกระแสไฟฟ้า" อาจทำให้ชิ้นส่วนโลหะของผลิตภัณฑ์ "มีกระแสไฟฟ้า" และอาจทำให้ผู้ปฏิบัติงานถูกไฟฟ้าช็อตได้

ให้สวมอุปกรณ์ป้องกันดวงตาชนิดที่มีกรอบป้องกันด้านข้างเสมอ เว้นแต่ถ้าไม่มีเลนส์ที่ด้านแรงกระแทกอย่างเฉียบพลัน ซึ่งไม่ถือเป็นแว่นกันภัย การปฏิบัติตามกฎนี้จะช่วยลดความเสี่ยงจากการบาดเจ็บรุนแรงของบุคคล

อุปกรณ์ป้องกันดวงตาจะให้การป้องกันต่อวัตถุที่กระเด็นทั้งจากด้านหน้าและด้านข้าง และจะผู้ใช้งานรวมถึงบุคคลที่อยู่ในพื้นที่ทำงานจะต้องสวมไว้

เสมอนิขณะไหล **ใช้งาน หรือซ่อมบำรุงผลิตภัณฑ์** จะต้องสวมอุปกรณ์ป้องกันดวงตาเพื่อป้องกันตัวฉีดหรือเศษวัสดุที่อาจกระเด็นมาเข้าดวงตาทำให้เกิดการบาดเจ็บรุนแรงได้

ให้ถอดแบตเตอรี่ออกก่อนปรับความลึกของล้อขับเคลื่อน อย่าตั้งล้อปรับถอยหลัง ล้อปรับได้รับการออกแบบเพื่อให้ง่ายเท่านั้น

ห้ามกดเปิดทำงานในขณะปรับความลึกของล้ออื่น ให้เลือกโหมดการยิงแบบต่อเนื่องเพื่อระบบก่อนปรับความลึกการยิงเสมอ

อย่าใช้เครื่องมือเข้าหาตัวคุณเองหรือบุคคลที่อยู่ใกล้เคียงในขณะปรับความลึกการยิง

คำแนะนำเพิ่มเติมเรื่องความปลอดภัยและการใช้งาน

ให้ระมัดระวังการปฏิบัติงานที่ไม่ถูกต้องตามวัตถุประสงค์การออกแบบและการจัดการผลิตภัณฑ์อย่างไม่ถูกต้องอาจทำให้ตัวคุณเองและบุคคลอื่นได้รับบาดเจ็บ

ผลิตภัณฑ์นี้ออกแบบมาให้ใช้กับมือเดียวได้ อย่างไรก็ตามผลิตภัณฑ์ที่ด้านหน้าของตัวประกอบ อยุ่อย่างมีมือ สวิตช์ หรือส่วนอื่น ๆ ของร่างกายไปใกล้กับด้านล่างของตัวประกอบจะป้อนอาจออกจากผลิตภัณฑ์ และอาจทำให้บุคคลได้รับบาดเจ็บรุนแรงได้

ให้แน่ใจว่าน้ำหนักผู้ใช้งานอยู่ในตำแหน่งเหนือชิ้นงานอย่างเหมาะสมเสมอ การวางตำแหน่งน้ำหนักผู้ใช้งานเหนือชิ้นงานเพียงบางส่วนอาจทำให้ปะทะจะยึดไม่ตรงเป้าหมายเช่นงานอย่างแม่เย็บ และอาจทำให้บุคคลได้รับบาดเจ็บได้

ห้ามยิงตะปูใกล้กับขบวีสต์ ชิ้นงานวางแยกออกจากกัน ซึ่งทำให้ตะปูติดกลับ ทำให้เพื่อนร่วมงานของคุณได้รับบาดเจ็บได้ พึงระวังว่าตะปูอาจลงไปตามแนวกรงของไม้ ทำให้ยื่นออกจากด้านข้างของวีสต์ชิ้นงานหรือเบรคโดยไม่คาดหมาย ซึ่งอาจทำให้บุคคลได้รับบาดเจ็บได้

รักษาให้มือและส่วนของร่างกายห่างจากพื้นที่ทำงานยึดวัสดุ ใช้ตัวหนีบจับยึดชิ้นงานไว้ หากจำเป็น เพื่อไม่ให้มือและร่างกายของผู้ใช้ได้รับอันตรายที่เป็นไปได้ ตรวจสอบให้แน่ใจว่าชิ้นงานถูกยึดอย่างมั่นคงเหมาะสมก่อนที่จะกดตัวยึดลงบนวัสดุ หน้าสัมผัสชิ้นงานอาจทำให้วัสดุทำงานเคลื่อนตัวทั้งหมดโดยตั้งใจ ดลที่จับใหม่และส่วนของร่างกายของคุณห่างจากด้านหลังของฝาครอบผลิตภัณฑ์ในขณะทำงานในพื้นที่จำกัด การสะท้อนกลับหรืออาจส่งผลให้เกิดแรงกระแทกต่อร่างกาย โดยเฉพาะเมื่อยิงตะปูลงในวัสดุแข็งหรือเน้น

ในระหว่างการใช้งานตามปกติ ผลิตภัณฑ์จะสะท้อนกลับในพื้นที่หลังจากยิงตัวยึด การสะท้อนกลับเป็นกลไกการทำงานตามปกติของผลิตภัณฑ์ อย่างไรก็ตามเพื่อป้องกันไม่ให้เกิดยึดสะท้อนกลับโดยการกดบนลวดยึดแบบกึ่งชิ้นงาน การจำกัดการสะท้อนกลับอาจส่งผลให้ตัวยึดตัวถัดไปถูกยิงออกจากผลิตภัณฑ์ได้ กิ่งที่จับใหม่ปล่อยให้เครื่องมือทำงาน และห้ามวางมืออีกข้างที่ด้านบนของเครื่องมือหรือใกล้กับจุดปลดกำลัง การไม่ปฏิบัติตามคำแนะนำนี้อาจทำให้ได้รับบาดเจ็บสาหัส

อย่ายิงตัวยึดลงไปด้านบนของตัวยึดอื่น หรือกับเครื่องมือที่มียึดด้านบนลงขึ้น เนื่องจากอาจทำให้ตัวยึดสะท้อนกลับ และทำให้บุคคลได้รับบาดเจ็บได้

ตรวจสอบพื้นที่ทำงานว่ามีสายไฟฟ้ซ่อนไว้ ห่อแค้ม หน่อไม้ ฯลฯ ก่อนใช้งาน ผลิตภัณฑ์ในพื้นที่เหล่านั้นเสมอ

หลังจากใช้งานผลิตภัณฑ์ในโหมดกระตุ้นน้ำหนักสัมผัส ให้สลับกลับไปยังโหมดต่อเนื่องเพื่อระบบเสมอ

สามารถปรับตั้งความลึกของการยิงมากกว่าแรงดันลมได้ ขอแนะนำให้ทดสอบความลึกกับชิ้นงานที่ไม่ใช่ไม้ เพื่อกำหนดหาความลึกที่ต้องการสำหรับการใช้งาน

ให้ใช้เฉพาะตัวยึดกับผลิตภัณฑ์นี้ตามที่ระบุไว้ในตารางข้อมูลทางเทคนิคเท่านั้น การใช้ตัวยึดที่ไม่ถูกต้องอาจทำให้เกิดการติดขัดหรือการทำงานผิดปกติอื่นๆ ของผลิตภัณฑ์

อย่าเลือกโหมดกระตุ้นน้ำหนักสัมผัสหรือทำงานบนกระดาน ปืนไค หรือแท่นยิงซึ่งอาจต้องเคลื่อนให้ตำแหน่งของร่างกาย ถ้าเลือกโหมดกระตุ้นน้ำหนักสัมผัส คุณอาจยิงตะปูโดยไม่ตั้งใจจากการกระตุ้นน้ำหนักสัมผัสขึ้นมาในขณะเคลื่อนที่ร่างกาย เมื่อเคลื่อนย้ายตำแหน่ง ให้เลือกโหมดการเปิดใช้งานแบบต่อเนื่องเพื่อระบบ หรือปิดใช้งานผลิตภัณฑ์โดยการถอดแบตเตอรี่ออก การดำเนินการนี้จะลดความเป็นไปได้ของการได้รับบาดเจ็บของคุณเองและผู้อื่น

คำแนะนำเกี่ยวกับความปลอดภัยสำหรับแบตเตอรี่

ห้ามทิ้งแบตเตอรี่ที่ใช้แล้วกับขยะรีไซเคิลหรือโดยการเผาหลาย ผู้แทนจำหน่ายของ MILWAUKEE มีข้อเสนอในการจัดการแบตเตอรี่เก่าเพื่อปกป้องสภาพแวดล้อมของเรา

ไม่เก็บชุดแบตเตอรี่ไว้รวมกับวัตถุอื่นที่เป็นโลหะ (เสี่ยงต่อการลัดวงจร)

ชาร์จชุดแบตเตอรี่ System M18 ด้วยตัวชาร์จสำหรับ System M18 เท่านั้น อย่าใช้แบตเตอรี่จากระบบอื่น ๆ

ห้ามเปิดหลายแบตเตอรี่และเครื่องชาร์จและเก็บไว้ในห้องที่แห้งเท่านั้น เก็บก้อนแบตเตอรี่และอุปกรณ์ชาร์จในที่แห้งตลอดเวลา

กรดแบตเตอรี่อาจรั่วจากแบตเตอรี่ที่เสียหายภายใต้อุณหภูมิสูงหรือการใช้งานที่หนักมากเกินไป หากสัมผัสกับกรดแบตเตอรี่ ให้ล้างออกทันทีด้วยน้ำสบู่ หากกรดแบตเตอรี่เข้าตา ล้างตาให้ทั่วอย่างน้อย 10 นาทีและไปพบแพทย์ทันที ห้ามไม่ให้มีชิ้นส่วนที่เป็นโลหะในส่วนแบตเตอรี่ของตัวชาร์จ (เสี่ยงลัดวงจร)

คำเตือนเพิ่มเติมเกี่ยวกับความปลอดภัยของแบตเตอรี่

A คำเตือน! วัสดุความเสียหายในการเกิดไฟไหม้ การบาดเจ็บส่วนบุคคล และความเสียหายต่อผลิตภัณฑ์ จากการลัดวงจร อย่างเช่น เครื่องมือ แบตเตอรี่ หรือเครื่องชาร์จ ไฟลงในของเหลวหรือปล่อยให้ของเหลวซึมเข้าสู่ภายใน ของเหลวที่มีฤทธิ์กัดกร่อน หรือน้ำไปฟิวอาจก่อให้เกิดการลัดวงจรได้ เช่น น้ำมัน สารเคมีทางอุตสาหกรรมบางชนิด และผลิตภัณฑ์ที่ออกซิหรือมีส่วนผสมการฟอสไฟ เป็นต้น

สภาพการใช้งานที่กำหนด

ผลิตภัณฑ์นี้ได้รับการออกแบบให้ยิงตะปูลงในวัสดุไม้ หรือวัสดุอ่อนที่คล้ายกันจากตัวประกอบที่มีชุดตะปูที่เหมาะสมบรรจุไว้ คุณสามารถดูรายการตะปูที่สามารถโหลดเข้าไปในตัวบรรจุอย่างถูกต้องสำหรับผลิตภัณฑ์นี้ได้ในตารางข้อมูลจำเพาะของผลิตภัณฑ์ในคู่มือนี้ ห้ามใช้งานตะปูหรือตัวยึดประเภทอื่นๆ กับผลิตภัณฑ์นี้ อย่าทำงานในโหมดกระตุ้นน้ำหนักสัมผัสในขณะทำงานบนกระดาน ขึ้นแป้นไค หรือแท่นเหยียบเท้าอื่นๆ ที่จำเป็นต้องมีการเปลี่ยนแปลงการทำงาน ให้ใช้เฉพาะโหมดทำงานแบบต่อเนื่องเมื่อระบบทำงานในกรณีนี้ ห้ามใช้ผลิตภัณฑ์นี้สำหรับการยึดสายไฟ ห้ามใช้ผลิตภัณฑ์เพื่อวัตถุประสงค์อื่นนอกเหนือจากที่ระบุ

ความเสี่ยงอื่นๆ

ถึงแม้เครื่องมือจะได้รับการใช้ตามที่กำหนด แต่ก็ไม่สามารถกำจัดปัจจัยความเสี่ยงที่หลงเหลืออยู่ได้ อาจเกิดภัยอันตรายต่อป้ระหว่างการใช้งานได้ และผู้ใช้งานควรระมัดระวังเป็นพิเศษเพื่อหลีกเลี่ยงภัยอันตรายต่อไปนี้:

- การบาดเจ็บที่เกิดจากแรงสั่นสะเทือน
- บริเวณที่จับเฉพาะของผลิตภัณฑ์และอย่าใช้งานติดต่อกันเป็นเวลานาน
- ระบบการได้ยินอาจได้รับความเสียหาย หากได้ยินเสียงดัง
- ความผิดปกติในการได้ยิน การจำกัดการสัมผัส และการสวมอุปกรณ์ป้องกันที่เหมาะสม
- การบาดเจ็บเนื่องจากเชอร์คูดที่กระเด็น
- สวมอุปกรณ์ป้องกันส่วนบุคคลที่เหมาะสม กางเกงขยาว ถุงมือ รองเท้าหนา และแว่นกันแดด
- อันตรายต่อสุขภาพที่เกิดจากการสูดหายใจเอาฝุ่นพิษเข้าไป
- สวมหน้ากากถ้าจำเป็น

แบตเตอรี่

ควรชาร์จแบตเตอรี่ที่ไม่ได้ใช้งานเป็นระยะเวลาหนึ่งก่อนที่จะใช้งาน ประสิทธิภาพของชุดแบตเตอรี่จะลดลงหากอุณหภูมิสูงกว่า 50 °C หลีกเลี่ยงไม่ให้ถูกแสงแดดหรือความร้อนเป็นเวลานาน (เสี่ยงต่อความร้อนเกิน) ต้องหมั่นดูแลความสะอาดน้ำหนักสัมผัสตัวชาร์จชุดแบตเตอรี่ เพื่อให้อายุการใช้งาน การชาร์จแบตเตอรี่ให้เต็มหลังการใช้งาน เพื่อรักษาอายุแบตเตอรี่ให้นานที่สุด ให้ถอดชุดแบตเตอรี่ออกจากตัวชาร์จเมื่อชาร์จไฟเต็ม

สำหรับชุดแบตเตอรี่ที่ต้องการเก็บไว้นานกว่า 30 วัน:

- เก็บชุดแบตเตอรี่ไว้ที่อุณหภูมิต่ำกว่า 27 °C และหลีกเลี่ยงความชื้น
- เก็บชุดแบตเตอรี่ไว้ที่ประจุ 30% - 50%
- ให้ชาร์จแบตเตอรี่ตามปกติทุกหกเดือนที่เก็บ

ระบบป้องกันของชุดแบตเตอรี่

ในสถานการณ์ที่เกิดแรงบิดสูง ติดขัด สะดุด และเกิดการลัดวงจรเนื่องจากมีกระแสย้อนกลับสูง เครื่องมือจะสิ้นเป็นเวลา 5 วินาที และลงแบตเตอรี่จะกะพริบ แล้วเครื่องมืองจะดับลง การรีเซ็ต ให้ปิดและเปิดเครื่องใหม่

ภายใต้สถานการณ์รุนแรง อุณหภูมิภายในของแบตเตอรี่อาจสูงถึง 100°C หากเกิดเหตุการณ์นี้ขึ้น เกจแบตเตอรี่จะกะพริบจนกว่าแผงแบตเตอรี่จะเย็นลง ให้ทำงานต่อหลังจากที่ไฟดับแล้ว

การเคลื่อนย้ายแบตเตอรี่ลิเทียม

แบตเตอรี่ลิเทียมไอออนอยู่ภายใต้ข้อกำหนดตามกฎหมายของสินค้าอันตราย

การขนส่งแบตเตอรี่เหล่านี้ต้องกระทำตามกฎระเบียบและข้อบังคับของท้องถิ่น ของประเทศ และระหว่างประเทศ

สามารถขนส่งแบตเตอรี่หากถนนไม่ได้โดยไม่ต้องมีข้อกำหนดเพิ่มเติม

การขนส่งแบตเตอรี่ลิเธียมโดยผู้ให้บริการภายนอกจะต้องจัดการตามกฎระเบียบสินค้าอันตราย การเตรียมการขนส่งและการขนส่งต้องดำเนินการโดยบุคลากรที่ผ่านการฝึกอบรมมาแล้วเท่านั้น และในระหว่างดำเนินการต้องมีผู้เชี่ยวชาญที่เกี่ยวข้องคอยกำกับดูแล

เมื่อขนย้ายแบตเตอรี่:

- โปรดตรวจสอบให้แน่ใจว่าขั้วสัมผัสของแบตเตอรี่ได้รับการปกป้องและติดตั้งฉนวนเพื่อป้องกันการลัดวงจร
- ตรวจสอบให้แน่ใจว่าก่อนแบตเตอรี่ได้รับการปกป้องอย่างแน่นหนาอยู่ในบรรจุภัณฑ์
- ห้ามเคลื่อนย้ายแบตเตอรี่ที่แตกหรือรั่ว
- โปรดสอบถามบริษัทขนส่งหากท่านต้องการคำแนะนำเพิ่มเติม

การปฏิบัติงาน

มีสองวิธีในการทำงานกับผลิตภัณฑ์ (ดูภาพประกอบ):

- การเปิดทำงานแบบต่อเนื่องเดียว
 - ยิงตัวยิงลงไปโดยการดึงไกทำงาน
- การกระตุ้นนำสัมผัส (กระแทก)
 - กดที่ไกทำงานค้างไว้และยิงด้วยมือโดยการกดตัวเครื่องลงไปให้ขึ้นงาน

ตัวบ่งชี้การไหล

ในการปฏิบัติงานในแมกกาซีนใกล้หมดแล้ว (เหลือประมาณ 4-5 ต้า) จะไม่มีการสัมผัสชิ้นงาน เพื่อป้องกันการทำงานภายใต้แรงกดดันทั่วไป บรรจุจะเพิ่มลงไปเพื่อทำงานต่อ

การตั้งความลึกของการยิง (ดูภาพประกอบ)

สังเกตสิ่งที่อยู่หลังชิ้นงานของคุณ ตัวยิงอาจเลื่อนผ่านชิ้นงานและหลุดไปอีกต้า ซึ่งจะไปกระทบกับผู้ที่เฝ้ามองและส่งผลให้เกิดการบาดเจ็บรุนแรง ลดความเสี่ยงของการยิงเพื่อป้องกันไม่ให้อายุการใช้งานสั้นลง

โหมดการป้องกันทางอุณหภูมิ

โหมดการป้องกันทางอุณหภูมิมีการป้องกันผลิตภัณฑ์เมื่อใช้งานภายใต้อุณหภูมิเย็น/ร้อนที่สุด (นอกช่วงอุณหภูมิการทำงานแวดล้อมที่แนะนำ) หรือป้องกันไม่ให้ผลิตภัณฑ์มีความร้อนเกิน/แข็งตัวในระหว่างการใช้งาน หากอยู่ในสภาพแวดล้อมดังกล่าว ผลิตภัณฑ์จะไม่ทำงานและไฟ LED ตัวบ่งชี้การจ่ายไฟ/การกระตุ้นทำงานจะติดกะพริบสลับกัน รอให้ผลิตภัณฑ์อุ่นเครื่อง/ระบายความร้อนก่อนใช้งาน

การนำตัวยิงที่ติดออก

การติดขัดส่วนใหญ่จะเกิดจากตัวยิงหรือส่วนของตัวยิงเข้าไปติดระหว่างใบมีด ไดรเวอร์และรางตะป แบบตัวยิงที่มีมุมเฉียงไม่ถูกต้องหรือเกลียวตัวยิงไม่ถูกต้อง อาจทำให้เกิดการติดขัดอย่างต่อเนื่อง

วิธีการนำสิ่งทีติดขัดออก

1. นำชุดแบตเตอรี่ออก



คำเตือน! ห้ามผลิตภัณฑ์ออกจากตัวคุณและบุคคลอื่นเสมอในการใส่หรือถอดตัวยิง มิฉะนั้นอาจทำให้เกิดการบาดเจ็บ

2. ดึงแถบตัวยิงออกจากแมกกาซีน
3. ถอดตัวยิงออกโดยใช้คีมปากแหลม หากจำเป็นให้ถอดแมกกาซีนออกจากผลิตภัณฑ์
4. ปฏิบัติตามขั้นตอนต่าง ๆ ใน "การทดสอบประจำวัน" ก่อนเริ่มทำงานอีกครั้ง

การทดสอบประจำวันที่เป็น

คำเตือน! เพื่อเป็นการลดความเสี่ยงของที่จะทำให้อุปกรณ์และบุคคลอื่นบาดเจ็บ ให้ทดสอบเครื่องมือก่อนเริ่มทำงานในแต่ละวัน หากเครื่องมือรกรุงรัง มีการพ่นลมอย่างฉับพลัน ได้รับการกระแทก ฯลฯ ทำรายการตรวจสอบต่อไปนี้ให้เสร็จสิ้น "ตามลำดับ" หากผลิตภัณฑ์ไม่ทำงานในแบบที่ควรจะเป็น โปรดติดต่อศูนย์บริการของ MILWAUKEE ในทันที

ห้ามผลิตภัณฑ์ออกจากตัวคุณและบุคคลอื่นเสมอ

1. นำชุดแบตเตอรี่ออก



คำเตือน! ห้ามผลิตภัณฑ์ออกจากตัวคุณและบุคคลอื่นเสมอในขณะที่ใส่ตัวยิง มิฉะนั้นอาจทำให้เกิดการบาดเจ็บ

2. ตรวจสอบสกรู สลัก น็อต และหมุดทั้งหมดในผลิตภัณฑ์ ตัวยิงที่หลวมต้องได้รับการขันให้แน่น
3. ดึงตัวต้นตะปบแมกกาซีนกลับ (เพื่อแทนที่ตัวบ่งชี้การรีโหลด) และถอดการสัมผัสชิ้นงานกับชิ้นงาน ต้องขยับได้อย่างสิ้นเชิง
4. เมื่อนำสัมผัสชิ้นงานมาแนบกับชิ้นงานแล้ว ให้ดึงไก ต้องขยับได้อย่างสิ้นเชิง
5. ใส่ชุดแบตเตอรี่
6. เลือกการทำงานของการเปิดทำงานแบบต่อเนื่องเดียว ดึงตัวต้นตะปบแมกกาซีนกลับ (เพื่อแทนที่ตัวบ่งชี้การรีโหลด) โดยไม่ต้องดึงไก และถอดการสัมผัสชิ้นงานกับชิ้นงาน ผลิตภัณฑ์ต้องไม่ทำงาน อย่าปล่อยให้สัมผัสกับชิ้นงาน ดึงตัวต้นตะปบแมกกาซีนกลับ (เพื่อแทนที่ตัวบ่งชี้การรีโหลด) ดึงและกดไกค้างไว้ 5 วินาที ผลิตภัณฑ์ต้องไม่ทำงาน ดึงไกค้างไว้ต่อ และกดชิ้นงานเข้ากับชิ้นงาน ผลิตภัณฑ์ต้องไม่ทำงาน ดึงตัวต้นตะปบแมกกาซีนกลับ (เพื่อแทนที่ตัวบ่งชี้การรีโหลด) โดยไม่ต้องดึงไก และถอดการสัมผัสชิ้นงานกับชิ้นงาน ดึงไก ผลิตภัณฑ์ต้องทำงาน ปล่อยให้ ไดรเวอร์ต้องเลื่อน
7. เลือกการทำงานของการเปิดทำงานแบบนำสัมผัส ปล่อยให้สัมผัสกับชิ้นงาน ดึงตัวต้นตะปบแมกกาซีนกลับ (เพื่อแทนที่ตัวบ่งชี้การรีโหลด) และดึงไก ผลิตภัณฑ์ต้องไม่ทำงาน ดึงไกค้างไว้ต่อ และกดชิ้นงานเข้ากับชิ้นงาน ผลิตภัณฑ์ต้องทำงาน
8. หากการทดสอบก่อนหน้าทั้งหมดเป็นไปอย่างถูกต้อง ให้เตรียมผลิตภัณฑ์ไว้สำหรับชิ้นงานของคุณ เลือกการทำงานและปรับแก้ด้วยดีด
9. กำหนดความเสี่ยงของการยิงตามหัวข้อ "การตั้งค่าความเสี่ยงของการยิง" และดูในส่วนภาพประกอบ
10. หากการทดสอบทั้งหมดทำงานอย่างถูกต้อง เท่ากับว่าผลิตภัณฑ์พร้อมใช้งานแล้ว ทำซ้ำการทดสอบเหล่านี้ก่อนการใช้งานในแต่ละวัน หรือตรวจสอบว่าผลิตภัณฑ์มีความเสียหายจากการใช้งาน ถูกพ่นลมที่รุนแรง ได้รับการกระแทก ตีตขย ฯลฯ หรือไม่

การบำรุงรักษา



อันตราย! ภายในเครื่องมือมีแก๊สที่มีแรงดัน เพื่อหลีกเลี่ยงการบาดเจ็บ ห้ามพยายามเปิดฝาครอบผลิตภัณฑ์หรือดัดแปลงผลิตภัณฑ์ ผลิตภัณฑ์นี้จะต้องซ่อมแซมและให้บริการโดยศูนย์บริการที่ได้รับอนุญาตของ MILWAUKEE เท่านั้น

ช่องระบายอากาศของเครื่องจะต้องสะอาดตลอดเวลา

ใช้อุปกรณ์เสริมและชิ้นส่วนสำรองของ MILWAUKEE เท่านั้น หากจำเป็นต้องเปลี่ยนส่วนประกอบที่ไม่ได้อิบายไว้ โปรดติดต่อศูนย์บริการของ MILWAUKEE (ดูรายการการรับประกันที่อยู่ของศูนย์บริการของเรา)

ห้ามสามารถส่งมอบชิ้นส่วนประกอบของผลิตภัณฑ์ได้ หากต้องการ โปรดระบุประเภทผลิตภัณฑ์ที่พิมพ์ไว้พร้อมหมายเลขผลิตภัณฑ์และสั่งซื้อแบบอะไหล่จากตัวแทนจำหน่ายในพื้นที่ของคุณ

เครื่องหมาย



โปรดอ่านคำแนะนำอย่างระมัดระวังก่อนเริ่มใช้เครื่องมือ



ระวัง! คำเตือน! อันตราย!



ถอดชุดแบตเตอรี่ออกก่อนเริ่มกระทำกรใด ๆ กับผลิตภัณฑ์



สวมแว่นตานิรภัยทุกครั้งที่ใช้ผลิตภัณฑ์นี้



โปรดสวมอุปกรณ์ปกป้องการได้ยิน



ให้สวมหน้ากากป้องกันฝุ่นที่เหมาะสม



สวมถุงมือ



ประเภทดาบยัด
เส้นผ่านศูนย์กลาง
ความยาวต่ำสุด/สูงสุด



ระวังมือ



ส่วนประกอบภายในเครื่องมีแรงดัน อย่าเปิดฝาดรอปตัวผลิตภัณฑ์
อาจเกิดการบาดเจ็บร้ายแรงขึ้นได้ ส่งไปที่ศูนย์บริการที่ได้รับ
อนุญาตสำหรับการซ่อมแซมทั้งหมด

n_0

ความเร็วเมื่อไม่มีโหลด

V

แรงดันไฟฟ้า



กระแสตรง



อย่าทิ้งแบตเตอรี่ใช้แล้ว ชะยะอุปกรณ์ไฟฟ้าและอิเล็กทรอนิกส์รวม
กับขยะในครัวเรือนโดยไม่ได้แยกประเภท ให้ทิ้งแบตเตอรี่ใช้แล้ว
ชะยะอุปกรณ์ไฟฟ้าและอิเล็กทรอนิกส์แยกต่างหาก หลังยกเลิกใช้
งานอุปกรณ์ จะต้องถอดแยกแบตเตอรี่ใช้แล้ว ตัวสะสมพลังงานที่
ใช้แล้ว และแหล่งกำเนิดแสงที่ใช้แล้วออกจากตัวเครื่อง ตรวจสอบ
สอบกับผู้จำหน่ายในท้องถิ่นของคุณหรือร้านค้าปลีกสำหรับค่า
แนะนำในการรีไซเคิลและจุดเก็บรวบรวม ภายใต้กฎระเบียบในท้องถิ่น
ร้านค้าอาจมีข้อผูกมัดในการรวบรวมขยะแบตเตอรี่ใช้แล้วและ
ชะยะอุปกรณ์ไฟฟ้าและอิเล็กทรอนิกส์กลับมาโดยไม่มีค่าใช้จ่าย
เพิ่มเติม การนำมาใช้ใหม่และการรีไซเคิลของแบตเตอรี่ใช้แล้ว
ชะยะอุปกรณ์ไฟฟ้าและอิเล็กทรอนิกส์จะช่วยลดการใช้วัตถุดิบใหม่
ซึ่งช่วยอนุรักษ์ทรัพยากรได้ แบตเตอรี่ใช้แล้วโดยเฉพาะที่มีสารลิเธียม
และชะยะอุปกรณ์ไฟฟ้าและอิเล็กทรอนิกส์จะมีวัสดุรีไซเคิลได้ที่มี
มีค่า ซึ่งสามารถลดผลกระทบต่อสิ่งแวดล้อมและสุขภาพ
ของคน ทหารดักกำจัดทิ้งในลักษณะที่เป็นมิตรกับสิ่งแวดล้อม ลบ
ข้อมูลส่วนบุคคลออกจากอุปกรณ์ที่ยกเลิกใช้งานแล้ว ถ้ามี

DATA TEKNIS	M18 FN16GS
Tipe	Palu (nailer) nirkabel
Tegangan baterai	18 V ---
Laju putaran	3/sec
Sudut kolasi	0°
Tipe pengencang (fastener)	Brad style
Diameter	1,6 mm
Panjang min/maks	25 mm – 64 mm
Kapasitas magazin (jumlah paku)	110
Bobot sesuai dengan Prosedur EPTA 01/2014 (2,0 Ah - 12,0 Ah)	3,2 kg – 4,4 kg
Suhu pengoperasian sekitar yang direkomendasikan	-18 – +50 °C
Paket baterai yang direkomendasikan	M18B..., M18 HB...
Pengisi daya yang direkomendasikan	M12-18..., M18 DFC, M18 PC6

Informasi kebisingan

Nilai emisi derau ditentukan menurut EN 60745

Tingkat tekanan suara tertimbang A	83,2 dB (A)
K Ketidakpastian	3 dB (A)
Tingkat daya suara tertimbang A	94,2 dB (A)
K Ketidakpastian	3 dB (A)

Selalu gunakan pelindung mata.

Informasi vibrasi

Total nilai vibrasi (jumlah vektor di ketiga aksis) ditentukan sesuai EN 60745

Nilai a_w emisi getaran	1,98 m/s ²
K Ketidakpastian	1,5 m/s ²


PERINGATAN!

Tingkat getaran total yang dinyatakan dan tingkat emisi derau yang dinyatakan dalam lembaran informasi ini telah diukur sesuai dengan uji standar dan dapat digunakan untuk membandingkan satu alat dengan alat lainnya. Dapat digunakan untuk penilaian awal keterpaparan.

Tingkat getaran dan emisi derau yang dinyatakan menggambarkan aplikasi utama alat ini. Namun jika alat ini digunakan untuk aplikasi yang berbeda, dengan aksesoris yang berbeda atau tidak dirawat dengan baik, getaran dan emisi kebisingan yang timbul mungkin berbeda. Kondisi ini dapat meningkatkan tingkat paparan secara signifikan sepanjang periode kerja keseluruhan.

Perkiraan tingkat paparan terhadap getaran dan derau juga harus memperhitungkan saat-saat ketika alat dimatikan atau ketika produk sedang dinyalakan tetapi tidak digunakan. Kondisi ini dapat menurunkan tingkat paparan secara signifikan selama periode kerja total.

Identifikasi langkah-langkah keselamatan tambahan untuk melindungi operator dari efek getaran dan derau, seperti merawat peralatan dan aksesoris, menjaga tangan tetap hangat (terkait getaran), dan mengatur pola kerja.

 **PERINGATAN!** Baca semua peringatan keselamatan, petunjuk, ilustrasi, dan spesifikasi yang disertakan bersama produk. Tidak dipatuhinya semua petunjuk di bawah ini, dapat berakibat sengatan listrik, kebakaran, dan/atau cedera parah.

Simpan semua peringatan dan petunjuk sebagai referensi sewaktu-waktu.

PERINGATAN KESELAMATAN PEMAKU (NAILER) NIRKABEL

Selalu berasumsi bahwa alat ini berisi pengikat. Penanganan nailer yang ceroboh dapat mengakibatkan tembakan pengencang yang tidak diinginkan dan menyebabkan cedera.

Jangan mengarahkan alat ke arah Anda atau orang sekitar. Pemucuan yang tak terduga akan melepaskan pengikat dan menyebabkan cedera.

Jangan mengaktuiasi alat kecuali jika alat terpasang dengan kuat terhadap benda kerja. Jika alat tidak bersentuhan dengan benda kerja, pengikat dapat terbelokkan dari target Anda.

Lepaskan unit baterai ketika pengencang tersangkut di dalam produk. Ketika melepaskan pengencang yang tersangkut, nailer dapat diaktifkan tanpa sengaja jika unit baterai terpasang.

Hati-hati saat mengeluarkan pengikat yang macet.

Mekanismenya mungkin berada di bawah kompresi dan pengikat dapat tersembunyi dengan paksa ketika berusaha untuk dilepaskan dari sumbatan.

Jangan gunakan nailer ini untuk mengencangkan kabel listrik. Alat ini tidak dirancang untuk pemasangan kabel listrik dan dapat merusak isolasi kabel listrik sehingga menyebabkan sengatan listrik atau bahaya kebakaran.

Pakai pelindung telinga. Berada di lingkungan yang bising dapat menyebabkan gangguan pendengaran.

Pegang perkakas listrik pada permukaan gagang berinsulasi, saat melakukan pekerjaan di mana nailer dapat menyentuh kabel tersembunyi. Paku yang menyentuh kabel yang 'teraliri' dapat membuat bagian logam dari produk yang terekspos menjadi 'teraliri' dan menyebabkan operator tersengat listrik.

Selalu kenakan pelindung mata dengan pelindung samping.

Kacamata sehari-hari hanya memiliki lensa tahan benturan. Kacamata tersebut bukan kacamata keselamatan. Dengan mengikuti aturan ini akan mengurangi risiko cedera serius.

Pelindung mata memberikan perlindungan terhadap partikel-partikel yang beterbangan baik dari DEPAN dan dari SAMPING, dan harus SELALU dikenakan oleh operator dan orang lainnya di area kerja saat memuat, mengoperasikan, atau memperbaiki produk ini. Pelindung mata diperlukan untuk melindungi dari pengencang dan puing-puing yang bisa menyebabkan cedera mata yang parah.

Selalu keluarkan baterai sebelum menyesuaikan kedalaman roda penggerak. Jangan menarik mundur pada roda penyesuaian, roda ini dirancang untuk diputar.

Jangan menekan pelatuk ketika menyesuaikan kedalaman roda penggerak. Selalu pilih mode pembakaran sekuensial penuh sebelum menyesuaikan kedalaman penggerak.

Jangan mengarahkan alat ke diri sendiri atau orang di sekitar saat menyesuaikan kedalaman penggerak.

PETUNJUK KESELAMATAN DAN KERJA TAMBAHAN

Selalu waspada akan penyalahgunaan dan penanganan yang tidak tepat terhadap produk ini yang dapat menyebabkan cedera pada diri Anda dan orang lain.

Produk ini dirancang untuk penggunaan dengan satu tangan. Jangan pegang produk di bagian depan magazin. Jangan meletakkan tangan, kepala, atau bagian tubuh Anda lainnya di sekitar bagian bawah magazin tempat paku keluar dari produk, karena dapat menyebabkan cedera pribadi yang serius.

Selalu pastikan bahwa kontak benda kerja diposisikan sepenuhnya di atas benda kerja. Memosisikan kontak benda kerja hanya sebagian di atas benda kerja dapat menyebabkan paku meleset dari benda kerja, dan dapat mengakibatkan cedera pribadi yang serius.

Jangan mengarahkan paku di dekat tepi material. Benda kerja dapat terbelah menyebabkan paku memantul, melukai Anda, atau rekan kerja. Waspadalah akan paku yang mungkin bergerak mengikuti serpihan kayu, menyebabkannya secara tiba-tiba menonjol keluar dari sisi benda kerja atau memblokir, yang dapat menyebabkan cedera.

Jauhkan tangan dan bagian tubuh Anda dari area kerja langsung. Pegang benda kerja dengan klem bila perlu untuk menjaga tangan dan tubuh dari potensi bahaya. Pastikan benda kerja diamankan dengan benar sebelum menekan pengencang pada material. Kontak dengan benda kerja dapat menyebabkan benda kerja bergeser secara tak terduga. Jauhkan bagian wajah dan tubuh Anda dari bagian belakang tutup saat bekerja di area yang sempit. Pentalan mendadak dapat menghentak tubuh, terutama saat memaku pada bahan yang keras atau padat

Selama pemakaian normal, produk akan segera terputus setelah menggerakkan pengencang. Reaksi tersebut adalah fungsi normal dari produk. Jangan mencoba untuk mencegah pentalan dengan menahan produk pada benda kerja. Menahan pentalan bisa mengakibatkan pengencang kedua terdorong dari produk. Genggam pegangan dengan kuat, biarkan produk bekerja, dan jangan meletakkan tangan kedua di atas alat atau di dekat saluran pembuangan kapan pun. Gagal memperhatikan peringatan ini dapat mengakibatkan cedera pribadi yang serius.

Jangan menggerakkan pengencang di atas pengencang lain atau dengan peralatan pada sudut yang terlalu curam karena dapat menyebabkan pengencang memblokir dan menyebabkan cedera.

Selalu periksa area kerja akan adanya kabel tersembunyi, saluran gas, saluran air, dll sebelum menggunakan produk di area kerja tersebut.

Setelah menggunakan produk dalam mode aktuasi kontak, alihkan kembali ke mode sekuensial penuh.

Kedalaman pendorongan paku dapat disesuaikan melebihi tekanan udara. Dianjurkan untuk menguji kedalaman pada benda kerja sisa untuk menentukan kedalaman yang diperlukan untuk aplikasi tersebut.

Hanya pengencang yang sesuai dengan deskripsi dalam tabel Data Teknis yang dapat digunakan dengan produk ini. Menggunakan pengencang yang tidak tepat dapat menyebabkan tersangkut atau kegagalan fungsi lainnya.

Jangan memilih mode aktuasi kontak saat bekerja di atas perancah, tangga, atau platform di mana Anda mungkin perlu memindahkan posisi tubuh. Anda dapat secara tidak sengaja mengaktifkan kontak dengan benda kerja saat bergerak jika mode aktuasi kontak dipilih. Saat memindahkan posisi, pilih aktivasi sekuensial penuh atau nonaktifkan produk sepenuhnya dengan melepaskan baterai. Langkah ini mengurangi potensi cedera pada diri sendiri dan orang lain.

PETUNJUK KESELAMATAN BATERAI

Jangan membuang unit baterai bekas dalam sampah rumah tangga atau membakarnya. Distributor MILWAUKEE menawarkan untuk mengambil baterai lama guna melindungi lingkungan kita.

Jangan menyimpan paket baterai bersama benda logam (risiko arus pendek).

Hanya gunakan pengisi daya System M18 untuk mengisi daya paket baterai System M18. Jangan menggunakan unit baterai dari sistem lain.

Jangan sekali-kali membuka unit baterai dan pengisi daya serta hanya simpan di tempat kering. Jaga kemasan baterai dan pengisi daya tetap kering di sepanjang waktu.

Asam baterai dapat merembes dari baterai yang rusak akibat beban atau suhu yang ekstrem. Jika asam baterai mengenai Anda, segera cuci dengan sabun dan air. Jika mengenai mata, bilas sebanyak-banyaknya selama setidaknya 10 menit dan segera dapatkan penanganan medis.

Tidak ada komponen logam yang diperbolehkan memasuki kompartemen baterai pada pengisi daya (risiko arus pendek).

PERINGATAN KESELAMATAN BATERAI TAMBAHAN

PERINGATAN! Untuk mengurangi risiko kebakaran, cedera pribadi, dan kerusakan produk akibat hubungan arus pendek, jangan pernah merendam alat, baterai atau charger Anda dalam cairan atau membiarkan cairan mengalir di dalamnya. Cairan korosif atau konduktif, seperti air laut, bahan kimia industri tertentu, dan produk pemutih atau yang mengandung pemutih, dan sebagainya, dapat menyebabkan hubungan arus pendek.

KONDISI PENGGUNAAN KHUSUS

Produk dimaksudkan untuk mengarahkan paku ke dalam kayu atau bahan lunak serupa dari magazin yang berisi larik paku yang sesuai. Paku, yang dapat dengan aman dimuat ke dalam magazin untuk produk, dijelaskan dalam tabel spesifikasi produk dalam manual ini. Jangan gunakan jenis paku lain atau memasangkannya dengan produk. Jangan beroperasi dalam mode aktuasi kontak saat bekerja pada perancah, tangga, atau platform lain yang memerlukan perubahan posisi kerja. Hanya gunakan mode sekuensial penuh dalam kasus ini. Produk tidak boleh digunakan untuk memperbaiki kabel listrik.

Jangan menggunakan produk untuk tujuan lain.

RISIKO RESIDU

Bahkan ketika produk digunakan seperti yang ditentukan, masih tidak mungkin untuk sepenuhnya menghilangkan faktor risiko residual tertentu. Bahaya mungkin timbul selama penggunaan

produk dan operator harus memberikan perhatian khusus untuk menghindari hal-hal berikut:

- cedera yang disebabkan oleh vibrasi
 - Pegang produk dengan menggunakan tuas yang disediakan dan batasi waktu kerja dan paparan.
- cedera pendengaran yang disebabkan paparan terhadap suara
 - Kerusakan pendengaran, batasi paparan dan gunakan pelindung pendengaran yang sesuai.
- cedera akibat terbang serpihan
 - Kenakan alat pelindung diri yang sesuai, celana panjang yang tebal, sarung tangan, alas kaki yang kuat, dan kacamata pengaman, setiap saat.
- bahaya kesehatan yang disebabkan oleh terhirupnya debu beracun
 - Gunakan masker jika perlu.

BATERAI

Paket baterai yang belum digunakan selama beberapa waktu harus diisi kembali dayanya sebelum digunakan.

Suhu yang melebihi 50 °C akan mengurangi kinerja paket baterai. Hindari paparan berkepanjangan terhadap panas atau sinar matahari (risiko panas berlebihan).

Kontak pengisian daya dan paket baterai harus dijaga kebersihannya.

Untuk masa pemakaian optimal, paket baterai harus diisi dayanya hingga penuh setelah digunakan.

Untuk memaksimalkan masa pemakaian baterai, lepaskan paket baterai dari pengisi daya setelah terisi sepenuhnya.

Untuk penyimpanan paket baterai lebih dari 30 hari:

- Simpan paket baterai jika suhu berada di bawah 27 °C dan jauhkan dari kelembapan.
- Simpan paket baterai dalam kondisi terisi dayanya 30% - 50%.
- Jika penyimpanan paket baterai mencapai enam bulan, isi daya baterai seperti biasa.

PERLINDUNGAN KEMASAN BATERAI

Dalam torsi yang sangat tinggi, mengikat, mogok dan situasi arus pendek yang menyebabkan tarikan arus tinggi, alat akan bergetar selama sekitar 5 detik, pengukur bahan bakar akan berkedip, dan kemudian alat akan padam. Untuk menyyetel ulang, lepaskan pemicu.

Dalam kondisi ekstrem, suhu dalam baterai dapat meningkat. Jika hal ini terjadi, pengukur bahan bakar akan berkedip hingga paket baterai menjadi lebih dingin. Ketika lampu padam, lanjutkan pekerjaan.

MENGANGKUT BATERAI LITIUUM

Baterai litium-ion tunduk pada persyaratan Legisiasi Barang Berbahaya.

Pengangkutan baterai ini harus dilakukan sesuai regulasi dan peraturan daerah, nasional, dan internasional.

Baterai dapat diangkat melalui jalan darat tanpa persyaratan khusus.

Pengangkutan komersial baterai lithium-ion oleh pihak ketiga harus tunduk pada Peraturan terkait Barang Berbahaya. Persiapan pengangkutan dan pengangkutan harus dilakukan oleh orang yang terlatih dan prosesnya harus didampingi oleh pakar yang terkait.

Ketika mengangkut baterai:

- Pastikan terminal kontak baterai terlindungi dan terinsulasi untuk mencegah terjadinya korsleting.
- Pastikan bahwa unit baterai aman dari gerakan dalam pengemasan.

- Jangan mengangkut baterai yang retak atau bocor.
- Tanyakan kepada perusahaan ekspedisi untuk mendapatkan saran lebih lanjut.

PENGOPERASIAN

Ada dua cara untuk bekerja dengan produk (Lihat bagian grafik):

- Aktuasi Tunggal Berurutan
 - Dorong pengencang dengan menarik pelatuk.
- Aktuasi kontak (benturan)
 - Pegang pelatuk dan gerakkan pengencang dengan mendorong produk ke arah benda kerja.

INDIKATOR PENGISIAN ULANG

Untuk menunjukkan bahwa magazin dari pengikat hampir kosong (sekitar 4-5 yang tersisa), kontak benda kerja tidak akan memampat, guna mencegah pengoperasian di bawah tekanan biasa. Pasang lebih banyak pengikat untuk melanjutkan pekerjaan.

MENGATUR KEDALAMAN PENDORONGAN/DRIVE (LIHAT BAGIAN GAMBAR)

Ketahui apa yang berada di balik benda kerja Anda. Pengikat dapat bergerak melampaui benda kerja dan keluar dari sisi yang lain, menghantam pengamat dan menyebabkan luka serius. Turunkan kedalaman drive untuk mencegah agar pengencang tidak terdorong melampaui benda kerja.

MODE PROTEKSI SUHU

Mode proteksi suhu melindungi produk ketika digunakan pada suhu yang sangat dingin/panas (di atas rentang suhu lingkungan pengoperasian), atau saat produk memanas/membeku selama penggunaan. Jika ini terjadi, produk tidak berfungsi, dan LED indikator tombol daya/aktuasi berkedip bergantian. Biarkan produk menaikkan/menurunkan suhunya sebelum digunakan.

MEMBERESKAN PENGIKAT YANG TERSUMBAT

Sebagian besar sumbatan disebabkan oleh pengikat atau bagian dari pengikat yang terjepit di antara bilah penggerak dan pemandu paku. Strip pengencang dengan sudut kolasi yang salah atau tipe pengencang yang salah dapat menyebabkan kemacetan terus-menerus.

Untuk membereskan sumbatan:

1. Lepaskan paket baterai.
 - ⚠ PERINGATAN!** Selalu arahkan produk menjauh dari diri Anda dan orang lain saat memasang atau melepas pengencang. Gagal melakukan demikian akan menyebabkan cedera.
2. Lepaskan strip pengencang dari magazin.
3. Lepaskan pengencang menggunakan tang hidung panjang. Jika perlu, lepaskan magazin dari produk.
4. Ikuti langkah-langkah "Uji Harian yang Diperlukan" sebelum memulai kembali pekerjaan.

UJI HARIAN YANG DIPERLUKAN

⚠ PERINGATAN! Untuk mengurangi risiko cedera pada diri sendiri dan orang lain, uji alat setiap hari sebelum mulai bekerja atau jika alat terjatuh, terkena hantaman keras, terlindas, dll. Lengkapi daftar uji berikut secara BERURUTAN. Jika produk tidak berfungsi sebagaimana mestinya, segera hubungi layanan servis MILWAUKEE.

Selalu arahkan produk menjauh dari diri Anda dan orang lain.

1. Lepaskan paket baterai.
 - ⚠ Peringatan!** Selalu arahkan produk menjauh dari diri Anda dan orang lain saat memasang pengikat. Gagal melakukan

demikian akan menyebabkan cedera.

- Periksa semua baut, sekrup, mur, dan pin pada produk. Setiap pengikat yang longgar harus dikencangkan.
- Tarik kembali pendorong pengikat pada magazin (untuk menghilangkan Indikator Pengisian Ulang) dan tekan kontak benda kerja ke benda kerja. Ia harus bergerak dengan mulus.
- Dengan kontak benda kerja yang ditekan menempel pada benda kerja, tarik pelatuknya. Ia harus bergerak dengan mulus.
- Masukkan baterai.
- Pilih Pengoperasian Aktuasi Berurutan Tunggal. Tanpa menarik pelatuknya, tarik kembali pendorong pengikat pada magazin (untuk menghilangkan Indikator Pengisian Ulang) dan tekan kontak benda kerja ke benda kerja. Produk tidak boleh bekerja dalam posisi ini. Dengan menahan kontak benda kerja menjauh dari benda kerja, tarik kembali pendorong pengikat pada magazin (untuk menghilangkan Indikator Pengisian Ulang). Tarik dan tahan pelatuknya selama 5 detik. Produk tidak boleh bekerja dalam posisi ini. Terus tarik dan tahan pelatuknya dan dorong kontak benda kerja terhadap benda kerja. Produk tidak boleh bekerja dalam posisi ini. Tanpa menarik pelatuknya, tarik kembali pendorong pengikat pada magazin (untuk menghilangkan Indikator Pengisian Ulang) dan tekan kontak benda kerja ke benda kerja. Tarik pelatuknya. Produk harus beroperasi. Lepaskan pelatuknya. Penggerak harus bergerak naik.
- Pilih Pengoperasian Aktuasi Kontak. Dengan menahan kontak benda kerja jauh dari benda kerja, tarik kembali pendorong pengikat pada magazin (untuk menghilangkan Indikator Pengisian Ulang) dan tarik pelatuknya. Produk tidak boleh bekerja dalam posisi ini. Terus tarik dan tahan pelatuknya dan dorong kontak benda kerja terhadap benda kerja. Produk harus beroperasi.
- Jika semua uji yang sebelumnya berfungsi dengan benar, atur produk untuk memulai pekerjaan Anda. Pilih mode operasi dan isi strip pengikat.
- Atur kedalaman pendorongan sesuai bagian "Mengatur kedalaman pendorongan/drive", dan lihat bagian gambar.
- Jika semua tes berfungsi dengan benar, produk siap digunakan. Ulangi tes ini setiap kali sebelum digunakan atau jika produk terjatuh, terkena hantaman keras, terlindas, macet, dll.

PEMELIHARAAN

⚠ BAHAYA! Mengandung gas di bawah tekanan. Untuk menghindari cedera, jangan pernah mencoba untuk membuka atau memodifikasi produk. Produk harus diperbaiki dan diservis hanya oleh pusat servis resmi MILWAUKEE.

Slot ventilasi mesin harus selalu terbebas dari halangan.

Gunakan hanya aksesoris MILWAUKEE dan suku cadang MILWAUKEE. Jika komponen yang belum dijelaskan harus diganti, hubungi salah satu dari pusat layanan MILWAUKEE kami (lihat daftar alamat layanan/garansi kami).

Jika diperlukan, gambar pecahan komponen dapat dipesan. Sebutkan tipe produk dan enam digit angka yang tertera pada label dan pesanlah gambarnya pada agen layanan setempat.

SIMBOL



Baca petunjuk dengan cermat sebelum memulai menggunakan produk.



PERHATIAN! PERINGATAN! BAHAYA!



Lepaskan paket baterai sebelum memulai pekerjaan apa pun pada produk.



Selalu pakai kacamata goggle saat menggunakan produk ini.



Pakai pelindung telinga.



Pakai masker pelindung debu yang tepat.



Pakai sarung tangan.



Tipe pengencang (fastener)
Diameter
Panjang min/maks



Jauhkan tangan.



Konten di bawah tekanan. Jangan membuka produk. Cedera serius bisa terjadi. Kembalikan ke pusat servis resmi untuk semua perbaikan.

n_0

Kecepatan tanpa beban

V

Voltase



Arus Search



Jangan membuang limbah baterai, limbah peralatan listrik dan elektronik sebagai limbah kota yang tidak disortir. Limbah baterai dan limbah peralatan listrik dan elektronik harus dikumpulkan secara terpisah. Baterai limbah, akumulator limbah, dan sumber cahaya harus disingkirkan dari peralatan. Tanyakan kepada pihak berwenang atau peritel setempat mengenai daur ulang dan titik pengumpulan. Menurut peraturan setempat, penjual dapat diwajibkan untuk menerima kembali baterai bekas dan limbah peralatan listrik dan elektronik tanpa mengenakan biaya. Kontribusi Anda untuk menggunakan kembali dan mendaur ulang limbah baterai dan limbah peralatan listrik dan elektronik membantu mengurangi permintaan bahan baku. Baterai bekas, khususnya yang mengandung litium dan limbah peralatan listrik dan elektronik mengandung material berharga yang dapat didaur ulang, yang dapat berdampak buruk pada lingkungan dan kesehatan manusia, jika tidak dibuang dengan cara yang ramah lingkungan. Hapus data personel dari peralatan yang dibuang, jika ada.

THÔNG SỐ KỸ THUẬT**M18 FN16GS**

Loại	Máy bắn đinh không dây
Điện áp pin	18 V ---
Tỷ lệ chu kỳ	3/sec
Góc đan xen	0°
Loại ghim đập	Kiểu đóng ván lát sàn
Đường kính	1,6 mm
Chiều dài tối đa/tối thiểu	25 mm – 64 mm
Dung lượng máng trữ (số lượng đinh)	110
Trọng lượng theo Quy Trình EPTA 01/2014 (2,0 Ah - 12,0 Ah)	3,2 kg – 4,4 kg
Nhiệt độ môi trường khuyến nghị khi vận hành	-18 – +50 °C
Loại pin được khuyến nghị	M18B..., M18 HB...
Bộ sạc được khuyến nghị	M12-18..., M18 DFC, M18 PC6

Thông tin về tiếng ồn

Giá trị phát sinh tiếng ồn được xác định theo tiêu chuẩn EN 60745

Cấp độ áp suất âm thanh trọng số A	83,2 dB (A)
Độ bất định K	3 dB (A)
Cấp độ công suất âm thanh trọng số A	94,2 dB (A)
Độ bất định K	3 dB (A)

Luôn đeo thiết bị bảo vệ tai.

Thông tin về độ rung

Tổng giá trị rung chấn (tổng véc-tơ theo ba trục) được xác định theo tiêu chuẩn EN 60745

Giá trị phát thải rung chấn a_{rh}	1,98 m/s ²
Độ bất định K	1,5 m/s ²

⚠ CẢNH BÁO!

Tổng giá trị mức độ rung chấn và giá trị phát thải tiếng ồn được công bố được đưa ra trong hướng dẫn sử dụng này đã được đo theo thử nghiệm chuẩn hóa đã cho có thể được sử dụng để so sánh với công cụ khác. Có thể sử dụng chúng để đánh giá sơ bộ về mức độ tiếp xúc.

Các giá trị phát thải tiếng ồn và rung chấn được công bố thể hiện cho ứng dụng chính của công cụ. Tuy nhiên, nếu sản phẩm được sử dụng cho các ứng dụng khác nhau, với các phụ kiện khác nhau hoặc được bảo dưỡng kém, thì mức độ phát rung chấn và tiếng ồn có thể khác nhau. Những điều kiện này có thể làm tăng đáng kể mức độ tiếp xúc trong tổng thời gian làm việc.

Việc ước tính mức độ tiếp xúc với tiếng ồn và rung chấn cần tính đến số lần công cụ được tắt hoặc khi nó đang chạy không tải. Những điều kiện này có thể làm giảm đáng kể mức độ tiếp xúc trong tổng thời gian làm việc.

Xác định các biện pháp an toàn bổ sung để bảo vệ người vận hành khỏi các tác động của rung chấn và tiếng ồn, như bảo trì công cụ và các phụ kiện, giữ cho tay ấm (trong trường hợp rung chấn), sắp xếp các quy trình làm việc.

⚠ CẢNH BÁO! Hãy đọc tất cả các cảnh báo an toàn, hướng dẫn, hình minh họa và thông số kỹ thuật đi kèm cùng cụ có động cơ này. Không tuân thủ những cảnh báo và chỉ dẫn có thể dẫn đến giật điện, hỏa hoạn và/hoặc chấn thương nghiêm trọng.

Giữ lại tất cả những cảnh báo và chỉ dẫn để tham khảo sau này.

CẢNH BÁO AN TOÀN CHO MÁY BẮN ĐINH KHÔNG DÂY

Luôn giả sử rằng công cụ có chứa ghim đập. Việc xử lý bất cẩn máy bắn đinh có thể dẫn đến bắn nhầm đinh và gây chấn thương cá nhân.

Không chỉ công cụ này về phía bạn hoặc bất cứ ai ở gần. Việc nhấn có nhầm sẽ bắn ghim đập và gây ra chấn thương.

Không kích hoạt công cụ trừ khi công cụ đã được đặt chắc chắn ở trước vật gia công. Nếu công cụ không tiếp xúc với vật gia công, ghim đập có thể chệch ra khỏi mục tiêu của bạn.

Tháo ốc quy khi đinh bị kẹt trong sản phẩm. Khi tháo một đinh bị kẹt, máy bắn đinh có thể bị kích hoạt nhầm nếu ốc quy vẫn được lắp.

Luôn thận trọng khi tháo một ghim đập bị kẹt. Máy có thể đang bị nén và ghim đập có thể bị bắn ra đột ngột khi cố giải phóng tình trạng bị kẹt.

Không sử dụng máy bắn đinh này để cố định dây cáp điện. Nó không được thiết kế để lắp dây cáp điện và có thể làm hỏng lớp cách điện của dây cáp điện, gây điện giật hoặc hỏa hoạn.

Đeo thiết bị bảo vệ tai. Tiếp xúc với tiếng ồn có thể gây điếc.

Giữ công cụ này bằng bề mặt cầm cách điện, khi thực hiện một thao tác trong đó đinh có thể tiếp xúc với dây điện ẩn. Đinh tiếp xúc với một dây điện "sống" có thể dẫn điện cho các phần kim loại bị hở của máy và khiến người vận hành bị điện giật.

Luôn đeo tấm kính bảo vệ mắt có tấm chắn hai bên. Kính sử dụng hàng ngày chỉ có mắt kính chịu lực. Chúng không phải kính bảo hộ. Tuân thủ nguyên tắc này sẽ giảm thiểu nguy cơ chấn thương cá nhân nghiêm trọng.

Tấm kính bảo vệ mắt giúp bảo vệ mắt khỏi các mảnh bắn từ cả phía trước và phía bên, và phải luôn được người vận hành và những người khác đeo ở khu vực làm việc khi nạp, vận hành và bảo dưỡng công cụ này. Tấm kính bảo vệ mắt rất cần thiết để

bảo vệ mắt khỏi ghim dập và mảnh bắn có thể gây chấn thương nghiêm trọng cho mắt.

Luôn tháo pin trước khi điều chỉnh độ sâu của bánh dẫn động. Không kéo bánh điều chỉnh, bánh điều chỉnh được thiết kế để xoay.

Không nhấn cò trong khi điều chỉnh độ sâu của bánh dẫn động. Luôn chọn chế độ bán tuần tự hoàn toàn trước khi điều chỉnh độ sâu dẫn động.

Không chỉ công cụ này về phía bạn hoặc bất cứ ai gần đó khi điều chỉnh độ sâu dẫn động.

HƯỚNG DẪN AN TOÀN VÀ HOẠT ĐỘNG BỔ SUNG

Luôn lưu ý rằng việc sử dụng sai cách sản phẩm có thể gây chấn thương cho bản thân bạn và những người khác.

Sản phẩm này được thiết kế để sử dụng bằng một tay. Không cầm bằng phần trước của máng trụ. Không đặt bàn tay, đầu hoặc bất kỳ bộ phận nào khác của cơ thể bạn gần phần dưới của máng khi đỉnh thoát ra khỏi sản phẩm, bởi điều này có thể gây ra chấn thương cá nhân nghiêm trọng.

Luôn đảm bảo rằng đầu tiếp xúc với vật gia công được đặt thẳng hàng ở phía trên vật gia công. Việc đặt đầu tiếp xúc không hoàn toàn thẳng hàng với vật gia công có thể khiến đỉnh bị chệch hoàn toàn ra khỏi vật gia công và gây chấn thương cá nhân nghiêm trọng.

Không bắn đinh ở gần cạnh của vật liệu. Vật gia công có thể bị vỡ, khiến đỉnh bị nảy bật ra và gây chấn thương cho bạn hoặc một đồng nghiệp. Hãy nhớ rằng đỉnh có thể luôn theo thứ gỗ, khiến nó nhỏ ra từ bên của vật gia công hoặc bật ra ngoài, có thể gây chấn thương.

Hãy giữ bàn tay và cơ thể bạn tránh xa khỏi khu vực làm việc trực tiếp. Nếu cần, có thể dùng kim để giữ vật gia công để không gây nguy hiểm cho bàn tay và cơ thể. Đảm bảo vật gia công được cố định chắc chắn trước khi ấn ghim dập vào vật liệu. Đầu tiếp xúc với vật gia công có thể khiến vật liệu bị dịch chuyển đột ngột. Giữ mặt và cơ thể bạn tránh xa mặt sau nắp công cụ khi làm việc trong khu vực hẹp. Lực bật đột ngột có thể gây chấn thương cho cơ thể, đặc biệt khi bản ghim dập vào vật liệu cứng hoặc đặc.

Trong sử dụng thông thường, sản phẩm sẽ bật lại ngay sau khi bản ghim dập. Đây là chức năng thông thường của sản phẩm. Không cố ngăn chặn lực bật bằng cách giữ sản phẩm dập vào sát vật gia công. Việc hạn chế lực bật có thể khiến một đỉnh thứ hai bị bắn ra khỏi sản phẩm. Giữ chặt tay cầm, để sản phẩm làm việc, và không bao giờ đặt một bàn tay thứ hai lên trên dụng cụ hoặc gần ống xả. Việc không tuân thủ cảnh báo này có thể dẫn đến chấn thương cá nhân nghiêm trọng.

Không bắn đinh lên trên các đỉnh khác hoặc khi đặt công cụ ở một góc quá hẹp bởi điều này có thể khiến đỉnh bị nảy ra và gây chấn thương.

Luôn kiểm tra khu vực làm việc để xác định đường dây ngầm, đường ống dẫn khí, đường ống nước, v.v. trước khi sử dụng sản phẩm trên khu vực làm việc đó.

Sau khi sử dụng sản phẩm trong chế độ kích hoạt tiếp xúc, hãy chuyển nó về chế độ tuần tự hoàn toàn.

Độ sâu siết đỉnh có thể được điều chỉnh lớn hơn áp suất không khí. Bạn nên kiểm tra độ sâu này trên một vật gia công dư thừa để xác định độ sâu cần thiết cho ứng dụng.

Chỉ sử dụng các đỉnh khớp với mô tả trong dữ liệu Kỹ thuật với sản phẩm. Việc sử dụng các ghim dập không phù hợp có thể dẫn đến kẹt ghim dập hoặc các hỏng hóc khác.

Không chọn chế độ kích hoạt tiếp xúc khi làm việc trên một giàn giáo, thang hoặc các bục khác nơi bạn cần thay đổi vị trí làm việc. Bạn có thể vấp ngã hoặc bị trượt nếu bạn cố gắng điều chỉnh tiếp xúc với vật gia công trong quá trình di chuyển nếu chọn chế độ kích hoạt tiếp xúc. Khi di chuyển vị trí, hãy chọn chế độ kích hoạt tuần tự hoàn toàn hoặc tắt hoàn toàn sản phẩm bằng cách tháo ốc quy. Nguyên tắc này sẽ giảm nguy cơ chấn thương cho bạn và những người khác.

HƯỚNG DẪN AN TOÀN CHO PIN

Không tháo bỏ pin cũ theo rác thải sinh hoạt hoặc đốt chúng. Các nhà phân phối MILWAUKEE đề nghị được lấy lại các pin cũ để bảo vệ môi trường của chúng ta.

Không bảo quản pin cùng với vật dụng kim loại (nguy cơ ngắn mạch).

Chỉ sử dụng các bộ sạc hệ M18 để sạc pin hệ M18. Không sử dụng bình pin từ các hệ thống khác.

Không bao giờ tự ý mở các pin và bộ sạc, và chỉ bảo quản chúng trong các phòng khô. Luôn đảm bảo các pin và bộ sạc được khô.

Axit trong pin có thể rò rỉ từ pin bị hư hại trong điều kiện nhiệt độ khắc nghiệt hoặc tải quá nặng. Nếu bị tiếp xúc với axit trong pin, hãy rửa ngay lập tức bằng xà phòng và nước. Trong trường hợp axit tiếp xúc với mắt, hãy rửa sạch trong ít nhất 10 phút và ngay lập tức đi khám bác sĩ.

Không để các chi tiết kim loại đi vào phần chứa pin của bộ sạc (nguy cơ ngắn mạch).

CÁC CẢNH BÁO AN TOÀN BỔ SUNG CHO PIN

⚠ CẢNH BÁO! Để giảm nguy cơ hỏa hoạn, chấn thương cá nhân và hư hại sản phẩm do ngắn mạch, không bao giờ nhúng sản phẩm, pin hay bộ sạc trong chất lỏng hoặc cho phép chất lỏng xâm nhập vào chúng. Các chất lỏng ăn mòn hoặc dẫn điện, ví dụ như nước biển, một số hóa chất công nghiệp, và chất tẩy hoặc sản phẩm chứa chất tẩy, v.v., đều có thể gây ngắn mạch.

ĐIỀU KIỆN SỬ DỤNG CỤ THỂ

Sản phẩm được thiết kế để bắn đinh vào gỗ hoặc các vật liệu mềm tương tự từ máng chứa một đai định phù hợp. Đỉnh có thể được nạp an toàn vào máng cho sản phẩm được mô tả trong bảng dữ liệu kỹ thuật trong sách hướng dẫn này. Không sử dụng bất kỳ loại đinh hay vít nào khác với sản phẩm này. Không vận hành sản phẩm trong chế độ kích hoạt tiếp xúc khi làm việc trên một giàn giáo, thang hoặc các bục khác cần thay đổi vị trí làm việc. Chỉ dùng chế độ tuần tự trong trường hợp này. Sản phẩm không nên được sử dụng để cố định dây cáp điện.

Không sử dụng sản phẩm cho bất kỳ mục đích nào khác.

RỦI RO CỎ HỨU

Ngay cả khi sử dụng sản phẩm theo chỉ định, thì vẫn không thể loại bỏ hoàn toàn các yếu tố rủi ro còn lại. Các mối nguy hiểm sau đây có thể phát sinh khi sử dụng sản phẩm và người vận hành cần đặc biệt chú ý để tránh những điều sau đây:

- chấn thương do rung động
 - Giữ sản phẩm bằng tay cầm được chỉ định và hạn chế thời gian làm việc và tiếp xúc.
- tổn thương thính giác do tiếp xúc với tiếng ồn
 - Hạn chế tiếp xúc và đeo đồ bảo vệ thính giác phù hợp.
- bị thương do mảnh vỡ bay ra
 - Luôn đeo thiết bị bảo hộ cá nhân thích hợp, mặc quần dài dài, đeo găng tay, xỏ giày dép chắc chắn và đeo kính an toàn.
- mối nguy hiểm cho sức khỏe do hít phải bụi độc hại
 - Đeo khẩu trang nếu cần.

PIN

Pin chưa được sử dụng trong một thời gian dài nên được sạc lại trước khi sử dụng.

Nhiệt độ vượt quá 50 °C làm giảm hiệu năng của pin. Tránh tiếp xúc trong thời gian dài với nhiệt độ hoặc ánh nắng mặt trời (nguy cơ quá nhiệt).

Các điểm tiếp xúc của bộ sạc và bộ pin phải được giữ sạch sẽ.

Để có tuổi thọ tối ưu, các pin phải được sạc đầy sau mỗi lần sử dụng.

Để đảm bảo tuổi thọ pin lâu nhất có thể, hãy rút pin ra khỏi bộ sạc sau khi nó được sạc đầy.

Khi cất trữ pin lâu hơn 30 ngày:

- Bảo quản pin ở nơi khô, có nhiệt độ dưới 27 °C.
- Bảo quản pin trong điều kiện sạc 30% - 50%
- Sau mỗi 6 tháng bảo quản, sạc pin như bình thường.

BẢO VỆ PIN

Trong các tình huống mômen xoắn cao, kẹt, kẹt và ngắn mạch có thể tăng cường độ dòng điện, sản phẩm sẽ rung khoảng 5 giây, đèn báo mức pin sẽ nhấp sáng, và sau đó sản phẩm bị tắt. Để đặt lại, hãy nhả cò ra.

Trong các tình huống khắc nghiệt, nhiệt độ bên trong của bộ pin có thể tăng lên quá cao. Nếu điều này xảy ra, đèn báo mức pin sẽ nhấp sáng cho đến khi pin nguội bớt. Sau khi đèn tắt, tiếp tục làm việc.

VẬN CHUYỂN PIN LITHIUM

Các pin lithium-ion cần tuân thủ Luật về Hàng hóa Nguy hiểm.

Việc vận chuyển các pin này phải được thực hiện theo các điều kiện và quy định của địa phương, quốc gia và quốc tế.

Pin có thể được vận chuyển bằng đường bộ mà không có yêu cầu nào khác.

Việc vận chuyển thương mại pin lithium-ion bởi các bên thứ ba cần tuân thủ quy định về Hàng hóa Nguy hiểm. Việc chuẩn bị vận chuyển và vận chuyển cần được thực hiện bởi những người được đào tạo phù hợp và quy trình này phải được giám sát bởi các chuyên gia trong ngành.

Khi vận chuyển pin:

- Đảm bảo các đầu tiếp xúc của pin được bảo vệ và cách điện để ngăn ngắn mạch.
- Đảm bảo pin được cố định để không di chuyển trong bao bì.
- Không vận chuyển các pin bị nứt hoặc rò rỉ.
- Kiểm tra với công ty chuyển tiếp để được tư vấn thêm.

VẬN HÀNH

Có hai cách để làm việc với sản phẩm này (Xem phần đồ họa):

- Kích hoạt chế độ đơn
 - Bắn đinh bằng cách bóp cò.
- Kích hoạt liên tục
 - Giữ cò và bắn đinh bằng cách ấn sản phẩm vào vật gia công.

ĐÈN BÁO NẠP LẠI

Báo hiệu rằng máng sắp hết đinh (còn khoảng 4-5 cái), đầu tiếp xúc với vật gia công sẽ không nén và ngăn hoạt động trong điều kiện áp suất thông thường. Nạp thêm ghim dập để tiếp tục làm việc.

THIẾT LẬP ĐỘ SÂU DẪN ĐỘNG (XEM PHẦN ĐỒ HỌA)

Hiểu rằng sau vật gia công là gì. Đinh có thể đi xuyên qua vật gia công và thoát ra ở phía sau, trùng một người không liên quan và gây chấn thương nghiêm trọng. Hãy giảm độ sâu dẫn động để ngăn đinh không bị đẩy xuyên qua vật gia công.

CHẾ ĐỘ BẢO VỆ QUÁ NHIỆT ĐỘ

Chế độ bảo vệ quá nhiệt độ bảo vệ sản phẩm khi sản phẩm được sử dụng ở nhiệt độ quá lạnh/quá nóng (ngoại phạm vi nhiệt độ hoạt động xung quanh được khuyến nghị), hoặc sản phẩm quá nóng/đóng băng trong quá trình sử dụng. Nếu điều này xảy ra, sản phẩm không chạy và nút nguồn và đèn LED chỉ báo kích hoạt sẽ luân phiên nhấp nháy. Để sản phẩm ấm lên/hạ nhiệt trước khi sử dụng.

LẤY GHIM DẬP BỊ KET RA NGOÀI

Hầu hết các tình trạng kẹt bị gây ra bởi đinh hoặc một phần của đinh kẹt giữa lưỡi dao dẫn động và thanh định hướng đinh. Các dài ghim dập với góc đan xen không phù hợp hoặc kích cỡ ghim không phù hợp có thể gây kẹt liên tục.

Để loại bỏ tình trạng kẹt:

1. Tháo pin.

⚠ CẢNH BÁO! Luôn hướng sản phẩm ra xa bản thân và những người khác khi lắp hoặc tháo ghim dập. Nếu không làm vậy có thể dẫn đến chấn thương.

2. Tháo dài ghim dập ra khỏi máng trữ.
3. Tháo đinh sử dụng kim mỏ nhọn. Nếu cần, tháo máng ra khỏi sản phẩm.
4. Tuân thủ các bước trong phần "Cần kiểm tra hàng ngày" trước khi bắt đầu làm việc tiếp.

CẦN KIỂM TRA HÀNG NGÀY

⚠ CẢNH BÁO! Để giảm thiểu nguy cơ chấn thương cho bản thân và những người khác, bạn cần kiểm tra sản phẩm trước khi bắt đầu công việc hàng ngày hoặc nếu sản phẩm đã bị rơi, bị đập mạnh, bị chèn qua, v.v... Hoàn thành danh sách kiểm tra sau đây theo thứ tự. Nếu sản phẩm không hoạt động đúng cách, hãy liên hệ ngay với một cơ sở bảo dưỡng MILWAUKEE.

Luôn hướng sản phẩm ra xa bản thân và những người khác.

1. Tháo pin.

⚠ Cảnh báo! Luôn hướng sản phẩm ra xa bản thân và những người khác khi lắp đinh. Nếu không làm vậy có thể dẫn đến chấn thương.

2. Kiểm tra tất cả đinh, bu lông, đai ốc và ghim trên sản phẩm. Có thể siết lại bất kỳ dụng cụ nào bị lỏng.
3. Kéo bộ đẩy đinh trên máng (để đặt lại đèn báo nạp lại), và ấn đầu tiếp xúc với vật gia công vào một vật gia công. Vật gia công phải di chuyển trơn tru.
4. Khi đầu tiếp xúc với vật gia công đang được ấn vào vật gia công, bóp cò. Vật gia công phải di chuyển trơn tru.
5. Lắp pin.
6. Chọn chế độ kích hoạt tuần tự đơn. Không cần kéo cò, kéo bộ đẩy đinh trên máng (để đặt lại đèn báo nạp lại), và ấn đầu tiếp xúc với vật gia công vào một vật gia công. Sản phẩm không được hoạt động. Giữ đầu tiếp xúc ra xa vật gia công, kéo bộ đẩy đinh trên máng (để đặt lại đèn báo nạp lại). Bóp và giữ cò trong 5 giây. Sản phẩm không được hoạt động. Tiếp tục bóp và giữ cò, và đẩy đầu tiếp xúc với vật gia công vào một vật gia công. Sản phẩm không được hoạt động. Không cần kéo cò, kéo bộ đẩy đinh trên máng (để đặt lại đèn báo nạp lại), và ấn đầu tiếp xúc với vật gia công vào một vật gia công. Bóp bộ kích hoạt. Sản phẩm phải hoạt động Nhà cò kích hoạt ra. Bộ dẫn động phải di chuyển lên.
7. Chọn chế độ kích hoạt liên tục. Giữ đầu tiếp xúc ra xa vật gia công, kéo bộ đẩy đinh trên máng (để đặt lại đèn báo nạp lại) và bóp bộ kích hoạt. Sản phẩm không được hoạt động. Tiếp tục bóp và giữ cò, và đẩy đầu tiếp xúc với vật gia công vào một vật gia công. Sản phẩm phải hoạt động.
8. Nếu tất cả các kiểm tra trước đó đều hoạt động tốt, hãy sử dụng sản phẩm cho công việc của bạn. Chọn chế độ, và nạp dài ghim dập.
9. Đặt độ sâu dẫn động theo phần "Thiết lập Độ sâu Dẫn động", và xem phần đồ họa.
10. Nếu tất cả các kiểm tra đều đạt, sản phẩm đã sẵn sàng cho việc sử dụng. Hàng ngày, lặp lại các kiểm tra này trước mỗi lần sử dụng hoặc nếu sản phẩm đã bị rơi, bị đập mạnh, bị chèn qua, bị kẹt, v.v...

BẢO TRÌ

⚠️ NGUY HIỂM! Chứa khí chịu áp lực. Để tránh chấn thương, không bao giờ được cố mở hay sửa chữa sản phẩm. Sản phẩm chỉ có thể được sửa chữa và bảo trì tại trung tâm dịch vụ MILWAUKEE được ủy quyền.

Các khe thông gió của sản phẩm lúc nào cũng phải sạch sẽ.

Chỉ sử dụng các phụ kiện và phụ tùng thay thế của MILWAUKEE. Không được thay thế các thành phần theo những cách không được mô tả ở đây, vui lòng liên hệ một trong những đại lý dịch vụ MILWAUKEE của chúng tôi (xem danh sách địa chỉ bảo hành/dịch vụ của chúng tôi).

Nếu cần, có thể yêu cầu xem hình vẽ mô tả chi tiết các bộ phận. Vui lòng nêu rõ số sê-ri cũng như loại sản phẩm được in trên nhãn và yêu cầu bản vẽ tại các trung tâm dịch vụ địa phương của bạn.

BIỂU TƯỢNG



Vui lòng đọc cẩn thận hướng dẫn trước khi sử dụng máy.



CHÚ Ý! CẢNH BÁO! NGUY HIỂM!



Tháo pin trước khi bắt đầu thao tác với sản phẩm.



Luôn đeo kính bảo vệ khi sử dụng sản phẩm.



Đeo thiết bị bảo vệ tai.



Sử dụng khẩu trang chống bụi phù hợp.



Đeo găng tay.



Loại ghim đập
Đường kính
Chiều dài tối đa/tối thiểu



Không cho tay vào gần.



Phần bên trong chịu áp lực. Không được mở sản phẩm. Điều này có thể gây chấn thương nghiêm trọng. Trả lại trung tâm dịch vụ được ủy quyền cho mọi hoạt động sửa chữa.

n_0

Tốc độ không tải

V

Điện áp



Dòng điện một chiều



Không vứt bỏ pin thải, thiết bị điện và điện tử thải cùng với rác thải đô thị chưa được phân loại. Pin thải và thiết bị điện và điện tử thải phải được thu gom riêng. Phải loại bỏ pin thải, bộ tích điện thải và nguồn sáng khỏi thiết bị. Xác nhận với chính quyền địa phương hoặc nhà bán lẻ để được tham vấn về việc tái chế và điểm thu gom. Theo quy định của địa phương, các nhà bán lẻ có thể có nghĩa vụ nhận lại pin thải và thiết bị điện và điện tử thải miễn phí. Sự đóng góp của bạn trong việc tái sử dụng và tái chế pin thải và thiết bị điện và điện tử thải sẽ giúp giảm nhu cầu về nguyên liệu thô. Đặc biệt, pin thải có chứa lithium và Thiết bị điện và điện tử thải chứa các vật liệu có giá trị, có thể tái chế, có thể tác động xấu đến môi trường và sức khỏe con người, nếu không được xử lý theo cách phù hợp với môi trường. Xóa dữ liệu cá nhân khỏi thiết bị thải, nếu có.

技術データ		M18 FN16GS
タイプ		コードレスネイル
バッテリー電圧		18 V \equiv
サイクル速度		3/sec
照合角度		0°
ファスナーの種類		ブラッドスタイル
直径		1.6 mm
最小/最大長さ		25 mm – 64 mm
マガジン容量 (ネイル数)		110
本体重量 (リチウムイオン2.0 Ah~12.0 Ahバッテリー装着時) (EPTA 01/2014準拠)		3.2 kg – 4.4 kg
推奨周囲動作温度		-18 – +50 °C
推奨バッテリータイプ		M18B..., M18 HB...
推奨充電器		M12-18..., M18 DFC, M18 PC6
騒音情報		
騒音放射値 (EN 60745に従い測定)		
A特性・音圧レベル		83.2 dB (A)
不明 K		3 dB (A)
A特性音響パワーレベル		94.2 dB (A)
不明 K		3 dB (A)
必ずイヤープロテクターを使用してください。		
振動情報		
総振動値 (3軸のベクトル和) (EN 60745に従い測定)		
振動放出値 a_{rh}		1.98 m/s ²
不明 K		1.5 m/s ²

警告!

本情報シートに記載されている振動/騒音放射レベルは、の所与の標準検査に従って測定されたものであり、ある工具と別の工具を比較するために使用することができます。暴露の予備評価にも使用できます。

公表された振動・騒音値は、工具の主な用途を表しています。ただし、工具が異なる用途に使用され、付属品が異なっている、メンテナンスが不十分であるなどの場合は、振動/騒音放射が異なる場合があります。これらの条件により、総作業期間にわたる暴露レベルが大幅に増加する可能性があります。

暴露する振動・騒音値の概算を出す場合、工具のスイッチがオフになっている時間、または工具がアイドリング中である時間も考慮する必要があります。これらの条件により、総作業期間にわたる暴露レベルが大幅に減少する可能性があります。

振動/騒音の影響からオペレーターを保護するために、次のような追加安全対策を確認してください: 工具と付属品のメンテナンスを行う、手を温かく保つ、作業パターンを整理する。

警告! 本電動工具と同梱されているすべての安全警告、指示、図、仕様をお読みください。下記のすべての指示に従わない場合、感電や火災が発生したり、重傷を負う可能性があります。

今後の参考のために、すべての警告と指示を保存します。

コードレスネイル使用に際しての安全警告

常に工具にファスナーが装填されていると想定してください。ネイルの不意な取り扱いにより、予期しないファスナーの発射やけがを引き起こすおそれがあります。

工具をご自分やまわりの人に向けしないでください。突然引き金を引くとファスナーが発射し、怪我の原因となります。

工具をワークピースにしっかりと押しつけずに作動させないでください。工具がワークピースに接触していないと、ファスナーが的から外れる可能性があります。

本製品内にファスナーが詰まったときは、バッテリーパックを取り外します。バッテリーパックが挿入されていると、詰まったファスナーを取り除く際に、ネイルは誤って作動するおそれがあります。

詰まったファスナーを取り除く際は十分ご注意ください。装置が圧縮状態

にあると、詰まりを取り除こうとする際にファスナーが勢いよく発射されることがあります。

本ネイルを電線の取り付けに使用しないでください。電線の取り付け用に設計されていないため、電線の絶縁体を損傷し、感電や火災の原因となる可能性があります。

耳栓を使用してください。騒音にさらされると、難聴を起こすことがあります。

隠し配線にネイルが接触する可能性のある操作を行うときは、絶縁グリッド面で工具を支えてください。「通電」中の電線に接触しているネイルが電動工具の露出金属部を「通電」させることがあり、その場合、作業者を感電させることがあります。

必ずサイドシールド付き保護メガネを着用してください。日常用のメガネには耐衝撃性レンズしか使用されていません。保護メガネではありません。以下の規則に従って、重大な人身事故の危険性を減らしてください。

保護メガネは前面や側面から飛散する粒子から眼を保護します。作業中や作業場にいる他の人は、本工具の装填、操作、または修理の際、常に着用する必要があります。重大な眼の損傷の原因となるファスナーや破片の飛散から眼を保護するには、保護メガネが必要です。

ドライブホイールの深さを調整する前に、必ずバッテリーを取り外してください。調節ホイールは回転するように設計されているため、引っ張らないでください。

ドライブホイールの深さを調整する際は、トリガを押さないでください。打ち込み深さを調整する前に、必ずフルシーケンシャルファイアリングモードを選択してください。

打ち込み深さを調整する際は、工具をご自分や他の人に向けてください。

追加の安全上の注意事項および作業指示

製品の誤用や不適切な取扱いは、ご自分や他の人に怪我を引き起こす可能性があります。これを常に認識してください。

本製品は片手で使用する設計です。本製品をカートリッジの正面から持たないでください。大けがを負うおそれがあるため、本製品にネイルを装填しているときは、マガジン底部の近くに手、頭、またはその他の身体の一部を近づけないでください。

必ずワークピース接触点をワークピース上に完全に配置してください。ワークピース接触点をワークピース上に部分的にしか当たっていないと、ネイルがワークピースから完全に外れ、重大な人身傷害を引き起こす可能性があります。

材料の端部付近にネイルを打ち込まないでください。ワークピースが裂けてネイルがはね返り、ご自分や同僚が怪我をする可能性があります。ネイルは木目に沿って打ち込まれる可能性があるためご注意ください。突然被削材の側面から突き出たり、曲がったりして、怪我の原因となります。

手や身体を周辺の作業場から離してください。手や身体に危害を及ぼさないようにする必要があります。ワークピースをクランプで固定してください。ファスナーを材料に押し付ける前に、ワークピースがしっかりと固定されていることを確認してください。ワークピース接触点により、被削材が突然ずれる可能性があります。制限区域で作業する場合、顔と身体を工具のキャップの背部から離してください。特に硬質材料や高密度物質にネイルを打ち込む場合、本製品が突然はね返り、身体に影響を及ぼす可能性があります。

通常の使用中、本製品はファスナーを打ち込んだ直後にはね返ります。これは製品の正常な機能です。本製品をワークピースに固定してはね返りを防止しようとししないでください。はね返りを抑えようとすると、2個目のファスナーが本製品から打ち込まれるおそれがあります。ハンドルをしっかりと握り、製品を動作させます。また、いかなる時でも、もう片方の手を製品の上部または排気孔に配置しないでください。本警告に従わない場合、重大な人身傷害を引き起こす可能性があります。

他のファスナーの上にファスナーを打ち込んだり、本工具を使用して急角度でファスナーを打ち込まないでください。ファスナーがたわみ、けがを負うおそれがあります。

製品を使用する前に、隠し配線、ガス管、送水管などがないか、作業エリアを必ず確認してください。

製品を接触点作動モードで使用した後、フルシーケンシャルモードに切り替えます。

ネイルの打ち込み深さは空気圧を超えて調整される場合があります。用途に必要な深さを決めるため、ワークピースの薄片で深さを検査することをお勧めします。

技術データ表の記載に一致するファスナーのみ製品に使用できます。不適切なファスナーを使用すると、詰まりやその他の誤作動を引き起こす可能性があります。

体の位置を移動しなければならぬような足場やはしご、プラットフォーム上で作業するときは、接触点作動モードは選択しないでください。接触点作動モードが選択されている場合、移動中にワークピース接触点を誤って有効にすることで意図せずネイルが発射される場合があります。位置を移動させる場合、フルシーケンシャルの有効化を選択するか、バッテリーパックを取り外して製品を完全に停止状態にします。この方法により、ご自分や他の人がけがをする可能性が低くなります。

バッテリーの安全上の注意事項

使用済みのバッテリーパックは家庭ゴミと一緒に廃棄したり、燃やさないでください。ミルウォーキー (MILWAUKEE) 販売店では、環境保護のために古いバッテリーを回収いたします。

金属片などと一緒にバッテリーパックを保管しないでください。ショート

の危険性があります。

M18システム・バッテリーの充電には、M18システムの充電器しか使用できません。別のシステムのバッテリーと混ぜて使用しないでください。

バッテリーと充電器は絶対に分解しないでください。バッテリーと充電器は湿度の低い屋内で保管してください。

極端な負荷や温度によってバッテリーが損傷し、液漏れが発生する場合があります。漏れ出た液と接触した場合は、直ちに石鹸と水で洗い流してください。目に入った場合は、少なくとも10分間流水ですすいで、直ちに医師の診察を受けてください。

充電器の金属端子部に金属片などを接触させないでください。ショート充電の危険があります。

バッテリーに関する詳細な安全警告

A 警告！漏電による火災、人的損傷、製品破損のリスクを軽減するために、製品、バッテリーパック、充電器を液体に浸したり、液体を流入させたりすることは絶対にしないでください。海水、特定の工業用化学物質、漂白剤または漂白剤を含む製品などの腐食または伝導性誘導体は、漏電の原因となることがあります。

特定の使用条件

本製品は、適切なネイルストリップを装填したマガジンから木材と同様の軟質材料にネイルを打ち込むものです。本製品のマガジンに安全に装填できるネイルは、本マニュアルの製品仕様表に記載されています。他の種類のネイルを使用したり、本製品で固定したりしないでください。作業位置を変える必要がある足場、はしご、またはその他の台の上で作業する際は、製品を接触点作動モードで操作しないでください。この場合はフルシーケンシャルモードのみを使用してください。本製品を電線の固定に使用しないでください。

本製品を他の用途では使用しないでください。

残存リスク

製品が規定どおりに使用された場合でも、特定の残存する危険因子を完全に排除することは不可能です。使用中に以下の危険が発生することがあり、作業者は以下を回避するために特に注意する必要があります。

- 振動による怪我
 - 所定のハンドルを持って本製品を保持し、作業時間や暴露を制限します。
- 騒音により生じる聴覚の異常
 - 暴露を制限し、適切な聴覚保護具を着用してください。
- 飛散した破片によるけが
 - 適切な個人用保護具、高強度の長ズボン、グローブ、安全靴、保護メガネをつねに着用してください。
- 有毒な粉塵の吸い込みによる健康上の危険性
 - 必要な場合はマスクを着用してください。

バッテリー

しばらく使用していなかったバッテリーパックは使用前に再度充電を行ってください。

50°Cを超える温度下ではバッテリーパックの性能が低下します。直射日光や高熱に長時間さらさないようにしてください（オーバーヒートの危険性があります）。

充電器とバッテリーパックの接触部はつねに清潔な状態にしてください。

最適な寿命を保つため、使用後はバッテリーパックを完全に充電してから保管してください。

バッテリー寿命を最大に保つためにバッテリーをフル充電してから充電器から取り外してください。

バッテリーパックを30日以上保管する場合:

- 温度27°C未満で湿気がない場所に保管する。
- 30~50%の充電状態で保管する。
- 6ヶ月に1回、通常通りに充電する。

バッテリーパックの保護

極めて高いトルク、ピンディング、停動、および高電流を引き起こす短絡状態では、製品は約5秒間振動して燃料計が点滅してからオフになります。リセットするには、トリガーを解除してください。

過酷な環境下では、バッテリーパック内の温度が過剰に上昇する場合があります。この現象が起きると、バッテリーパックが冷たくなるまで燃料計が点滅します。ライトが消えた後も作業を続けてください。

リチウムバッテリーの輸送

リチウムイオンバッテリーは、危険物規制の要件の対象となります。

このバッテリーの輸送は、地域、国、および国際的な規定および規制に従って行わなければならない。

バッテリーの地上輸送には、それ以上の要件はありません。

第三者によるリチウムイオンバッテリーの商業輸送には、危険物規制が適用されます。輸送の準備と輸送は、適切な訓練を受けた人員のみが実施し、その作業には対応する専門家の同行が必要です。

バッテリーを輸送する場合:

- バッテリーの接触端子は、漏電を防ぐために保護と絶縁の処理がされていることを確認してください。
- バッテリーパックがパッケージ内で動かないように固定されていることを確認してください。
- ひびが入ったり液漏れが発生しているバッテリーは輸送しないでください。
- 詳細については、運送会社に確認してください。

操作

本製品で作業を行うには次の2つの方法があります(図の項を参照)。

- シングルシーケンシャル作動
 - トリガーを引いてファスナーを打ち込みます。
- 接触(ポンプ)作動
 - トリガーを保持し、本製品をワークピースに押し付けてファスナーを打ち込みます。

再装填指示計

カートリッジのファスナーがほとんど空であることを示すため(左に約4〜5本)、ワークピースの接触点は圧縮されず、通常の圧力での操作が阻止されます。ファスナーを装備して作業を続けてください。

打ち込み深さの設定(図の項を参照)

ワークピースの背後にあるものを確認します。ファスナーがワークピースの反対側に抜けて居合わせた人に刺さり、重症を負う可能性があります。打ち込み深さを下げ、ファスナーをワークピース全体に押し付けないようにします。

温度保護モード

温度保護モードにより、極端な低温・高温(推奨される周囲動作温度範囲を超える温度)での使用時、または使用中の過熱や凍結から、本製品を保護します。この機能が作動すると、本製品は動作しなくなり、電源ボタンと作動インジケータLEDが交互に点滅します。本製品は使用前に温めるか冷やしてください。

詰まったファスナーの除去

大半の詰まりは、ドライバーの刃とネイルガイドの間にファスナーやファスナーの一部が挟まることで生じます。連続して詰まる場合は、照合角度が適切ではない、または間違ったファスナーゲージのファスナーストリップが原因の可能性があります。

詰まりの除去方法:

1. バッテリーパックを取り外してください。

⚠ 警告! ファスナーの取り付けや取り除きの際は、製品を必ずご自分や他の人から離して向けます。これに従わないと、人身傷害を引き起こす可能性があります。

2. カートリッジからファスナーストリップを取り外します。
3. ラジオペンチを使用してファスナーを取り外します。必要に応じて、製品からカートリッジを取り外します。
4. 作業を再開する前に、「毎日必要な点検」の手順に従います。

毎日必要な点検

⚠ 警告! 作業者や周囲の人がけがを負う危険性を減らすため、毎日作業を開始する前、製品を落としたりした場合、衝撃を与えた場合、限度を超えた場合は、本製品を検査します。次のチェックリストの内容を順番に実施してください。製品が正常に動作しない場合は直ちにミルウォーキー(MILWAUKEE) サービス施設にご連絡ください。

必ず製品をご自身や他の人から他の人から離して向けます。

1. バッテリーパックを取り外してください。
- ⚠ 警告!** ファスナーを取り付ける際は、必ず製品をご自分や他の人から離して向けます。これに従わないと、人身傷害を引き起こす可能性があります。
2. 製品のすべてのネジ、ボルト、ナットおよびピンを確認します。緩んだファスナーは締め付ける必要があります。
3. カートリッジのファスナーブッシュを引き戻し(再装填指示計を無効にするため)、ワークピース接触点をワークピースを押し付けます。なめらかに動く必要があります。
4. ワークピースの接触点をワークピースに押し付け、トリガを引きます。なめらかに動く必要があります。
5. バッテリーパックを挿入します。
6. シングルシーケンシャル作動操作を選択します。トリガーを引かずに、マガジンのファスナーブッシュを引き戻し(再装填指示計を無効にするため)、ワークピース接触点をワークピースを押し付けます。本製品は動作しません。ワークピース接触点をワークピースから離し、ファスナーブッシュをマガジンに引き戻します(再装填指示計を無効にするため)。5秒間トリガを引いた状態にします。本製品は動作しません。トリガを引いた状態にして、ワークピースの接触点をワークピースに押し付けます。本製品は動作しません。トリガーを引かずに、マガジンのファスナーブッシュを引き戻し(再装填指示計を無効にするため)、ワークピース接触点をワークピースを押し付けます。トリガを引きます。本製品が動作します。トリガを放します。ドライバーは上方へ移動するはずです。
7. 接触動作操作を選びます。ワークピース接触点をワークピースから離し、ファスナーブッシュをマートリッジに引き戻し、トリガを引きます。本製品は動作しません。トリガを引いた状態にして、ワークピースの接触点をワークピースに押し付けます。本製品が動作します。
8. 以上の点検項目がすべて正常であれば、作業に合わせて製品を設定します。操作を選択し、ファスナーストリップを装填します。
9. 「打ち込み深さの設定」の項に従って打ち込み深さを設定し、図の項を参照します。
10. すべての試験が正しく行われたら、本製品を使用できます。毎回使用する前、または製品を落としたりした場合、衝撃を与えた場合、限度を超えた場合、詰まった場合は再び点検します。

メンテナンス

⚠ 危険! 加圧ガスが含まれています。けがを防止するため、本製品を開けようとして改修しようとしてしないでください。本製品は認定MILWAUKEEサービスセンターのみで修理・点検を受けてください。

充電の際、本機械の排気口を塞がないでください。

ミルウォーキー(MILWAUKEE)の純正アクセサリとサービスパーツをご使用ください。記載されていない部品を交換する必要がある場合は、MILWAUKEEサービスセンターにお問い合わせください(保証リストまたはサービス所在地リストを参照してください)。

必要に応じて、製品の分解立体図をご注文いただけます。製品タイプとシリアル番号をラベルにご記入のうえ、お近くのサービスセンターで分解立体図をご注文ください。



製品の使用を開始する前に、指示を注意深くお読みください。



注意！警告！危険！



作業前の調整時や保守・点検時は、本体からバッテリーを取り外してください。



製品を使用する際は、必ずゴーグルを着用してください。



耳栓を使用してください。



人体に悪影響を及ぼす物質の近くで製品を使用しないでください。



加工作業時は、保護手袋を着用してください。



ファスナーの種類
直径
最小/最大長さ



手を近づけないでください。



中身が加圧されています。本製品は開かないでください。重傷を負う可能性があります。修理の場合は必ず認定サービスセンターに返送してください。

n_0

無負荷速度

V

電圧



直流



自治体の廃棄物に分類されない廃棄電池、電気機器、電子機器は廃棄しないでください。廃棄電池、電気機器、電子機器は、分別して収集する必要があります。廃棄電池、蓄電部、光源は、機器から取り外す必要があります。リサイクルに関しましては、お住いの自治体または販売店までご相談ください。自治体の規定によっては、小売業者は廃棄電池や電気機器、電子機器を無償で持ち帰る義務を有する場合があります。廃棄電池、電気機器、電子機器を再利用・リサイクルすることで、材料の必要性を減らすことができます。廃棄電池（特にリチウムを含む電池）や電気機器、電子機器には、貴重でリサイクル可能な材料が含まれており、環境に配慮した方法で廃棄しない場合、環境や人体の健康に害を及ぼすおそれがあります。廃棄機器に個人情報が入っている場合は、削除してください。

