

Milwaukee™

Nothing but **HEAVY DUTY.™**



M18 FOPH-BA

- ⓔ User Manual
- ⓩ 操作指南
- ⓩ 操作指南
- Ⓚ 사용시 주의사항
- Ⓣ คู่มือการใช้งาน
- Ⓜ Buku Petunjuk Pengguna
- Ⓜ Cẩm nang hướng dẫn sử dụng
- Ⓜ 取扱説明書



The illustration shows the application head M18 FOPH-BA connected to the MILWAUKEE powerbase M18 FOPH-0. This application head may only be operated in connection with the powerbase shown here. Application heads vary depending on the equipment package that you have purchased. Other application heads and powerbases can be purchased separately.

圖示顯示連接到 MILWAUKEE 動力機頭 M18 FOPH-0 的快拆應用配件 M18 FOPH-BA。本快拆應用配件只能與本說明書中顯示的動力機頭一起使用。按您購買的設備包，快拆應用配件會不同。其他快拆應用配件和動力機頭可單獨購買。

图示显示连接到美沃奇动力机头 M18 FOPH 的快拆应用配件 M18 FOPH-BA。本应用头只能与本说明书中显示的电源底座一起使用。按您购买的设备包，快拆应用配件会不同。其他快拆应用配件和动力机头座可单独购买。

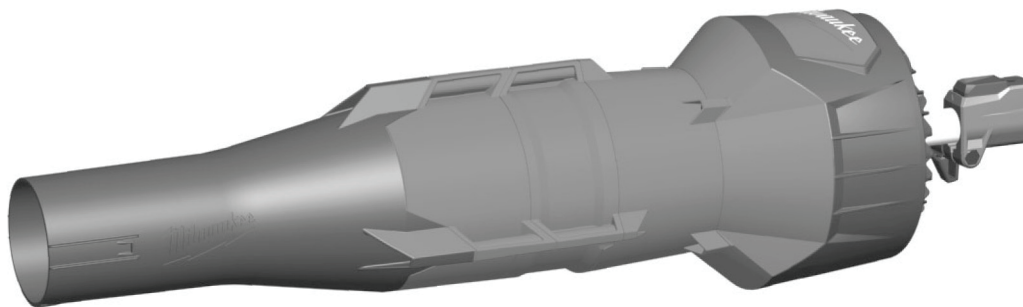
그림에는 MILWAUKEE 파워헤드 M18 FOPH-0에 연결된 어태치먼트 M18 FOPH-BA가 나와 있습니다. 이 어태치먼트는 여기에 나와 있는 파워헤드와 연결했을 때만 작동할 수 있습니다. 어태치먼트는 구입한 장비 패키지에 따라 다릅니다. 다른 어태치먼트 및 파워헤드는 별도로 구매할 수 있습니다.

ภาพประกอบแสดงหัวตัด M18 FOPH-BA ที่เชื่อมต่อกับตัวเครื่อง M18 FOPH-0 ของ MILWAUKEE หัวประยุกต์ใช้งานนี้สามารถใช้งานได้โดยเชื่อมต่อกับตัวเครื่องตามที่แสดงไว้เท่านั้น หัวประยุกต์ใช้งานจะแตกต่างกันไปขึ้นอยู่กับแพ็คเกจอุปกรณ์ที่คุณซื้อ สามารถซื้อหัวประยุกต์ใช้งานและตัวเครื่องอื่นๆ แยกต่างหากได้

Ilustrasi menggambarkan kepala alat M18 FOPH-BA yang tersambung ke powerbase MILWAUKEE M18 FOPH-0. Kepala alat ini hanya dapat dioperasikan dengan sambungan ke powerbase sebagaimana ditunjukkan di sini. Kepala alat bervariasi tergantung paket peralatan yang Anda beli. Kepala alat dan powerbase lain dapat dibeli secara terpisah.

Hình minh họa cho thấy đầu ứng dụng M18 FOPH-BA được nối với đế nguồn MILWAUKEE M18 FOPH-0. Chỉ có thể vận hành đầu ứng dụng này khi nối với đế nguồn được minh họa ở đây. Đầu ứng dụng sẽ khác nhau tùy theo gói thiết bị mà bạn đã mua. Có thể mua riêng các đầu ứng dụng và đế nguồn khác.

図は、MILWAUKEE パワーベース M18 FOPH-0 にアプリケーションヘッド M18 FOPH-BA を装着した状態を示しています。アプリケーションヘッドは、図示のパワーベースに装着した状態でのみ使用できます。アプリケーションヘッドは、購入した機器のパッケージによって異なります。他のアプリケーションヘッドやパワーベースは別途購入できます。



For the following instructions of the powerbase in connection with this application head, refer to the separate instructions for the powerbase:

- connecting the application head with the powerbase
- turning the product on/off
- selecting the speed
- changing the battery pack

有關本快拆應用配件相關的動力機頭的以下說明，請參閱動力機頭的獨立說明：

- 連接快拆應用配件與動力機頭
- 將本工具啟動/關閉
- 速度選擇
- 更換電池組

有关本应用头的电源基座的以下说明，请参阅动力机头的独立说明：

- 连接快拆应用机头与动力机头
- 将本工具启动/关闭
- 速度选择
- 更换电池组

이 어태치먼트와 함께 사용되는 파워헤드에 대한 지침은 별도의 파워헤드 지침을 참조하십시오.

- 어태치먼트와 파워헤드 연결
- 제품 켜기/끄기
- 속도 선택
- 배터리 팩 교체

สำหรับคำแนะนำต่อไปนีของตัวเครื่องในการเชื่อมต่อกับหัวตัดนี้ โปรดดูคำแนะนำแยกต่างหากสำหรับตัวเครื่อง:

- การเชื่อมต่อหัวประยุกต์ใช้งานเข้ากับตัวเครื่อง
- การเปิด/ปิดผลิตภัณฑ์
- การเลือกความเร็ว
- การเปลี่ยนแบตเตอรี่

Untuk instruksi selengkapnya mengenai powerbase sehubungan dengan kepala alat ini, harap merujuk pada instruksi terpisah untuk powerbase:

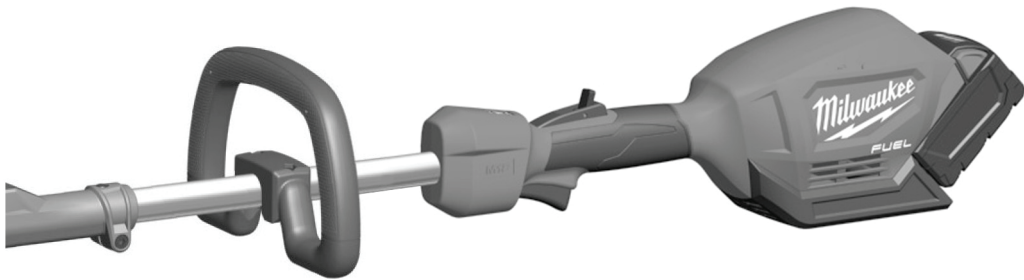
- menyambungkan kepala alat dengan powerbase
- Mengaktifkan/menonaktifkan produk
- memilih kecepatan
- mengganti unit baterai

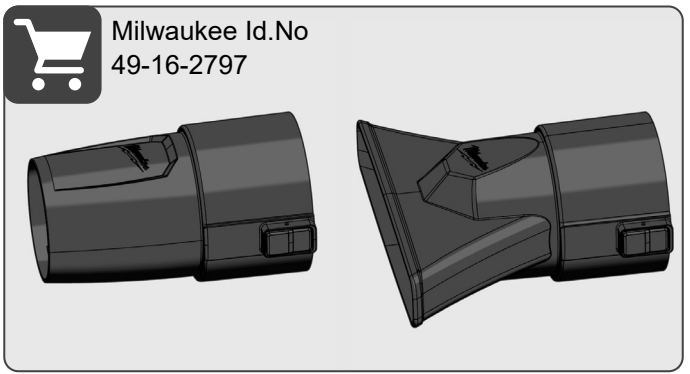
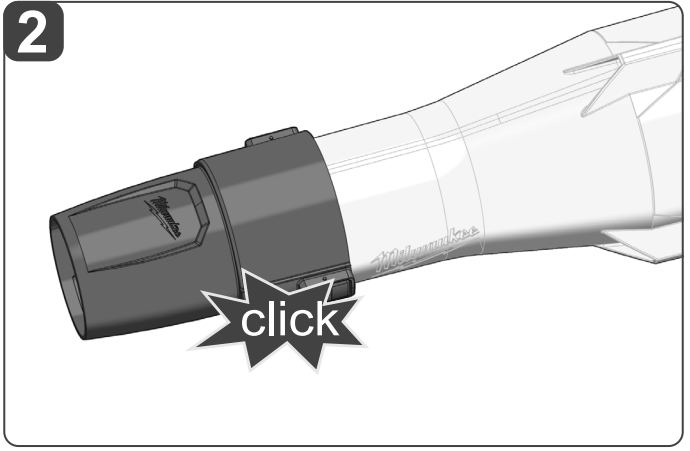
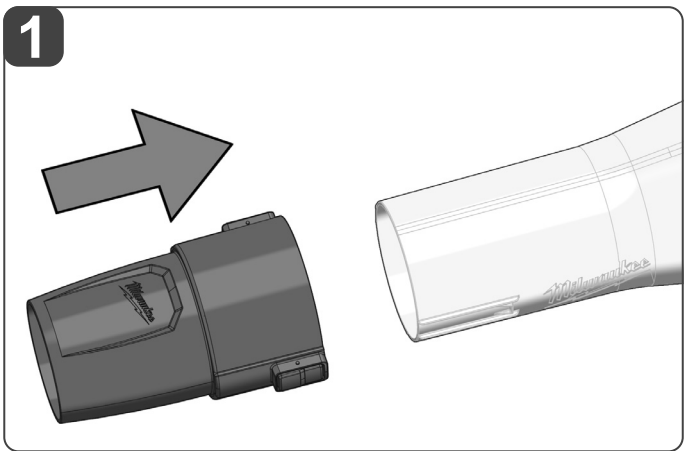
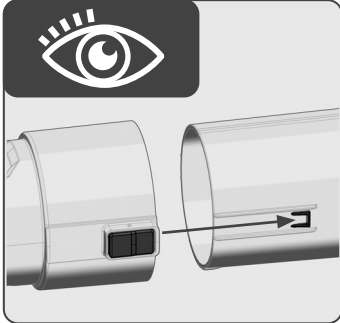
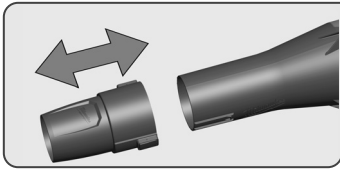
Để biết các hướng dẫn sau đây về đế nguồn được nối với đầu ứng dụng này, hãy tham khảo hướng dẫn riêng dành cho đế nguồn:

- Nối đầu ứng dụng với đế nguồn
- Bật/tắt sản phẩm
- Chọn tốc độ
- thay pin

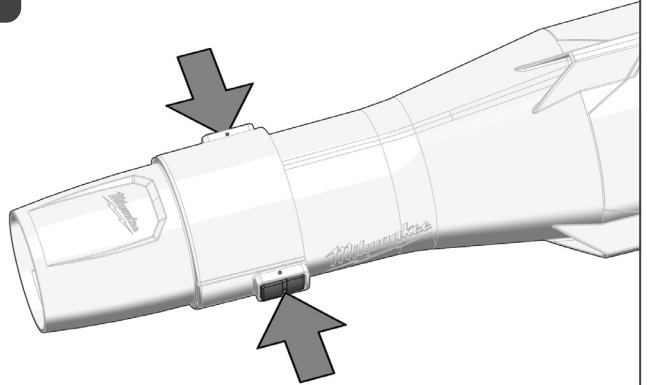
アプリケーションヘッドを装着したパワーベースの詳細な説明については、パワーベース用の説明書を参照してください。

- アプリケーションヘッドとパワーベースの接続
- 本製品の電源のオン/オフ
- 速度の選択
- バッテリーパックの交換

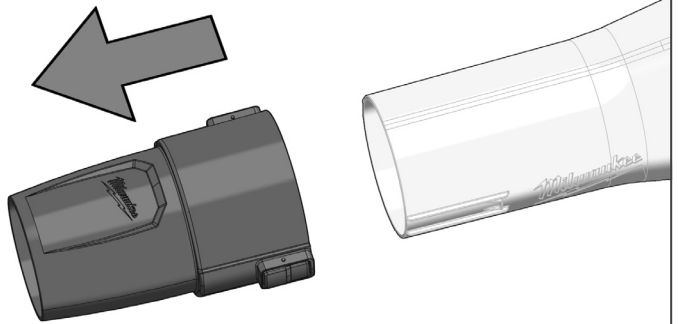


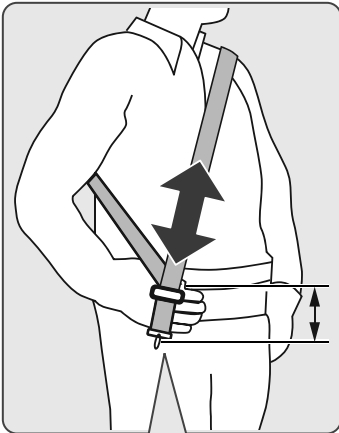
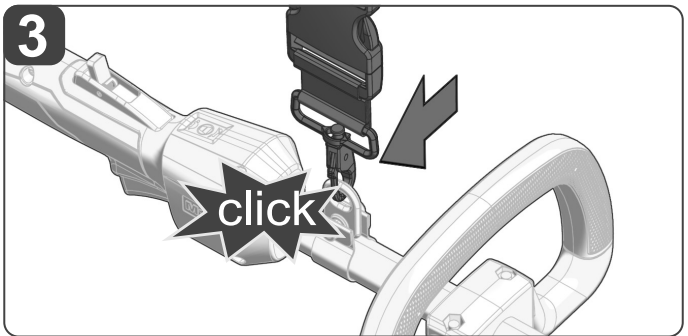
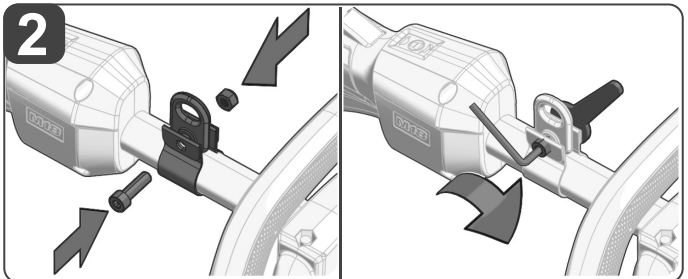
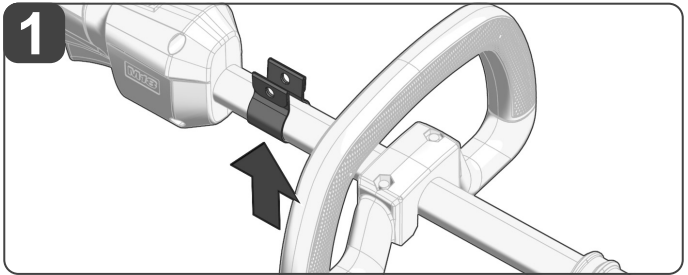
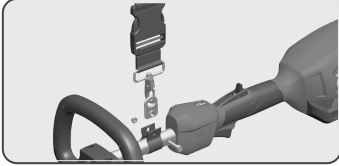


1



2





Adjust the strap. The carabiner should be at a hand's width below your hip.

調整肩帶。登山扣應位於臀部以下一手寬度處。

調整肩帶。登山扣應位於臀部以下一手寬度處。

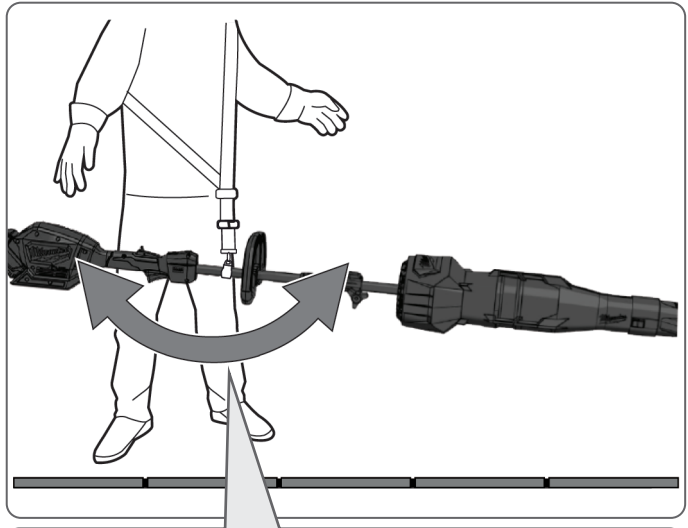
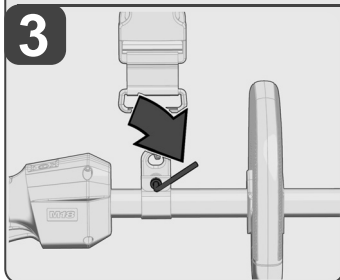
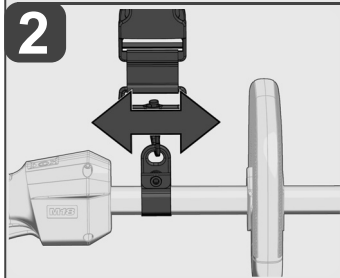
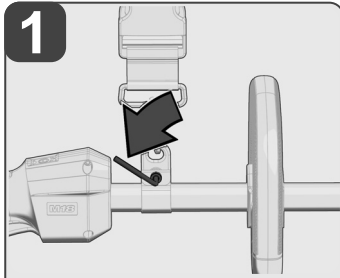
스트랩을 조정하십시오. 카라비너는 엉덩이 아래 손 너비에 있어야 합니다.

ปรับสายรัด หางนรภักจะตองอยูที่ระดับความกว้างของมือใต้สะโพกของคุณ

Atur tali pengikat. Carabiner harus berada satu tangan di bawah pinggul Anda.

Điều chỉnh dây. Móc đa năng phải có độ rộng bằng bàn tay ở dưới hông bạn.

ストラップを調節します。カラビナの位置は、腰から手の幅1つ分下の所にて下さい。



Level the product.

平放本工具。

平放本工具。

제품을 평평하게 놓습니다.

จัดตำแหน่งผลิตภัณฑ์

Sejajarkan produk.

Đề sản phẩm cân bằng.

本製品を水平にします。

Do not wear multiple belt harnesses and shoulder harnesses simultaneously.

請勿同時佩戴多條安全帶和肩帶。

請勿同時佩戴多條安全帶和肩帶。

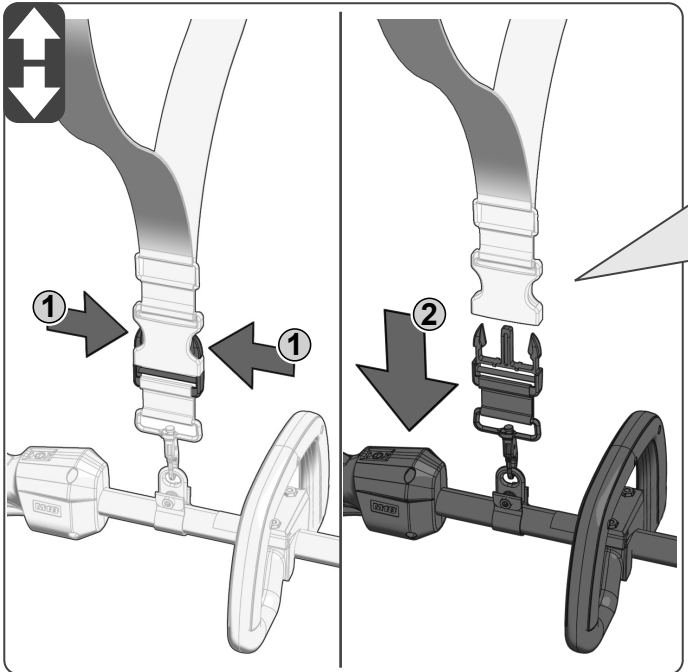
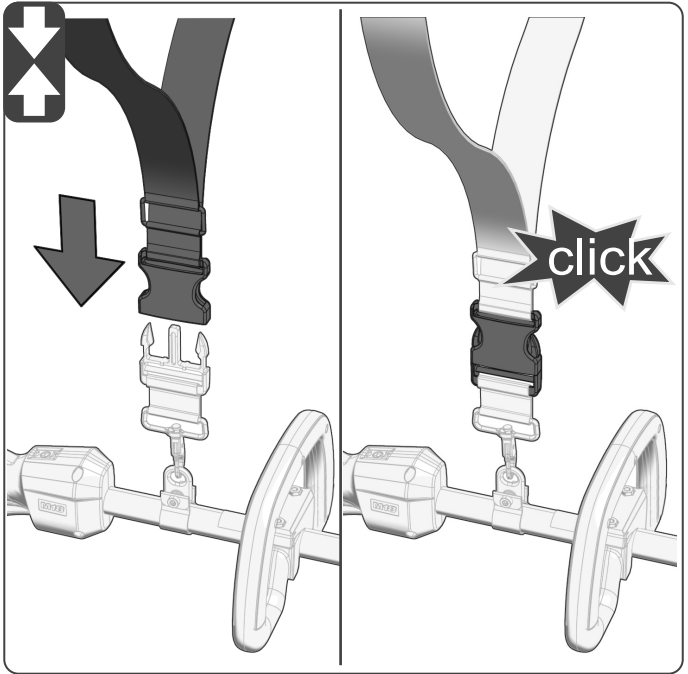
여러 벨트 하니스와 어깨 하니스를 동시에 착용하지 마십시오.

ห้ามสวมสายสะพายเข็มขัดและสายสะพายไหล่หลายเส้นพร้อมกัน

Jangan mengenakan sabuk pengaman tubuh dan sabuk pengaman bahu sekaligus.

Không đeo đồng thời nhiều dây đai và dây đeo vai.

ベルトハーネスやショルダーハーネスを複数同時に着用しないでください。



Quick release:

In case of imminent danger, the product must be released quickly. To do this, open the lock and set down the product. Practice quick release. Do not throw the product during practice.

快速解開鎖扣:

在迫在眉睫的危險情況下，必須迅速解開本工具。為此，請打開鎖並放下本工具。練習快速解開鎖扣。練習時請勿拋出本工具。

快速解開鎖扣:

在緊急情況下，必須迅速解開本工具。為此，請解開鎖扣並放下本工具。練習快速解開鎖扣。練習時請勿拋出工具。

신속 해제:

위험이 임박한 경우, 제품을 신속하게 해제해야 합니다. 이를 위해 잠금 장치를 개방하고 제품을 내려 놓습니다. 신속하게 해제합니다. 신속하게 해제하는 동안 제품을 던지지 마십시오.

การปลดอุปกรณ์แบบเร็ว:

ในกรณีที่จะเกิดอันตรายรุนแรง ต้องรีบปลดอุปกรณ์อย่างรวดเร็ว ซึ่งทำได้โดยเปิดล็อกแล้ววางอุปกรณ์ลง ให้ฝึกปลดอุปกรณ์แบบเร็ว อย่าโยนผลิตภัณฑ์ขณะฝึก

Pelepasan cepat:

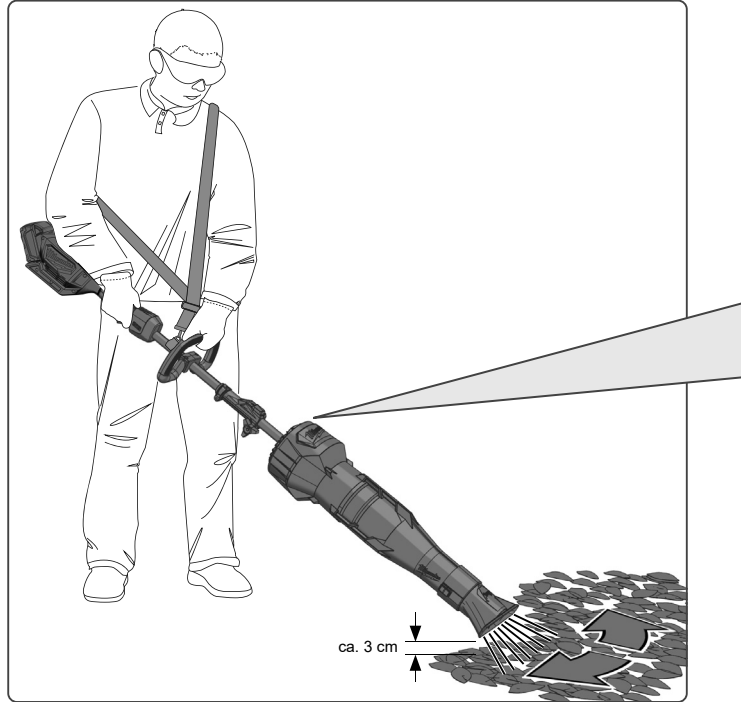
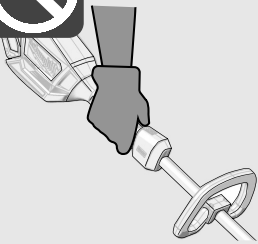
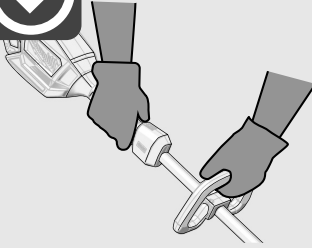
Jika terjadi bahaya, produk harus dilepaskan dengan cepat. Untuk melakukan ini, buka kunci dan letakkan produk. Latih pelepasan cepat. Jangan melempar produk selama latihan.

Nhà nhanh:

Trong trường hợp sắp xảy ra nguy hiểm, phải nhà nhanh sản phẩm ra. Để làm được việc này, hãy mở khóa và đặt sản phẩm xuống. Thực hành nhà nhanh. Không ném sản phẩm trong quá trình thực hành.

クイックリリース:

差し迫った危険がある場合、本製品は即座にリリースする必要があります。これを行うには、ロックを開き、本製品を下に置きます。クイックリリースを練習してください。練習中に本製品を投げないでください。



Do not work on a ladder.

請勿在梯子上操作本工具。

不要在梯子上工作。

사다리 위에서 작업하지 마십시오.

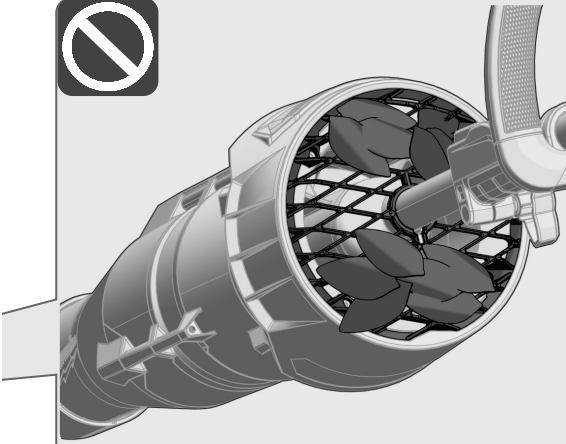
ห้ามทำงานบนบันได

Jangan bekerja sambil berdiri pada tangga.

Không làm việc trên thang.

はしの上で作業しないでください。





Do not cover the air inlet.

請勿遮蓋進風口。

请勿遮盖进风口。

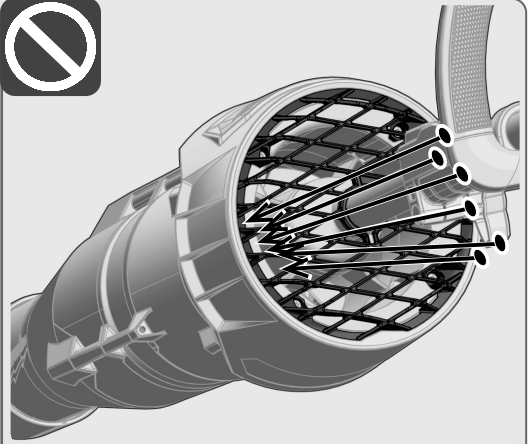
공기 흡입구를 덮지 마십시오.

ห้ามปิดช่องอากาศเข้า

Jangan menutupi saluran masuk udara.

Không che lỗ hút gió.

吸気口を覆わないでください。



Keep all cooling air inlets clear of dirt.

保持所有冷卻的進氣口清潔。

保持所有冷却的进气口清洁。

모든 냉각 공기 흡입구를 먼지가 없는 상태로 유지하십시오.

รักษาช่องอากาศเข้าให้สะอาด ปราศจากสิ่งสกปรก

Jaga kebersihan semua saluran udara pendingin dari kotoran.

Giữ cho tất cả các lỗ hút gió làm mát không bị bụi bẩn.

すべての冷却空気吸気口に汚れがないようにしてください。



Hold only on the gripping surfaces.

只握著抓握表面。

只握著抓握表面。

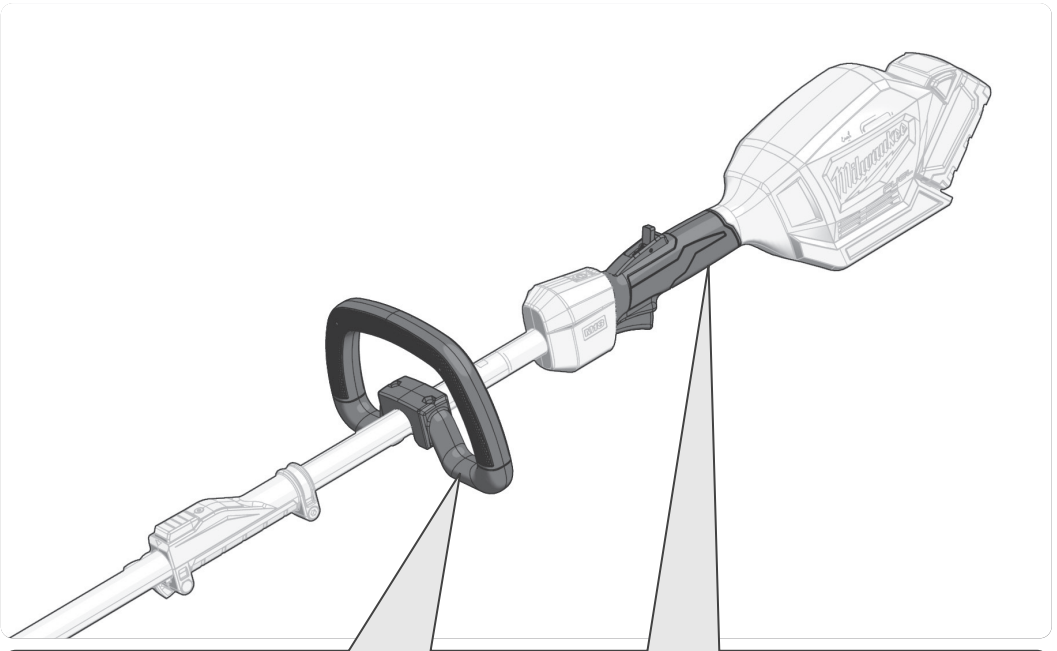
그립 부위만 잡으십시오.

จับถืออุปกรณ์ตรงบริเวณพื้นผิวที่มีจุดยึดเกาะเท่านั้น

Pegang hanya pada permukaan genggam yang ditentukan.

Chỉ cầm máy tại bề mặt cầm nắm.

必ずグリップ面だけを保持するようにしてください。



Insulated gripping surface

絕緣握持表面

絶縁の把手

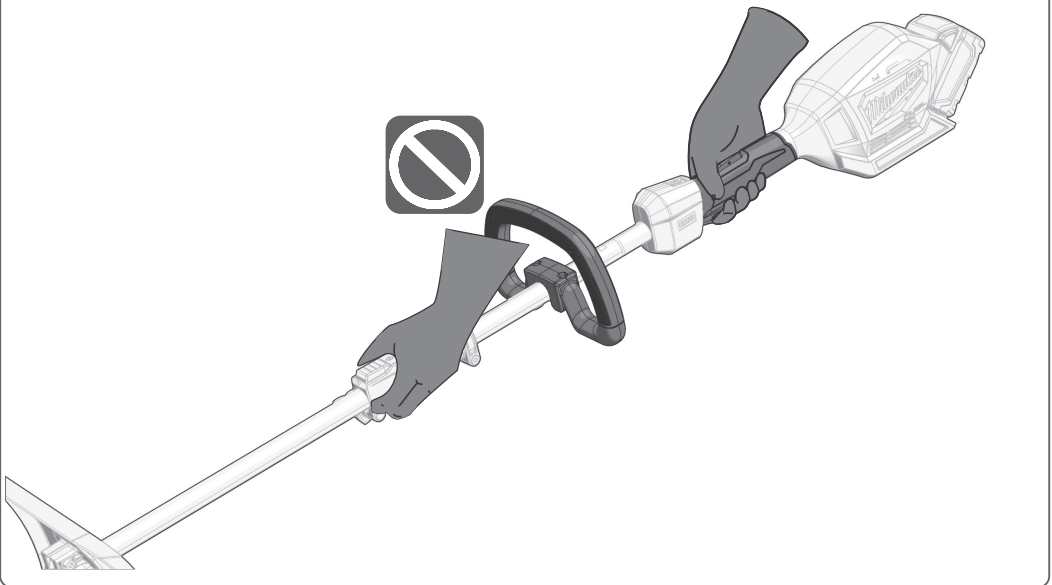
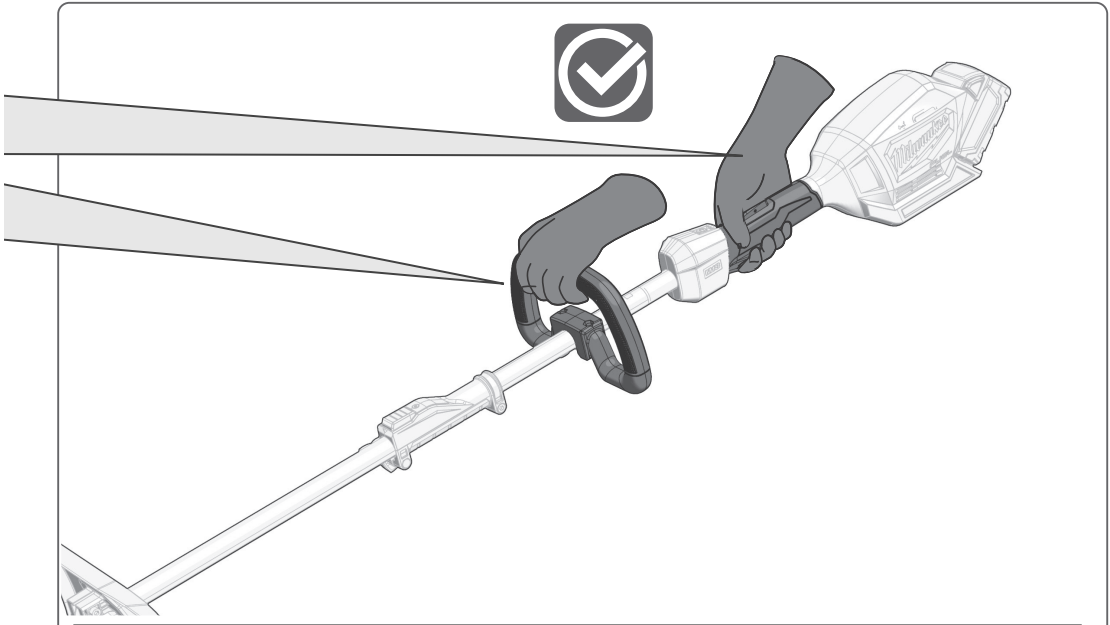
절연 그립 표면

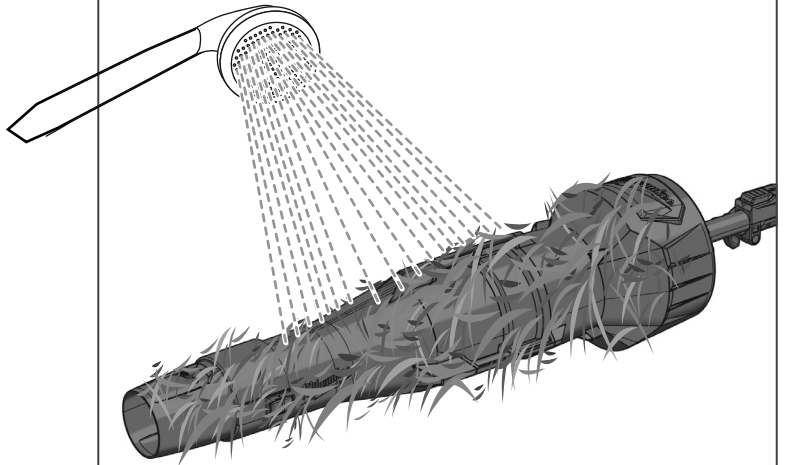
พื้นผิวจับกันความร้อน

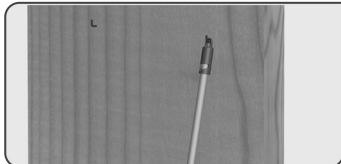
Permukaan genggam berinsulasi

Bề mặt cầm được cách điện

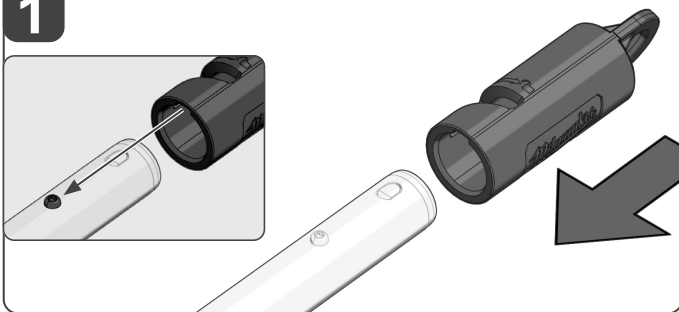
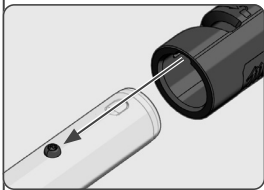
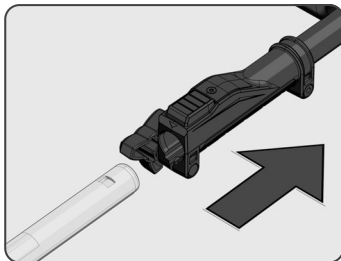
絶縁グリップ面



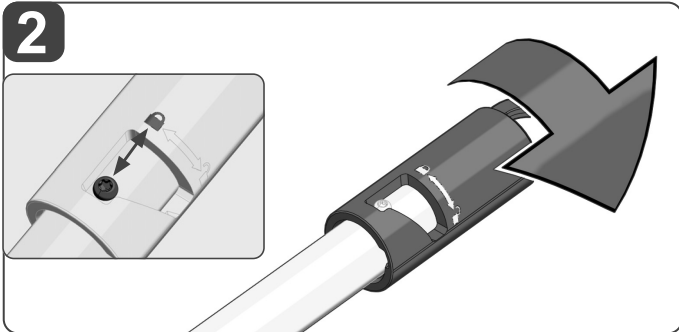
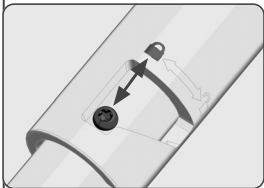




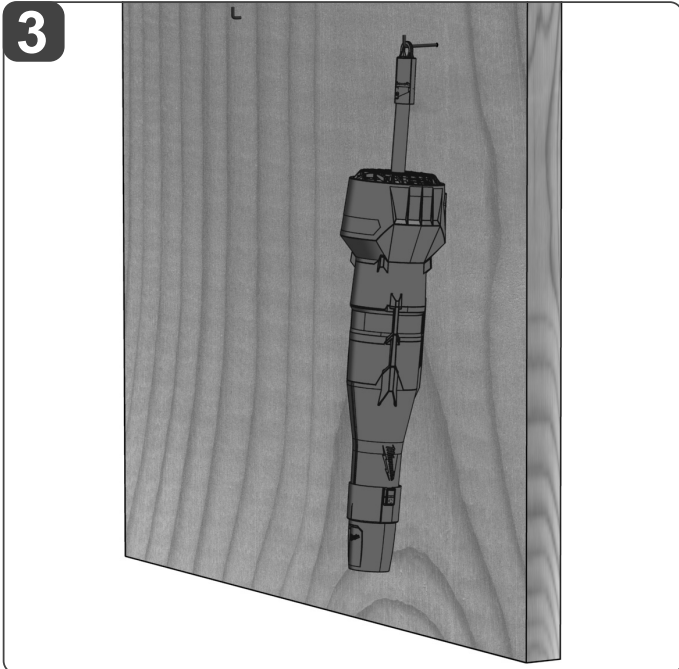
1



2



3



TECHNICAL DATA**M18 FOPH-BA**

Type	Cordless garden blower
Battery voltage	18 V ---
No-load speed	0–6640/8680 min ⁻¹
Air speed	0–193 km/h
Air flow rate	0–14.2 m ³ /min
Weight according EPTA-Procedure 01/2014 (2.0 Ah - 12.0 Ah)	5.38 kg – 6.44 kg
Weight (product only)	1.98 kg
Battery weight (M18B2 - M18 HB12)	0.43 kg – 1.49 kg
Recommended ambient operating temperature	-18 – +50 °C
Recommended battery types	M18B..., M18 HB..., M18 FB...
Recommended chargers	M12-18..., M18 DFC, M18 PC6

Noise information

Noise emission values determined according to EN 50636-2-100 Annex CC

A-weighted sound pressure level	74.2 dB (A)
Uncertainty K	3 dB (A)
A-weighted sound power level	94.2 dB (A)
Uncertainty K	3 dB (A)

Always wear ear protectors.

Vibration information

Total vibration values (vector sum in the three axes) determined according to EN 50636-2-100 Annex BB

Vibration emission value a_{h} / Uncertainty K

Vibration front handle	0.92 m/s ² / 1.5 m/s ²
Vibration rear handle	0.91 m/s ² / 1.5 m/s ²

⚠ WARNING!

The declared vibration total values and the declared noise emission values given in this instruction manual have been measured in accordance with a standardised test and may be used to compare one tool with another. They may be used for a preliminary assessment of exposure.

The declared vibration and noise emission values represent the main applications of the tool. However, if the tool is used for different applications, used with different accessories, or poorly maintained, the vibration and noise emission may differ. These conditions may significantly increase the exposure levels over the total working period.

An estimation of the level of exposure to vibration and noise should take into account the times when the tool is turned off or when it is running idle. These conditions may significantly reduce the exposure level over the total working period.

Identify additional safety measures to protect the operator from the effects of vibration and noise, such as maintaining the tool and the accessories, keeping the hands warm (in case of vibration), and organising work patterns.

⚠ WARNING! Read all safety warnings, instructions, illustrations and specifications provided with this power tool.

Failure to follow all instructions listed below may result in electric shock, fire, and/or serious injury.

Save all warnings and instructions for future reference.

CORDLESS BLOWER SAFETY WARNINGS**TRAINING**

Read the instructions carefully. Be familiar with the controls and the proper use of the product.

Keep in mind that the operator or user is responsible for accidents or hazards occurring to other people or their property.

PREPARATION

Obtain ear protection and safety glasses. Wear them at all times while operating the product.

While operating the product, always wear substantial footwear and long trousers. Do not operate the product when barefoot or wearing open sandals. Avoid wearing clothing that is loose fitting or that has hanging cords or ties.

Do not wear loose clothing or jewellery that can be drawn into the air inlet. Keep long hair away from the air inlets.

Operate the product in the recommended position and only on a firm, level surface.

Do not operate the product on a paved or gravel surface where ejected material could cause injury.

OPERATION

Never operate the product while people, especially children, or pets are nearby.

Always stand clear of the discharge zone when operating the product.

If the product becomes clogged, remove the battery pack before removing debris.

Never operate the product with defective guards or shields, or without safety devices, for example a debris collector in place.

Turn off the product and remove the battery pack. Make sure that all the moving parts have come to a complete stop:

- whenever you leave the product
- before clearing blockages or unclogging chute
- before checking, cleaning, or working on the product

Do not use the product for sucking.

Do not blow hot, flammable, or explosive material.

Use the product only in daylight or with good artificial light.

Always be sure of your footing on slopes.

Never blow the product in the direction of bystanders. Do not operate the product without tubes in place.

Walk, never run.

Keep all cooling air inlets clear of dirt.

Pay attention that bystanders are not injured through foreign objects thrown from the product.

Do not use the product for sucking liquids.

Do not overreach and keep your balance at all times.

Do not use the product in the rain or leave it outdoors while it is raining.

If the product is dropped, suffers heavy impact, or begins to vibrate abnormally, immediately turn off the product and inspect it for damage or identify the cause of the vibration. Any damage should be properly repaired or replaced by an authorised service centre.

MAINTENANCE AND STORAGE

When the product is turned off for servicing, inspection, or storage, or to change an accessory, remove the battery pack and make sure that all the moving parts have come to a complete stop. Allow the product to cool down before making any inspections, adjustments, etc. Maintain the product with care and keep it clean.

Store the product in a dry place, out of the reach of children.

Always allow the product to cool down before storing.

Do not modify the product. Unauthorised modifications may impair the safety of your product and may result in increased noise and vibration.

Keep all nuts, bolts, and screws tight to ensure that the product is in safe working condition.

Examine the product and replace worn or damaged parts for safety.

Replace worn or damaged parts for safety. Use only genuine replacement parts and accessories.

Never attempt to override the interlocked feature of the guard.

ADDITIONAL SAFETY INSTRUCTIONS

Never allow children, persons with reduced physical, sensory, or mental capabilities or lack of experience and knowledge or people who are unfamiliar with these instructions to use the product, local regulations may restrict the age of the operator.

Children should be supervised to ensure that they do not play with the product.

Remove the battery pack before starting any work on the product.

BATTERY SAFETY INSTRUCTIONS

Do not dispose of used battery packs in the household refuse or by burning them. MILWAUKEE distributors offer to retrieve old batteries to protect our environment.

Do not store the battery pack together with metal objects (short circuit risk).

Use only M18 System chargers for charging M18 System battery packs. Do not use battery packs from other systems.

Never break open battery packs and chargers, and store them only in dry rooms. Keep the battery packs and chargers dry at all times.

Battery acid may leak from damaged batteries under extreme load or extreme temperatures. In case of contact with battery acid, wash it off immediately with soap and water. In case of eye contact, rinse thoroughly for at least 10 minutes and immediately seek medical attention.

No metal parts must be allowed to enter the battery section of the charger (short circuit risk).

ADDITIONAL BATTERY SAFETY WARNINGS

⚠ WARNING! To reduce the risk of fire, personal injury, and product damage due to a short circuit, never immerse the product, battery pack, or charger in fluid or allow fluid to flow inside them. Corrosive or conductive fluids, such as seawater, certain industrial chemicals, and bleach or bleach-containing products, etc., can cause a short circuit.

SPECIFIED CONDITIONS OF USE

The product is intended for blowing of dirt and leaves.

Do not use the product for any other purpose.

BATTERIES

Battery packs that have not been used for some time should be recharged before use.

Temperatures in excess of 50 °C reduce the performance of the battery pack. Avoid extended exposure to heat or sunshine (risk of overheating).

The contacts of the chargers and battery packs must be kept clean.

For an optimum lifetime, the battery packs have to be fully charged after use.

To obtain the longest possible battery life, remove the battery pack from the charger once it is fully charged.

For battery pack storage longer than 30 days:

- Store the battery pack where the temperature is below 27 °C and away from moisture.
- Store the battery packs in a 30% – 50% charged condition.
- Every six months of storage, charge the battery pack as normal.

BATTERY PACK PROTECTION

In extremely high torque, binding, stalling, and short circuit situations that cause high current draw, the product vibrates for about 5 seconds, the fuel gauge flashes, and then the product turns off. To reset, release the trigger.

Under extreme circumstances, the internal temperature of the battery pack could raise too much. If this happens, the fuel gauge flashes until the battery pack cools down. After the lights go off, continue working.

TRANSPORTING LITHIUM BATTERIES

Lithium-ion batteries are subject to the Dangerous Goods Legislation requirements.

Transportation of those batteries has to be done in accordance with local, national, and international provisions and regulations.

Batteries can be transported by road without further requirements.

Commercial transport of lithium-ion batteries by third parties is subject to Dangerous Goods Regulations. Transport preparation and transport are exclusively to be carried out by appropriately trained persons and the process has to be accompanied by corresponding experts.

When transporting batteries:

- Ensure that the battery contact terminals are protected and insulated to prevent short circuit.
- Ensure that the battery pack is secured against movement within the packaging.
- Do not transport batteries that are cracked or leaking.
- Check with the forwarding company for further advice.

TRANSPORTATION AND STORAGE

Always turn of the product when transporting it from one location to another. Do not carry the product with the finger on the trigger. Accidental starting can cause serious personal injury.

Remove the battery pack and allow it to cool down before storing or transporting.

Carry the product by the front handle to avoid accidental starting. Proper handling of the product prevents injury.

For transportation in vehicles, secure the product against movement or falling to prevent injury to persons or damage to the product.

Remove all foreign materials from the product. Store the product in a cool, dry, and well-ventilated place that is inaccessible to children. Keep the product away from corrosive agents, such as garden chemicals and de-icing salts. Do not store the product outdoors.

Do not immerse the product in water or spray with a hose. Do not clean it with a pressure washer. Water entering a power tool increases the risk of electric shock. Store the product indoors.

Do not store the product on or near to fertilizers or chemicals.

CLEANING

Keep the ventilation slots of the product clear at all times.

MAINTENANCE

Keep all nuts, bolts, and screws tight to be sure that the product is in safe working condition.

Examine the product and replace worn or damaged parts for safety.

Service requires extreme care and knowledge and should be performed only by a qualified service technician. For service, return the product to your nearest authorised service centre for repair.

When servicing, use only identical replacement parts.

Turn off the product and remove the battery pack before conducting any maintenance or cleaning work.

You may make adjustments and repairs described in this manual. For other repairs, contact an authorised service centre.

After each use, clean the product with a soft, dry cloth. Any part that is damaged should be properly repaired or replaced by an authorised service centre.

Check all nuts, bolts, and screws at frequent intervals for proper tightness to ensure that the product is in safe working condition.

Use only MILWAUKEE accessories and MILWAUKEE spare parts. Should components that have not been described need to be

replaced, contact one of our MILWAUKEE service centres (see our list of guarantee or service addresses).

If needed, an exploded view of the product can be ordered. State the product type and the serial number on the label, and order the drawing at your local service centres.

SYMBOLS



Read the instructions carefully before starting the product.



CAUTION! WARNING! DANGER!



Remove the battery pack before starting any work on the product.



Wear gloves.



Wear ear protectors.



Always wear goggles when using the product.



Wear safety shoes.



Wear long trousers.



Use both hands while operating the product.



Ensure that nobody is at risk of materials being catapulted out or falling.



Failure to keep hands away from the air inlet could result in personal injury.



Failure to keep long hair away from the air inlet could result in personal injury.



Do not wear loose clothing or jewellery that can be drawn into the air inlet.



Ensure that nobody is at risk of materials being catapulted out or falling.



Never expose the product to rain.



Guaranteed sound power level



Accessory - Not included in standard equipment, available as an accessory.

n_0

No-load speed

V

Voltage



Direct current



Do not dispose of waste batteries, waste electrical and electronic equipment as unsorted municipal waste. Waste batteries and waste electrical and electronic equipment must be collected separately. Waste batteries, waste accumulators and light sources have to be removed from equipment. Check with your local authority or retailer for recycling advice and collection point. According to local regulations retailers may have an obligation to take back waste batteries and waste electrical and electronic equipment free of charge. Your contribution to re-use and recycling of waste batteries and waste electrical and electronic equipment helps to reduce the demand of raw materials. Waste batteries, in particular containing lithium and waste electrical and electronic equipment contain valuable, recyclable materials, which can adversely impact the environment and the human health, if not disposed of in an environmentally compatible manner. Delete personnel data from waste equipment, if any.

類型	電動園林吹風機
電池電壓	18 V ---
無負載轉速	0 - 6640/8680 min ⁻¹
風速	0 - 193 km/h
出風量	0 - 14.2 m ³ /min
根據 EPTA-Procedure 01/2014 的重量 (2.0 Ah - 12.0 Ah)	5.38 公斤 - 6.44 公斤
重量 (產品淨重)	1.98 公斤
電池重量 (M18B2 - M18 HB12)	0.43 公斤 - 1.49 公斤
建議操作環境溫度	-18 - +50 °C
建議電池類型	M18B... , M18 HB... , M18 FB...
建議充電器	M12-18... , M18 DFC, M18 PC6

噪聲資訊

根據 EN 50636-2-100 附錄 CC 確定的噪聲釋放值。

A加權聲壓量	74.2 dB (A)
不確定性的測量 K	3 dB (A)
A加權聲功率級	94.2 dB (A)
不確定性的測量 K	3 dB (A)

務必佩戴護耳器。

振動資訊

根據 EN 50636-2-100 附錄 BB 確定的總振動值 (三軸向量總和)

振動釋放值 a_w /不確定性的測量 K

振動前把手	0.92 m/s ² / 1.5 m/s ²
振動後把手	0.91 m/s ² / 1.5 m/s ²


警告!

本說明書所提供的聲明的振動總值和噪聲釋放值是依標準化測試所測得，且可能用於與另一個工具進行比較。該等級可用來初步評估風險。

聲明的振動和噪聲釋放值代表的是本工具的主要應用。然而，如果用於不同的應用、使用不同的配件或保養不當，振動釋放也可能不同。這可能會在整個工作週期內顯著增加風險等級。

評估振動和噪聲暴露的等級還應考慮本工具開機時的時間，或當工具運轉但卻未實際使用的時間。這可能會明顯降低整個工作週期內的風險等級。

請確認額外的安全措施，以保護使用者不受振動和噪聲的影響，例如：保養工具與配件、保持手部溫暖和井然有序的工作方式。

 **警告!** 請閱讀本工具隨附的所有安全警告、說明、插圖及規格。不遵循這些警告和說明會導致觸電、火災和/或嚴重傷害。

將所有警告和說明保存好，方便以後查閱。

電動鼓風機安全警告

訓練

請仔細閱讀說明。熟悉控制和正確使用工具的方法。

請緊記如對其他人或其所有物造成意外或危險，操作者或使用者須為此負責。

準備

取得護耳罩及護目鏡。當操作工具時，務必配戴防護用具。

當操作工具時，務必穿戴結實的鞋類及長褲。請勿赤腳或穿著露趾涼鞋操作本工具。避免穿著寬鬆或有掛繩子、領帶的衣服。

切勿穿著寬鬆的衣服或首飾，以免吸入進氣口。保持長髮遠離進氣口。

只能在堅固的水平面上，按照建議的位置操作工具。

切勿在鋪砌或沙磧的表面上操作工具，彈出的物料可能導致傷害。

操作

當人們 (尤其是兒童或者寵物) 在附近時，切勿操作本工具。

操作工具時，務必遠離放電區。

如果工具受堵塞，先移除電池組，才清除碎屑。

當工具的防護裝置或防護罩出現缺陷，或沒有配備安全裝置 (如碎屑收集器) 時，切勿使用工具。

關掉工具並取出電池組。確保所有運動部件已經完全停止：

- 每當您留下工具時；
- 清理堵塞或疏通斜槽前；
- 檢查、清潔或使用工具前。

切勿以工具吸入用途。

不要吹熱、易燃或易爆的物料。

只能在日光或人造光線下使用工具。

務必確保站穩於斜坡上。

不要吹向旁觀者的方向。在沒有管子的情況下，切勿操作。

只可步行，不要奔跑。

保持所有冷卻的進氣口清潔。

注意切勿讓工具排放的異物對旁觀者造成傷害。

切勿以工具吸入液體。

切勿伸展太遠，並時刻保持平衡。

下雨時，請勿在雨中使用本產品或將產品留在室外。

如果工具掉落、受到重大衝擊或者開始異常振動，請立即停止工具，並檢查確認是否有損壞或者確認振動的原因。任何損壞應由授權的維修中心妥善維修或更換。

維修及儲存

當關閉產品進行維修、檢查或存放或更換附件時，請取出電池組，並確保所有轉動部件已完全停止。在進行任何檢查、調整等工作之前，讓工具冷卻。小心保養工具並保持清潔。

將工具存放在乾燥的地方，並且確保兒童無法接觸。

存放之前，請務必讓工具冷卻。

切勿修改本工具。不認可的修改將會損害工具的安全性，並增加噪音及振動。

保持所有螺母、螺栓和螺釘緊固，以確保產品處於安全工作狀態。

檢查產品並更換磨損或損壞的部件以確保安全。

更換磨損或損壞的零件，以確保安全。只可使用原裝的更換部件及配件。

不要嘗試操控防護裝置的互鎖功能。

其他安全說明

不要讓兒童、身體、感官或精神能力下降的人員或缺乏經驗及知識的人，或不熟悉這些指示的人使用產品。當地法規可能會限制使用者的年齡。

應監督兒童以確保他們不會將產品當作玩具。

對工具進行任何工作前，先移除電池組。

電池組安全說明

請勿將用過的電池組與家庭廢棄物混合或燃燒電池組。MILWAUKEE 提供舊電池組回收，以保護我們的環境。

請勿將電池組與其他金屬物品一起存放（可能引起短路）。

僅可使用 M18 系統充電器對 M18 系統電池組進行充電。請勿使用其他系統的電池組。

不可拆開電池組和充電器。電池組和充電器必須儲藏在乾燥的空間，勿讓濕氣滲入。必須經常保持乾燥。

在極端負載或極端溫度下，損壞的電池組可能漏出內部酸液。若碰到電池組酸液，請即刻用肥皂與清水沖洗乾淨。若酸液接觸到眼睛，以清水徹底沖洗至少10分鐘後立即就醫。

切勿讓金屬部份接觸充電器的電池組部份（有短路風險）。

附加電池組安全警告

▲ 警告！為了減少因短路而導致火災、人身傷害和工具損壞的風險，請勿將工具、電池組或充電器浸沒在流體中或使流體流入其中。腐蝕性或導電性流體（如海水、某些工業化學品、以及漂白劑或含漂白劑的產品等）都會導致短路。

特定使用條件

本工具用於吹灰塵及樹葉。

請勿將本工具用於任何其他目的。

電池組

久未使用的電池組必須重新充電後再使用。

超過50 °C的高溫會降低電池組的效能。避免暴露於高溫或陽光下（可能導致過熱）。

充電器和電池組的接觸點處應保持清潔。

為確保最佳電池組使用壽命，電池組使用後應再完全充電。

為確保電池組的最長壽命，充電完成後，請勿將電池組繼續留在充電器上。

電池組儲存時間長於30日：

- 將電池組存放在溫度低於27 °C的環境，且避免受潮；
- 將電池組保持在充電量30% - 50%的狀態
- 每存放六個月，請按正常方式對電池組充電。

電池組過載保護

因一些諸如極高的扭力、外物附着、突然停機和線路短路發生的情況下，會導致高電流消耗此等情況下，工具將振動約5秒，電量計閃爍，然後工具將停止及關閉。如要重置，鬆開扳機。

在極端情況下，電池組內部的溫度可能變得太高。如果發生這種情況，電量計會閃爍直至電池組冷卻下來。燈熄滅後，可以繼續工作。

運輸鋰電池組

鋰離子電池組須受制於危險品法例的要求。

運送鋰電池組必須在符合當地、國家及國際標準及法例的情況下進行。

使用者可於陸地上運送電池組而毋須受限；

第三方負責的商業式鋰電池組運送須受制於危險品法例。運送的預備及過程必須由受專業訓練的人士進行，亦必須得到專家在場監管。

運送電池組時：

- 請確保電池組接觸端子受到嚴密保護及經過絕緣，防止短路；
- 請確保電池組妥善包裝，防止碰撞磨擦；
- 切勿運送已有裂痕或已有洩漏的電池組。
- 建議與速遞公司緊密聯繫以獲得進一步資訊。

運輸與儲存

將工具從一個位置運輸到另一個位置時，請務必關閉此工具。搬運產品時，請勿將手指放在扳機上。意外啟動會導致嚴重的人身傷害。

存放或運輸工具前，先取出電池組，並讓其冷卻後。

握住前把手搬運工具，以免意外啟動。正確處理工具可防止受傷。

如果用車輛運輸，確保工具不會移動或者跌落，以免造成人身傷害或工具損壞。

清除工具中的所有異物。將工具存放在陰涼、乾燥、通風良好而且兒童無法接觸到的地方。保持產品遠離腐蝕劑，如園藝化學品和除冰鹽。請勿將產品存放在室外。

請勿將工具浸入水中或用軟管噴灑。請勿使用高壓清洗機清潔工具。當水進入電動工具內，便會增加觸電的風險。只能將工具存放在室內。

請勿將工具存放在肥料或化學品上或附近。

清潔

本產品的通風孔必須時刻保持暢通。

維修

保持所有螺母、螺栓和螺釘緊固，以確保產品處於安全工作狀態。

檢查產品並更換磨損或損壞的部件以確保安全。

維修需要非常謹慎和知識，並且只能由合格的維修技術人員執行。如需要維修服務，我們建議您將工具退回您最近的授權服務中心進行維修。維修時，只能使用相同的更換零件。

在進行任何維護或清潔工作之前，請關閉工具並取出電池組。

您可以按照本說明書所述進行調整和維修。如需其他維修服務，請聯繫授權服務中心。

每次使用後，請用柔軟的乾布清潔工具。任何損壞的部件應由授權維修中心進行適當維修或更換。

經常檢查所有螺母、螺栓和螺釘是否緊固，以確保工具處於安全工作狀態。

只能使用 MILWAUKEE 配件和備件。如果需要更換的組件在此沒有介紹，請與其中一個 MILWAUKEE 服務代理機構聯繫（參見我們的維修/服務地址列表）。

如果需要，可以訂閱工具的分解圖。諮詢圖件時，請您向當地的顧客服務中心提供以下資料：銘牌上的工具號碼及機型。

符號



啟動工具前，請仔細閱讀本說明。



注意！警告！危險！



對工具進行任何工作前，先移除電池組。



佩戴手套。



佩戴防護耳罩。



使用本工具時務必佩戴護目鏡。



穿安全鞋。



穿著長褲。



使用雙手操作工具。



確保沒有人有被材料彈射或掉落的風險。



雙手必須保持遠離進氣口，否則會導致人身傷害。



必須保持長髮遠離進氣口，否則會導致人身傷害。



切勿穿著寬鬆的衣服或首飾，以免吸入進氣口。



確保沒有人有被材料彈射或掉落的風險。



請勿將產品暴露在雨中。



認證的聲功率級



配件 - 不在標配設備中，可作為配件供應。

n_0

無負載轉速

V

電壓



直流電



請勿將廢電池組、廢電器、廢電子設備等廢棄物作為未分類城市廢棄物進行處理。必須分開回收廢電池組、廢電器及廢電子設備。廢鋰電池組、廢電池組和燈源必須從設備上拆下。請與當地相關部門或經銷商聯繫，了解回收建議和收集地點。根據地區規定，零售商有義務免費回收廢電池組、廢電器和廢電子設備。您對重用及回收廢電池組、廢電器和廢電子設備作出貢獻，有助於減少原料需求。廢電池組，特別是含有鋰和含有可回收利用的有價值物質的廢電器、廢電子設備，如果不以與環境兼容的方式廢棄，可能會對環境和人類健康產生不良影響。如果廢電子設備中有任何個人數據，請在棄置前刪除。

技术数据	M18 FOPH-BA
类型	鼓风机机头
电池电压	18 V ---
无负载转速	0 - 6640/8680 min ⁻¹
风速	0 - 193 km/h
出风量	0 - 14.2 m ³ /min
根据 EPTA-Procedure 01/2014 的重量 (2.0 Ah - 12.0 Ah)	5.38 公斤 - 6.44 公斤
重量 (产品净重)	1.98 公斤
电池重量 (M18B2 - M18 HB12)	0.43 公斤 - 1.49 公斤
建议操作环境温度	-18 - +50 °C
建议电池类型	M18B..., M18 HB..., M18 FB...
建议充电器	M12-18..., M18 DFC, M18 PC6

噪声信息

根据 EN 50636-2-100 附录 CC 确定的噪声释放值。

A-值音压值	74.2 dB (A)
不确定性的测量 K	3 dB (A)
A-值声功率值	94.2 dB (A)
不确定性的测量 K	3 dB (A)

务必佩戴防护耳罩。

振动信息

根据 EN 50636-2-100 附录 BB 确定的总振动值 (三轴向量总和)

振动值 a_v /不确定性的测量 K

振动前把手	0.92 m/s ² / 1.5 m/s ²
振动后把手	0.91 m/s ² / 1.5 m/s ²

A 警告!

本说明书所提供的声明的振动总值和噪声释放值是依标准化测试所测得, 且可能用于与另一个工具进行比较。该等级可用来初步评估风险。声明的振动和噪声释放值代表的是本工具的主要应用。然而, 如果用于不同的应用、使用不同的配件或保养不当, 振动释放也可能不同。这可能会在整个工作周期内显著增加风险等级。

评估振动和噪声暴露的等级还应考虑本工具关机时的时间, 或当工具运转但却未实际使用的时间。这可能会明显降低整个工作周期内的风险等级。

请确认额外的安全措施, 以保护使用者不受振动和噪声的影响, 例如: 保养产品与配件、保持手部温暖和井然有序的工作方式。

A 警告! 阅读此电动工具提供的所有安全警告、说明、插图和说明。不遵循这些警告和说明会导致触电、火灾和/或严重伤害。

保存好所有警告和说明书以备查阅。

鼓风机机头安全警告

训练

请仔细阅读说明。熟悉控制和正确使用工具的方法。

请牢记如对其他人或其所有物造成意外或危险, 操作者或使用者须为此负责。

准备

取得护耳罩及护目镜。当操作工具时, 务必配戴防护用具。

当操作工具时, 务必穿戴结实的鞋类及长裤。请勿赤脚或穿着露趾凉鞋操作本工具。避免穿着宽松或有挂绳子、领带的衣服。

切勿穿着宽松的衣服或首饰, 以免吸入进气口。保持长发远离进气口。

只能在坚固的水平面上, 按照建议的位置操作工具。

切勿在铺砌或沙砾的表面上操作工具, 弹出的物料可能导致伤害。

操作

当人们 (特别是儿童或宠物) 在附近时, 切勿操作本工具。

操作工具时, 务必远离放电区。

如果工具受堵塞, 先移除电池, 才清除碎屑。

当工具的防护装置或防护罩出现缺陷, 或没有配备安全装置 (如碎屑收集器) 时, 切勿使用工具。

关掉工具并取出电池组。确保所有运动部件已经完全停止:

- 每当您留下工具时;
- 清理堵塞或疏通斜槽前;
- 检查、清洁或使用工具前。

切勿以工具吸入用途。

不要吹热、易燃或易爆的物料。

只能在日光或人造光线下使用工具。

务必确保站稳于斜坡上。

不要吹向旁观者的方向。在没有管子的情况下，切勿操作。

只可步行，不要奔跑。

保持所有冷却的进气口清洁。

注意切勿让工具排放的异物对旁观者造成伤害。

切勿以工具吸入液体。

切勿伸展太远，并时刻保持平衡。

下雨时，请勿在雨中使用本产品或将产品留在室外。

如果工具掉落、受到重大冲击或者开始异常震动，请立即停止工具，并检查确认是否有损坏或者确认震动的原因。任何损坏应由授权的维修中心妥善维修或更换。

维修及存储

当关闭产品进行维修、检查或存放或更换附件时，请取出电池组，并确保所有转动部件已完全停止。在进行任何检查、调整等工作之前，让工具冷却。小心保养工具并保持清洁。

将工具存放在干燥的地方，并确保儿童无法接触。

存放之前，请务必让工具冷却。

切勿修改本工具。不认可的修改将会损害工具的安全性，并增加噪音及振动。

保持所有螺母、螺栓和螺钉紧固，以确保产品处于安全工作状态。

检查产品并更换磨损或损坏的部件以确保安全。

更换磨损或损坏的零件，以确保安全。只可使用原装的更换部件及配件。

不要尝试操控防护装置的互锁功能。

其他安全说明

不要让儿童、身体、感官或精神能力下降的人员或缺乏经验及知识的人，或不熟悉这些指示的人使用产品。当地法规可能会限制使用者的年龄。

儿童不得在没有监督的情况下进行清洁和用户维护。

在产品上开始任何工作之前，请先取出电池组。

电池组安全说明

用过的电池组不可以丢入火中或一般的家庭垃圾中。美沃奇提供旧电池组回收，以保护我们的环境。

电池组不可以和金属物体存放在一起（可能产生短路）。

M18 系列的电池组只能和 M18 系列的充电器配合使用。不可以使用其他系列的电池组。

不可拆开电池组和充电器。电池组和充电器必须储藏在干燥的空间，勿让湿气渗入。必须经常保持干燥。

在过度超荷或极端的温度下，可能从损坏的电池组中流出液体。如果触摸了此液体，必须马上使用肥皂和大量清水冲洗。如果此类流体侵入眼睛，马上用清水彻底清洗眼睛（冲洗至少10分钟），接着立刻就医治疗。

切勿让金属部分接触充电器的电池组部份（有短路风险）。

附加电池组安全警告

警告！为了减少因短路而导致火灾、人身伤害和工具损坏的风险，请勿将工具、电池组或充电器浸没在流体中或使流体流入其中。腐蚀性或导电性流体（如海水、某些工业化学品，以及漂白剂或含漂白剂的产品等）都会导致短路。

特定使用条件

本工具用于吹灰尘及树叶。

请勿将本工具用于任何其他目的。

电池组

长期存放的电池组必须先充电再使用。

超过50℃的高温会降低电池组的效能。避免暴露于高温或阳光下（可能导致过热）。

充电器和电池组的接触点处应保持清洁。

为获得最长寿命，使用后应把电池组充满电。

为确保最长使用寿命，充电后应把电池组从充电器中取出。

电池组储藏时间大于30天的存放要求：

- 将电池组存放于温度低于27℃的环境，且避免受潮；
- 将电池组保存在充电量30%-50%的状态；
- 每存放六个月，请按正常方式对电池组充电。

电池组超载保护

因一些诸如极高的扭力、外物附着、突然停机和线路短路发生的情况下，会导致高电流消耗。此等情况下，工具将振动约5秒，电量计灯闪烁，然后工具将停止及关闭。如要重置，松开扳机。

在极端情况下，电池组的内部温度可能会变高。如果发生这种情况，电量计会闪烁直至电池组冷却下来。灯熄灭后，可以继续工作。

锂电池组的运输

锂电池组属于危险品并受制于危险品运输条例。

此电池组的运输必须遵守地方、国家和国际法律规定。

用户在公路上运输此电池组不必遵守特殊规定；

锂电池组的商业性运输受制于危险品运输条例的规定。运输准备和运输必须由受过专业培训的人员进行。全程必须由专业人员监督。

运输电池组时必须注意到下列事项：

- 为避免短路，必须确保电池组接点的防护和绝缘；
- 确保包装中的电池组包不会滑动；
- 严禁运输已损坏或已产生泄漏的电池组。
- 更多运输建议请联系运输公司。

运输与存储

将工具从一个位置运输到另一个位置时，请务必关闭此工具。搬运产品时，请勿将手指放在扳机上。意外启动会导致严重的人身伤害。

存放或运输产品前，先取出电池组，并让其冷却。

搬运产品时，以免意外启动。正确处理工具可防止受伤。

如果用车辆运输，确保工具不会移动或者跌落，以免造成人身伤害或工具损坏。

清除工具中的所有异物。将工具存放在阴凉、干燥、通风良好而且儿童无法接触到的地方。保持产品远离腐蚀性，如园艺化学品和除冰盐。请勿将产品存放在室外。

请勿将工具浸入水中或用软管喷洒。请勿使用高压清洗机清洁工具。当水进入电动工具内，便会增加触电的风险。只能将工具存放在室内。

请勿将工具存放在肥料或化学品上或附近。

清洁

本产品的通风孔必须时刻保持畅通。

维修

保持所有螺母、螺栓和螺钉紧固，以确保产品处于安全工作状态。

检查产品并更换磨损或损坏的部件以确保安全。

维修需要非常谨慎和知识，并且只能由合格的维修技术人员执行。如需维修，我们建议您将工具退回您最近的授权服务中心进行维修。维修时，只能使用相同的更换零件。

在进行任何维护或清洁工作之前，请关闭工具并取出电池组。

您可以按照本说明书所述进行调整和维修。如需其他维修服务，请联系授权服务中心。

每次使用后，请用柔软的干布清洁工具。任何损坏的部件应由授权维修中心进行适当维修或更换。

经常检查所有螺母、螺栓和螺钉是否紧固，以确保工具处于安全工作状态。

只能使用美沃奇的附件和配件。如果需要更换未描述的组件，请联系我们的美沃奇服务代理（请参阅我们的认可/维修的地址列表）。

如果需要，可以索取工具的分解图。在标签上注明工具类型和序列号，然后在当地服务中心订购图纸。

符号



启动产品前，请仔细阅读本说明书。



注意！警告！危险！



在产品上开始任何工作之前，请先取出电池组。



佩戴手套。



佩戴防护耳罩。



使用本产品时必须佩戴护目镜。



穿安全鞋。



穿着长裤。



使用双手操作工具。



确保没有人有被材料弹射或掉落的风险。



双手必须保持远离进气口，否则会导致人身伤害。



必须保持长发远离进气口，否则会导致人身伤害。



切勿穿着宽松的衣服或首饰，以免吸入进气口。



确保没有人有被材料弹射或掉落的风险。



请勿将产品暴露在雨中。



认证的声功率级



附件 - 不在标配设备中，可作为附件供应。

n_0

无负载转速

V

电压



直流电



请勿将废电池组、废电器、废电子设备等废弃物作为未分类城市废弃物进行处理。必须分开回收废电池组、废电器及废电子设备。废锂电池组、废电池组和灯源必须从设备上拆下。请与当地相关部门或经销商联系，了解回收建议和收集地点。根据地区规定，零售商有义务免费回收废电池组、废电器和废电子设备。您对重用及回收废电池组、废电器及废电子设备作出贡献，有助于减少原料需求。废电池组，特别是含有锂和含有可回收利用的有价值物质的废电器、废电子设备，如果不以与环境兼容的方式废弃，可能会对环境 and 人类健康产生不良影响。如果废电子设备中有任何个人数据，请在弃置前删除。

유형	무선 송풍기
배터리 전압	18 V ---
무부하 속도	0-6640/8680 min ⁻¹
공기 속도	0-193 km/h
공기 유량	0-14.2 m ³ /min
EPTA 규정 01/2014에 따른 중량(2.0 Ah - 12.0 Ah)	5.38 kg - 6.44 kg
무게(제품만)	1.98 kg
배터리 무게(M18B2 - M18HB12)	0.43 kg - 1.49 kg
권장 주변 작동 온도	-18 - +50 °C
권장 배터리 팩	M18B..., M18 HB..., M18 FB...
권장 충전기	M12-18..., M18 DFC, M18 PC6
소음 정보	
EN 50636-2-100 부록 CC에 따른 소음 방출 값	
가중치 음압 레벨	74.2 dB (A)
불확정성 K	3 dB (A)
가중치 음향 파워 레벨	94.2 dB (A)
불확정성 K	3 dB (A)
항상 보안경을 착용하십시오.	
진동 정보	
EN 50636-2-100 부록 BB에 따른 총 진동 값(3축의 벡터 합)	
진동 방출 값 a _w / 불확정성 K	
진동 전방 핸들	0.92 m/s ² / 1.5 m/s ²
진동 후방 핸들	0.91 m/s ² / 1.5 m/s ²

⚠ 경고!

이 지침 설명서에 표시되어 있는 진동 총 수치와 소음 방출 수치는 표준화된 테스트에 따라 측정되었으며 공구끼리 서로 비교하는 데 사용할 수 있습니다. 노출 예비 평가에 사용할 수 있습니다.

표시된 진동 및 소음 방출 수치는 공구의 주 용도로 사용 시에 측정된 값을 나타냅니다. 하지만 공구를 다른 용도로 사용하거나, 다른 부속품과 함께 사용하거나, 부실하게 유지보수할 경우에는 진동 및 소음 방출 수준이 달라질 수 있습니다. 이런 조건은 총 작업 시간에 대한 노출 수준을 상당히 증가시킬 수 있습니다.

진동 및 소음 노출 수준을 추정할 때는 공구의 전원을 끄거나 공회전되는 시간을 고려해야 합니다. 이런 조건은 총 작업 시간에 대한 노출 수준을 상당히 감소시킬 수 있습니다.

공구와 부속품의 유지, 손의 보온 상태 유지(진동의 경우), 작업 패턴 구성과 같이, 작업자를 진동 및 소음의 영향으로부터 보호하기 위한 추가 안전 대책을 파악하십시오.

⚠ 경고! 공구와 함께 제공된 제반 안전 경고, 사용 설명서, 그림 및 사양을 숙지하십시오. 아래의 지침을 따르지 않으면 전기 충격, 화재 및 중대한 부상을 초래할 수 있습니다.

모든 경고 및 지침서는 다음에 참조할 수 있도록 잘 보관해 두십시오.

무선 송풍기 안전 경고**교육**

본 지침 사항을 숙지하십시오. 제품의 올바른 제어 및 사용 방법을 숙지하십시오.

다른 사람이나 재산에 대해 발생할 수 있는 사고나 위험에 대한 책임은 작업자나 사용자에 있음을 명시하십시오.

준비

귀마개 및 보안경을 착용하십시오. 제품을 작동하는 동안에는 항상 이를 착용하십시오.

제품 작동 중에는 항상 견고한 신발과 긴 바지를 착용하십시오.

맨발이나 샌들을 신고 있을 때에는 제품을 조작하지 마십시오. 헐렁하거나 끈 등이 달린 의류는 착용하지 마십시오.

공기 흡입구로 유입될 수 있는 헐거운 옷이나 장신구를 착용하지 마십시오. 긴 모발이 공기 흡입구 근처에 가지 않도록 하십시오.

권장 자세로 단단하고 평평한 곳에서만 제품을 작동하십시오.

튀어나온 물체가 부상을 유발할 수 있는 포장된 바닥 또는 자갈이 깔린 곳에서 제품을 작동하지 마십시오.

작동

주변에 사람(특히 어린이)이나 반려동물이 있는 경우에는 절대 제품을 작동하지 마십시오.

제품을 작동할 때는 항상 방출구 쪽을 멀리 두십시오.

제품이 막히면 이물질 제거하기 전에 배터리 팩을 분리하십시오.

보호대 또는 실드에 결함이 있거나 안전장치(예: 제자리에 장착된 이물질 수집 장치)가 없는 상태에서 제품을 작동하지 마십시오.

제품의 전원을 끄고 배터리 팩을 분리합니다. 다음의 경우 모든 움직임은 부품이 완전히 정지했는지 확인하십시오.

- 제품을 두고 자리를 비울 경우
- 악힘 제거 또는 슈트 막힘 제거 전
- 제품의 점검, 청소 또는 작업 전

제품을 흡입에 사용하지 마십시오.

고온, 가연성 또는 폭발성 물질에 사용하지 마십시오.

햇빛 아래 또는 인공조명이 양호한 상태에서만 본 제품을 사용하십시오.

항상 당신이 경사진 곳에 발을 디디고 있는지 확인하십시오.

주변 사람을 향해 제품을 사용하지 마십시오. 튜브가 장착되지 않은 상태에서 제품을 작동하지 마십시오.

사용 시 걸어 다니고, 절대 뛰지 마십시오.

모든 냉각 공기 흡입구를 먼지가 없는 상태로 유지하십시오.

제품에서 튀어나온 이물질로 인해 주변 사람이 다치지 않도록 주의하십시오.

역체를 흡입하는 데 제품을 사용하지 마십시오.

팔을 과하게 뻗지 말고 항상 균형을 유지하십시오.

빗속에서 제품을 사용하거나 비가 오는 동안 실외에 방치하지 마십시오.

제품을 떨어뜨리고, 상당한 충격을 경험하거나 비정상적인 진동이 발생할 경우, 제품 전원을 즉시 끄고 손상 여부를 검사하거나 진동 원인을 파악합니다. 손상된 부품이 있으면 공인 서비스 센터에서 적절한 수리 또는 교체 서비스를 받아야 합니다.

유지 관리 및 보관

서비스, 검사나 보관을 위해 또는 액세서리를 교체하기 위해 제품을 끄는 경우 배터리 팩을 분리하고 모든 동작 부품이 완전히 정지했는지 확인하십시오. 검사, 조정 등을 수행하기 전에 제품을 식히십시오. 제품을 주의해서 관리하고 청결하게 유지하십시오.

어린이의 손이 닿지 않는 건조한 장소에 제품을 보관하십시오.

보관하기 전에 항상 제품을 식히십시오.

제품을 개조하지 마십시오. 무단 개조는 제품의 안전성을 저해하고 소음과 진동의 증가를 초래할 수 있습니다.

너트, 볼트 및 나사를 모두 조여 제품이 안전한 작동 조건에 있는지 확인합니다.

제품을 조사하고 안전을 위해 마모되거나 손상된 부품은 교체하십시오.

안전을 위해 마모되거나 손상된 부품은 교체하십시오. 순정 교체 부품 및 액세서리만 사용하십시오.

보호대의 연동 기능을 우회하려고 하지 마십시오.

추가 안전 지침

어린이나 신체적, 감각적, 또는 정신적 능력이 떨어지거나 경험과 지식이 부족한 사람, 또는 이러한 지침에 익숙하지 않은 사람이 이 제품을 사용하지 않도록 하십시오. 현지 규정에 따라 사용자의 연령이 제한될 수 있습니다.

어린이가 제품을 가지고 놀지 않도록 감독해야 합니다.

제품에서 특정한 작업을 시작하기 전에 배터리 팩을 분리하십시오.

배터리 관련 안전 지침

사용한 배터리 팩을 가정용 쓰레기로 폐기하거나 이를 태우지 마십시오. MILWAUKEE 유통업체에서는 소모된 배터리를 수거하여 환경을 보호합니다.

배터리 팩을 금속 물체와 함께 보관하지 마십시오(단락 회로 위험).

M18 시스템 배터리 팩을 충전하려면 M18 시스템 충전기만 사용하십시오. 다른 시스템의 배터리 팩을 사용하지 마십시오.

배터리 팩과 충전기를 개방하지 말고, 건조한 곳에 보관하십시오.

배터리 팩과 충전기는 항상 건조한 상태로 유지하십시오.

극심한 부하 또는 극심한 온도 조건에서 손상된 배터리로부터 배터리 산이 누출될 수 있습니다. 배터리 산과 접촉한 경우,

비눗물로 즉시 세척하십시오. 눈과 접촉할 경우, 최소 10분 동안 철저히 세정한 후 즉각적인 의료 조치를 취하십시오.

충전기의 배터리 부위에 어떤 금속 조각도 들어가서는 안됩니다 (합선 위험이 있습니다).

추가 배터리 안전 주의 사항

⚠ 경고! 단락 회로로 인한 화재, 작업자 부상 및 제품 손상 위험을 줄이려면 제품, 배터리 팩 또는 충전기를 유체에 침수시키거나 유체가 내부로 흘러들어가지 않도록 해야 합니다. 해수, 특정한 산업용 화학 물질 및 표백제 또는 표백제 함유 제품 같은 부식성 또는 전도성 유체 등은 단락 회로를 야기할 수 있습니다.

구체적인 사용 조건

이 제품은 먼지와 낙엽을 불어내는 용도입니다.

다른 목적으로 제품을 사용하지 마십시오.

배터리

오랫 동안 사용하지 않은 배터리 팩은 사용하기 전에 충전해야 합니다.

50 °C를 초과하는 온도는 배터리 팩의 성능을 저하시킵니다. 열이나 햇빛에 오래 노출시키지 마십시오(과열 위험).

충전기 점등 및 배터리 팩을 정렬한 상태로 유지해야 합니다.

최적의 수명을 보장하려면 사용한 후에 배터리 팩을 완전히 충전해야 합니다.

배터리 수명을 최대한 연장하려면 완전히 충전된 경우 충전기에서 배터리 팩을 제거하십시오.

30일 이상 배터리 팩을 보관하는 경우:

- 온도가 27 °C 이하이며 습기가 없는 장소에 배터리 팩을 보관하십시오.
- 배터리 팩을 30% - 50% 충전된 조건으로 보관하십시오.
- 보관 후 6개월마다 배터리를 정상적으로 충전합니다.

배터리 팩 보호

매우 높은 토크에서, 고전류 드로우를 야기하는 결속, 실속 및 단락 회로 상황이 발생하고, 공구가 약 5초 동안 진동하며 연료 게이지가 깜박인 다음, 공구가 꺼집니다. 재설정하려면 트리거를 해제하십시오.

극심한 환경 조건에서, 배터리 팩의 내부 온도가 급격히 상승할 수 있습니다. 이런 상황이 발생하면 배터리 팩이 식을 때까지 연료 게이지가 점멸합니다. 조명이 꺼진 후 작업을 계속 진행하십시오.

리튬 배터리의 운송

리튬 이온 배터리는 위험물 범용 요건의 적용을 받습니다.

이 배터리는 현지, 국내 및 국제 규정과 법규에 따라 운송해야 합니다.

배터리는 추가 요구 사항 없이 도로를 통해 운송할 수 있습니다.

타사 리튬 이온 배터리의 상업적 운송은 위험물 규정에 따릅니다. 운송 준비 및 운송 작업은 적절히 교육을 이수한 개인만 수행해야 하고 그 과정에 해당 전문가가 동행해야 합니다.

배터리 운송 시:

- 배터리 접촉면을 보호 및 차단하여 합선 위험을 방지하십시오.
- 배터리 팩이 포장 내에서 움직이지 않도록 고정하십시오.
- 균열 또는 누출이 있는 배터리는 운송하지 마십시오.
- 추가 지침은 운송 회사에 확인하십시오.

운송 및 보관

한 위치에서 다른 위치로 제품을 이동할 때는 항상 제품 스위치를 차단하십시오. 트리거에 손가락을 대고 제품을 옮기지 마세요. 우발적으로 시동되면 심각한 부상을 입을 수 있습니다.

배터리 팩을 탈거하고 식힌 후에 보관하거나 운송하십시오.

우발적으로 시동되지 않도록 전면 손잡이를 잡고 제품을 운반하십시오. 제품을 올바르게 취급하면 부상을 방지할 수 있습니다.

차량으로 운송하려면 제품이 움직이거나 떨어지지 않도록 잘 고정하여 사람이 다치거나 제품이 손상되지 않도록 조치하십시오. 제품에 묻은 모든 이물질은 제거하십시오. 어린이의 손이 닿지 않고, 서늘하고 건조하고 통풍이 잘되는 곳에 제품을 보관하십시오. 제품을 조정용 화학 물질이나 제빙염과 같은 부식성 물질에서 떨어진 곳에 보관하십시오. 제품을 실외에 보관하지 마십시오. 제품을 침수시키거나 호스로 분무하지 마십시오. 고압 세척기로 제품을 청소하지 마십시오. 기기에 물이 들어가면 감전 위험에 노출될 수 있습니다. 제품은 실내에 보관하십시오. 비료나 화학약품 위나 근처에 제품을 보관하지 마십시오.

청소

제품의 환기 슬롯을 항상 비워 두어야 합니다.

유지 관리

너트, 볼트 및 나사를 모두 조여 제품이 안전한 작동 조건에 있는지 확인합니다.

제품을 조사하고 안전을 위해 마모되거나 손상된 부품은 교체하십시오.

본 장비를 수리하려면 세심한 주의와 전문 지식이 필요하므로, 자격을 갖춘 서비스 기술자에게 맡겨야 합니다. 따라서 가까운 공인 서비스 센터로 제품을 보내거나 직접 맡겨 수리를 받으십시오. 수리 시에는 동일한 교체용 부품만 사용하십시오.

유지 관리 또는 청소 작업을 하려면 먼저 제품을 끄고 배터리 팩을 분리하십시오.

이 설명서에 설명된 대로 조정 및 수리를 할 수 있습니다. 다른 수리 작업을 하려면 공인 서비스 대리점에 문의하십시오.

매번 사용한 후에는 부드럽고 마른 천으로 제품을 청소하십시오. 손상된 부품이 있으면 공인 서비스 센터에서 적절한 수리 또는 교체 서비스를 받아야 합니다.

제품을 안전한 작동 조건에서 사용할 수 있도록 모든 너트, 볼트 및 나사가 잘 조여져 있는지 자주 점검하십시오.

MILWAUKEE 액세서리와 MILWAUKEE 부속품만 사용하십시오. 언급하지 않은 구성 부품을 교체해야 하는 경우 MILWAUKEE 서비스 센터 중 한 곳에 문의하십시오(보증 또는 서비스 주소 목록 참조).

필요할 경우, 제품의 확대 이미지를 주문할 수 있습니다. 라벨에 제공되어 있는 제품 유형과 일련 번호를 알려주고 현지 서비스 대리점에서 도면을 주문하십시오.

기호



제품을 사용할 시작하기 전에 지침을 주의하여 읽으십시오.



주의! 경고! 위험!



제품에서 특정한 작업을 시작하기 전에 배터리 팩을 분리하십시오.



장갑을 착용하십시오!



귀마개를 착용하십시오.



제품을 사용할 때 항상 보안경을 착용하십시오.



안전화를 착용합니다.



긴 바지를 입으십시오.



제품을 조작하는 동안 양손을 사용하십시오.



재료가 튀거나 떨어질 위험이 있는 위험한 곳에 아무도 없어야 합니다.



손을 공기 흡입구 가까이 두면 다칠 수 있습니다.



긴 모발이 공기 흡입구 가까이 가면 다칠 수 있습니다.



공기 흡입구로 유입될 수 있는 헐거운 옷이나 정신구를 착용하지 마십시오.



재료가 튀거나 떨어질 위험이 있는 위험한 곳에 아무도 없어야 합니다.



공구를 비에 노출시키지 마십시오.



보증 음향 파워 레벨



부속품 - 표준 장비에 포함되어 있지 않음, 부속품으로 사용 가능

n_0

무부하 속도

V

전압



직류

폐 배터리, 폐 전기 및 전자 장비를 분류되지 않은 가정용 폐기물로 처리하지 마십시오. 폐 배터리와 폐 전기 및 전자 장비는 별도로 수거해야 합니다. 폐 배터리, 폐기물 어쿠뮬레이터 및 광원은 장비에서 제거해야 합니다. 재활용 조연 및 수거 지점은 해당 지자체나 소매점에 문의하십시오. 현지 규정에 따라 소매업체는 폐 배터리와 폐 전기 및 전자 장비를 무상으로 회수할 의무가 있을 수 있습니다. 폐 배터리와 폐 전기 및 전자 장비를 재사용하고 재활용하면 원자재 수요를 줄이는 데 도움이 됩니다. 특히 리튬이 포함된 폐 배터리와 폐 전기 및 전자 장비에는 가치 있고 재활용 가능한 재료가 포함되어 있어 환경 친화적인 방식으로 폐기하지 않으면 환경과 인간의 건강에 악영향을 끼칠 수 있습니다. 해당하는 경우, 폐 장비에서 개인 데이터를 삭제합니다.

ข้อมูลทางเทคนิค	M18 FOPH-BA
ประเภทผลิตภัณฑ์	เครื่องเป่าทำสวนไร้สาย
แรงดันไฟแบตเตอรี่	18 V ---
ความเร็วเมื่อไม่มีโหลด	0-6640/8680 min ⁻¹
ความเร็วลม	0-193 km/h
อัตราการไหลของอากาศ	0-14.2 m ³ /min
น้ำหนักตามขั้นตอนของ EPTA 01/2014 (2.0 - 12.0 Ah)	5.38 กก. - 6.44 กก.
น้ำหนัก (ตัวเครื่องอย่างเดียว)	1.98 กก.
น้ำหนักแบตเตอรี่ (M18B2 - M18HB12)	0.43 กก. - 1.49 กก.
อุณหภูมิในการทำงานที่แนะนำ	-18 – +50 °C
แบตเตอรี่แนะนำ	M18B..., M18 HB..., M18 FB...
แท่นชาร์จที่แนะนำ	M12-18..., M18 DFC, M18 PC6

ข้อมูลเกี่ยวกับเสียงรบกวน

ค่าการปล่อยเสียงรบกวนที่กำหนดตาม EN 50636-2-100 ภาคผนวก CC

ระดับแรงดันของเสียงที่ถ่วงน้ำหนัก A	74.2 dB (A)
ค่า K แปรผัน	3 dB (A)
ระดับกำลังของเสียงที่ถ่วงน้ำหนัก A	94.2 dB (A)
ค่า K แปรผัน	3 dB (A)

ใส่อุปกรณ์ป้องกันดวงตาระหว่างใช้งาน

ข้อมูลเกี่ยวกับการสั่น

ค่าการสั่นสะเทือนรวม (ผลรวมเวกเตอร์ในสามแกน) ที่กำหนดตาม EN 50636-2-100 ภาคผนวก BB

ค่าการปล่อยการสั่นสะเทือน a_{hv} / ค่า K แปรผัน

มือจับด้านหน้าควบคุมการสั่น	0.92 m/s ² / 1.5 m/s ²
มือจับด้านหลังควบคุมการสั่น	0.91 m/s ² / 1.5 m/s ²

⚠ คำเตือน!

ค่าการสั่นสะเทือนรวมที่ระบุและค่าระดับเสียงรบกวนที่ระบุในเอกสารคู่มือการใช้งานฉบับนี้ได้รับการวัดผลตามการทดสอบที่เป็นไปตามมาตรฐานและอาจนำไปใช้เพื่อเปรียบเทียบเครื่องมืออื่น สามารถใช้สำหรับการประเมินความเสี่ยงในเบื้องต้น

ค่าการสั่นสะเทือนและการเสียงรบกวนที่ระบุเป็นข้อมูลสำหรับการใช้งานหลักของเครื่องมือ อย่างไรก็ตาม หากเครื่องมือถูกใช้งานผิดประเภท กับอุปกรณ์เสริมที่แตกต่างกัน หรือการบำรุงรักษาไม่พอ ระดับการสั่นสะเทือนและเสียงรบกวนอาจจะแตกต่างกันออกไป สภาพเหล่านี้อาจทำให้ระดับความเสี่ยงเพิ่มขึ้นอย่างมีนัยสำคัญตลอดช่วงเวลาการทำงานทั้งหมด

ควรพิจารณาประเมินระดับความเสี่ยงของการสั่นและเสียงรบกวนทุกครั้งที่เกิดเครื่องมือหรือขณะที่เครื่องกำลังเดินเบา สภาพเหล่านี้อาจทำให้ระดับความเสี่ยงลดลงอย่างมีนัยสำคัญตลอดทั้งระยะเวลาการทำงาน

ระมัดระวังการความปลอดภัยเพิ่มเติมเพื่อปกป้องผู้ปฏิบัติงานจากผลกระทบของการสั่นสะเทือนและเสียงรบกวน เช่น การบำรุงรักษาเครื่องมือและอุปกรณ์เสริม รักษามือให้อบอุ่น (ในกรณีการสั่นสะเทือน) และจัดระเบียบการทำงาน

⚠ คำเตือน! อ่านวิธีใช้ ภาพประกอบ ข้อมูลจำเพาะ และคำเตือนด้านความปลอดภัยทั้งหมดที่นำมาผลิตภัณฑ์ การไปปฏิบัติตามคำแนะนำที่แสดงอยู่ด้านล่าง อาจทำให้เกิดไฟฟ้าช็อต เพลิงไหม้ และ/หรือการบาดเจ็บรุนแรงได้ โปรดรักษาคำเตือนและคำแนะนำทั้งหมดไว้ใช้อ้างอิงในอนาคต

คำเตือนเกี่ยวกับความปลอดภัยของเครื่องเป่าไร้สาย

การฝึกอบรม

อ่านคำแนะนำอย่างละเอียด ท้าความคุ้นเคยกับการควบคุมและการใช้งานผลิตภัณฑ์อย่างเหมาะสม

โปรดฟังจดจำว่าผู้ปฏิบัติงานหรือผู้ใช้จะต้องรับผิดชอบสำหรับอุบัติเหตุหรืออันตรายที่เกิดขึ้นกับบุคคลอื่น หรือทรัพย์สินของพวกเขา

การเตรียมความพร้อม

มีอุปกรณ์ป้องกันเสียงและแว่นตานิรภัย สวมใส่อุปกรณ์ป้องกันเหล่านี้ตลอดเวลาขณะใช้งานผลิตภัณฑ์

ขณะใช้งานผลิตภัณฑ์ ควรสวมใส่รองเท้าบูตและกางเกงขายาวอยู่เสมอ อย่าใช้งานผลิตภัณฑ์ในขณะที่เท้าเปล่าหรือสวมรองเท้าแตะ หลีกเลี่ยงการสวมใส่เสื้อผ้าที่หลวมหรือมีสายห้อยหรือสายรัด

ห้ามสวมเสื้อผ้าหลวมหรือเครื่องประดับที่อาจถูกดูดเข้าไปในของลมเข้าเข้าได้ มัดเก็บผมที่ยาวให้ห่างจากช่องลมเข้า

ใช้งานผลิตภัณฑ์ในตำแหน่งที่แนะนำและบนพื้นผิวที่มั่นคงและได้ระดับเท่านั้น

ห้ามใช้งานผลิตภัณฑ์บนพื้นผิวที่ปูพื้นหรือพื้นผิวการจราจรซึ่งอาจมีวัตถุที่กระเด็นออกมาทำให้ได้รับบาดเจ็บได้

การปฏิบัติงาน

อย่าใช้ผลิตภัณฑ์ในขณะที่มีผู้คนที่โดยเฉพาะอย่างยิ่งเด็ก หรือสัตว์เลี้ยงอยู่ในบริเวณใกล้เคียง

ยืนในทิศทางที่ปลอดภัยจากพื้นที่ส่งลมออกเสมอเมื่อใช้งานผลิตภัณฑ์

หากผลิตภัณฑ์อุดตัน ให้ถอดชุดแบตเตอรี่ออกก่อนนำเศษวัสดุออก

ห้ามใช้งานผลิตภัณฑ์ที่มีอุปกรณ์ป้องกันหรือแผ่นป้องกันที่บกพร่อง หรือไม่มี

อุปกรณ์รีชาร์จ เช่น ตัวเก็บเศษวัสดุ

ปิดผลิตภัณฑ์และถอดแบตเตอรี่ออก ตรวจสอบให้แน่ใจว่าชิ้นส่วนที่เคลื่อนที่ทั้งหมดหยุดสนิทแล้ว:

- เมื่อใดก็ตามที่คุณออกไปจากผลิตภัณฑ์
- ก่อนที่จะขจัดสิ่งอุดตันหรือขจัดสิ่งอุดตันในปล่อง
- ก่อนการตรวจสอบ ท้าความสะอาด หรือดำเนินการกับผลิตภัณฑ์

ห้ามใช้ผลิตภัณฑ์ในการดูด

ห้ามใช้เป่าวัสดุที่ร้อน ติดไฟได้ หรือระเบิดได้

ใช้ผลิตภัณฑ์ในเวลากลางวันหรือมีแสงสว่างที่ดีเท่านั้น

ตรวจสอบว่าเท้าของคุณอยู่บนเนินเสมอ

ห้ามใช้ผลิตภัณฑ์เข้าไปในทิศทางที่มีคนอยู่ใกล้เสียง ห้ามใช้งานผลิตภัณฑ์โดยไม่ได้ติดตั้งท่อ

เดิน ห้ามวิ่ง

รักษาให้ช่องอากาศเข้าระบายความร้อนทั้งหมดปราศจากสิ่งสกปรก

โปรดระมัดระวังไม่ให้บุคคลที่อยู่ใกล้เสียงได้รับบาดเจ็บจากวัตถุแปลกปลอมที่กระเด็นจากผลิตภัณฑ์

ห้ามใช้ผลิตภัณฑ์ในการดูดของเหลว

อย่าเอื้อมมือเกินไปและรักษาความสมดุลของคุณตลอดเวลา

อย่าใช้ผลิตภัณฑ์ที่กลางสายฝนหรือที่ไว้ข้างนอกภายใต้สายฝน

หากทำผลิตภัณฑ์ที่หล่น เกิดการกระแทกหรืออย่างรุนแรง หรือเริ่มสั่นผิดปกติ โปรดปิดเครื่องทันทีและตรวจสอบความเสียหายหรือตรวจหาสาเหตุของการสั่นสะเทือนดังกล่าว หากมีส่วนใดๆ ที่ได้รับความเสียหาย ควรนำไปส่งให้ ศูนย์บริการ ที่ได้รับอนุญาต ดำเนินการซ่อมแซมหรือเปลี่ยน

การบำรุงรักษาและจัดเก็บ

เมื่อปิดผลิตภัณฑ์เพื่อทำการซ่อมบำรุง ตรวจสอบ หรือจัดเก็บ หรือเพื่อเปลี่ยนอุปกรณ์เสริม ให้ถอดแบตเตอรี่ออกและตรวจสอบให้แน่ใจว่าชิ้นส่วนที่เคลื่อนที่ทั้งหมดหยุดสนิทแล้ว ปล่อยให้ผลิตภัณฑ์เย็นลงก่อนทำการตรวจสอบ ปรับผลิตภัณฑ์ ฯลฯ ดูแลรักษาผลิตภัณฑ์ด้วยความระมัดระวังและรักษาให้สะอาด

เก็บผลิตภัณฑ์ไว้ในที่แห้งและห่างจากมือเด็ก

ปล่อยให้ผลิตภัณฑ์เย็นลงก่อนจัดเก็บเสมอ

ห้ามตัดแปลงผลิตภัณฑ์ การตัดแปลงโดยไม่ได้รับอนุญาตอาจทำให้ความปลอดภัยของผลิตภัณฑ์ของคุณลดลงและอาจส่งผลให้เกิดเสียงรบกวนและการสั่นสะเทือนมากขึ้น

ตรวจสอบว่าน็อต โบลท์ และสกรูทุกชิ้นยึดแน่นอยู่เสมอ เพื่อให้แน่ใจว่าผลิตภัณฑ์อยู่ในสภาพที่สามารถทำงานได้อย่างปลอดภัย

ตรวจสอบผลิตภัณฑ์และเปลี่ยนชิ้นส่วนที่สึกหรอหรือชำรุดเสียหายเพื่อให้มีความปลอดภัย

เปลี่ยนชิ้นส่วนที่สึกหรอหรือเสียหายเพื่อความปลอดภัย ใช้เฉพาะชิ้นส่วนอะไหล่และอุปกรณ์เสริมของเท่านั้น

ห้ามพยายามยกผลิตภัณฑ์ขึ้นหรือถอดแบตเตอรี่ออกของอุปกรณ์ป้องกัน

คำแนะนำเพื่อความปลอดภัยเพิ่มเติม

ห้ามไม่ให้บุคคลเหล่านี้ใช้งานผลิตภัณฑ์ ได้แก่ เด็ก ผู้ที่มีสภาพร่างกาย ประสาทสัมผัส หรือสภาพจิตใจไม่สมบูรณ์ หรือขาดประสบการณ์และความรู้ความเข้าใจ หรือผู้ที่ไม่คุ้นเคยกับคำแนะนำเหล่านี้ กฎระเบียบในท้องถิ่นอาจจำกัดอายุของผู้ใช้งาน เด็กควรได้รับการดูแลเพื่อไม่ให้มีนิ้วจุกเข้าไปในปล่องผลิตภัณฑ์

คำแนะนำเกี่ยวกับความปลอดภัยสำหรับแบตเตอรี่

อย่าทิ้งแพ็คแบตเตอรี่ที่เลิกใช้แล้วรวมกับขยะในครัวเรือนหรือทิ้งลงในกองไฟ ผู้แทนจำหน่ายของ MILWAUKEE มีข้อเสนอในการจัดการแบตเตอรี่เก่าเพื่อปกป้องสภาพแวดล้อมของเรา

ห้ามเก็บแพ็คแบตเตอรี่ร่วมกับวัตถุที่เป็นโลหะ (เสี่ยงต่อการลัดวงจร)

ชาร์จชุดแบตเตอรี่ System M18 ด้วยตัวชาร์จสำหรับ System M18 เท่านั้น อย่าใช้แบตเตอรี่จากระบบอื่น ๆ

ห้ามหย่อนท้ายแบตเตอรี่และเครื่องชาร์จและเก็บไว้ในห้องที่แห้งเท่านั้น เก็บก้อนแบตเตอรี่และอุปกรณ์ชาร์จในที่แห้งตลอดเวลา

กรดแบตเตอรี่อาจรั่วซึมจากแบตเตอรี่ที่เสียหายภายใต้อุณหภูมิสูงหรือการใช้งานที่หนักมากเกินไป หากสัมผัสกับกรดแบตเตอรี่ ให้ล้างออกทันทีด้วยน้ำสบู่ หากกรดแบตเตอรี่เข้าตา ล้างตาให้ทั่วด้วยน้ำอย่างน้อย 10 นาทีและไปพบแพทย์ทันที

ห้ามไม่ให้มีชิ้นส่วนที่เป็นโลหะในส่วนของแบตเตอรี่ของตัวชาร์จ (เสี่ยงลัดวงจร)

คำเตือนเพิ่มเติมเกี่ยวกับความปลอดภัยของแบตเตอรี่

คำเตือน! วิสลดความเสี่ยงในการเกิดไฟไหม้ การบาดเจ็บส่วนบุคคล และความเสี่ยงหายต่อผลิตภัณฑ์ จากการลัดวงจร อย่างรุนแรงหรือ แบตเตอรี่ หรือเครื่องชาร์จ ไฟลิ่งในช่องเหลวหรือปล่องที่ของเหลวซึมเข้าสู่ภายใน ช่องเหล่านี้มีฤทธิ์กัดกร่อนหรือนำไฟฟ้าอาจก่อให้เกิดการลัดวงจรได้ เช่น น้ำทะเล สารเคมีทางอุตสาหกรรมบางชนิด และผลิตภัณฑ์ที่ออกฤทธิ์มีส่วนผสมการฟอกสี เป็นต้น

เงื่อนไขเฉพาะในการใช้งาน

ผลิตภัณฑ์นี้ออกแบบมาสำหรับการเป่าสิ่งสกปรกและไปไม่

ห้ามใช้ผลิตภัณฑ์เพื่อวัตถุประสงค์อื่นนอกเหนือจากที่ระบุ

แบตเตอรี่

การชาร์จแบตเตอรี่ที่ไม่ได้ใช้งานเป็นระยะเวลาหนึ่งก่อนที่จะใช้งาน

ประสิทธิภาพของชุดแบตเตอรี่จะลดลงหากอุณหภูมิสูงกว่า 50 °C หลีกเลี่ยงไม่ให้ถูกแสงแดดหรือความร้อนเป็นเวลานาน (เสี่ยงต่อความร้อนเกิน)

ต้องหมั่นดูแลความสะอาดหน้าสัมผัสตัวชาร์จกับชุดแบตเตอรี่

เพื่อยืดอายุการใช้งาน การชาร์จแบตเตอรี่ให้เต็มหลังการใช้งาน

เพื่อรักษาอายุแบตเตอรี่ให้นานที่สุด ให้ถอดชุดแบตเตอรี่ออกจากตัวชาร์จเมื่อชาร์จไฟเต็ม

สำหรับชุดแบตเตอรี่ที่ต้องการเก็บไว้นานกว่า 30 วัน:

- เก็บชุดแบตเตอรี่ไว้ที่อุณหภูมิต่ำกว่า 27 °C และหลีกเลี่ยงความชื้น
- เก็บชุดแบตเตอรี่ไว้ที่ประจุ 30% - 50%
- ให้ชาร์จแบตเตอรี่ตามปกติทุกๆ หกเดือนของการจัดเก็บ

การป้องกันชุดแบตเตอรี่

ในสถานการณ์ที่เกิดระเบิดสูง ติดขัด สะดุด และเกิดการลัดวงจรเนื่องจากมีกระแสย้อนกลับสูง เครื่องมือจะสั่นเป็นเวลา 5 วินาที และแกจแบตเตอรี่จะกะพริบ แล้วเครื่องมือจะดับลง การรีเซ็ต ไฟเปิดและเปิดเครื่องใหม่

ภายใต้สถานการณ์รุนแรง อุณหภูมิภายในของแบตเตอรี่อาจสูงขึ้นไปได้ ถ้าเกิดกรณีดังกล่าว มาตรการพลังงานจะตัดกะพริบจนกว่าแบตเตอรี่จะเย็นลง ให้ทำงานต่อหลังจากที่ไฟดับแล้ว

การเคลื่อนย้ายแบตเตอรี่ลิเทียม

แบตเตอรี่ลิเทียมมีอยู่ภายใต้ข้อกำหนดตามกฎหมายของสินค้าอันตราย

การขนส่งแบตเตอรี่เหล่านี้ต้องกระทำตามกฎระเบียบและข้อบังคับของท้องถิ่น ของประเทศ และระหว่างประเทศ

สามารถขนส่งแบตเตอรี่ทางถนนได้โดยไม่ต้องมีข้อกำหนดเพิ่มเติม

การขนส่งแบตเตอรี่ลิเทียมโดยผู้ให้บริการภายนอกจะต้องจัดการตามกฎระเบียบสินค้าอันตราย การเตรียมการขนส่งและการขนส่งต้องดำเนินการโดยบุคลากรที่ผ่านการฝึกอบรมมาแล้วเท่านั้น และในระหว่างดำเนินการต้องมีผู้เชี่ยวชาญที่เกี่ยวข้องคอยกำกับดูแล

เมื่อขนย้ายแบตเตอรี่:

- โปรดตรวจดูให้แน่ใจว่าขั้วสัมผัสของแบตเตอรี่ได้รับการปกป้องและติดตั้งฉนวนเพื่อป้องกันการลัดวงจร
- ตรวจสอบให้แน่ใจว่าก้อนแบตเตอรี่ได้รับการปกป้องอย่างเหมาะสมอยู่ในบรรจุภัณฑ์
- ห้ามเคลื่อนย้ายแบตเตอรี่ที่แตกหรือรั่ว
- โปรดสอบถามบริษัทขนส่งหากท่านต้องการคำแนะนำเพิ่มเติม

การขนย้ายและการจัดเก็บ

ปิดเครื่องทุกครั้งขณะที่ย้ายจากสถานที่หนึ่งไปยังอีกที่หนึ่ง อย่าถือผลิตภัณฑ์โดยวางนิ้วมืออยู่ที่ใด เนื่องจากกาเปิดใช้งานโดยไม่ได้ตั้งใจทำให้บาดเจ็บสาหัสได้

ถอดแพ็คแบตเตอรี่ออก และปล่อยให้เย็นก่อนจัดเก็บหรือขนย้ายผลิตภัณฑ์

ถือผลิตภัณฑ์โดยจับที่มือจับด้านบนน้ำมือป้องกันการเปิดใช้งานโดยไม่ได้ตั้งใจ การถือผลิตภัณฑ์อย่างถูกต้องจะช่วยป้องกันการบาดเจ็บได้

หากต้องการช่วยโดยยานพาหนะ ให้ยึดผลิตภัณฑ์ไว้โดยอย่าให้สามารถขยับหรือตกหล่นได้ เพื่อป้องกันไม่ให้มีผู้ได้รับบาดเจ็บหรือผลิตภัณฑ์เสียหาย

จัดวัตถุแปลกปลอมทั้งหมดออกจากผลิตภัณฑ์ จัดเก็บไว้ในที่แห้งและเย็น และสามารถระบายอากาศได้ดี ซึ่งเด็กๆ ไม่สามารถเข้าถึงได้ เก็บให้ห่างจากสารที่มีฤทธิ์กัดกร่อน เช่น สารเคมีในการทาสานและเกลือละลายน้ำแข็ง อย่าจัดเก็บผลิตภัณฑ์ไว้กลางแจ้ง

ห้ามนำผลิตภัณฑ์ไปแช่ในน้ำหรือใส่สายยางฉีดน้ำใส่ ห้ามทำความสะอาดผลิตภัณฑ์ด้วยเครื่องทำความสะอาดที่ใช้แรงดัน หากมีน้ำซึมเข้าไปในตัวอุปกรณ์ อาจเพิ่มความเสี่ยงต่อการถูกไฟช็อตได้ เก็บผลิตภัณฑ์ไว้ในร่ม

ห้ามเก็บผลิตภัณฑ์ไว้ใกล้สับหรือสารเคมี

การทำความสะอาด

รักษาความสะอาดของระบายอากาศของผลิตภัณฑ์ให้ปราศจากสิ่งสกปรกอยู่ตลอดเวลา

การบำรุงรักษา

ตรวจสอบว่านิอต โบลท์ และสกรูทุกอันยึดแน่นอยู่เสมอ เพื่อให้แน่ใจว่าผลิตภัณฑ์อยู่ในสภาพที่สามารถทำงานได้อย่างปลอดภัย

ตรวจสอบผลิตภัณฑ์และเปลี่ยนชิ้นส่วนที่สึกหรอหรือชำรุดเสียหายเพื่อให้มีความปลอดภัย

การซ่อมบำรุงจะต้องทำด้วยความระมัดระวังเป็นพิเศษและต้องการความรู้เฉพาะด้าน โดยเฉพาะเจ้าหน้าที่เทคนิคซ่อมบำรุงที่ผ่านการฝึกอบรมเป็นผู้ดำเนินการ สำหรับการซ่อมบำรุง เราขอแนะนำให้คุณส่งผลิตภัณฑ์ไปยังศูนย์บริการของท่าน เจ้าหน้าที่ได้รับอนุญาตกลับบ้าน ในระหว่างการซ่อมบำรุง ให้ใช้เฉพาะชิ้นส่วนอะไหล่ที่เหมือนกันเท่านั้น

ดับเครื่องของอุปกรณ์และถอดชุดแบตเตอรี่ออกก่อนดำเนินการบำรุงรักษาหรือทำความสะอาดใดๆ

คุณสามารถดำเนินการปรับเปลี่ยนหรือซ่อมแซมตามระบุไว้ในคู่มือนี้เท่านั้น สำหรับการซ่อมแซมอื่นๆ โปรดติดต่อตัวแทนบริการที่ได้รับอนุญาต

หลังการใช้งานแต่ละครั้ง ให้ทำความสะอาดผลิตภัณฑ์ด้วยผ้าแห้งที่อ่อนนุ่ม หากมีส่วนใดๆ ที่ได้รับความเสียหาย ควรนำไปส่งให้ ศูนย์บริการ ที่ได้รับอนุญาต ดำเนินการซ่อมแซมหรือเปลี่ยน

ตรวจสอบเป็นประจำว่าได้ใช้นิอต สลัก และสกรูทั้งหมดในระดับความแน่นที่เหมาะสม เพื่อให้แน่ใจว่าผลิตภัณฑ์จะอยู่ในสภาพที่สามารถทำงานได้อย่างปลอดภัย

ใช้เฉพาะอุปกรณ์เสริม MILWAUKEE และอะไหล่ของ MILWAUKEE เท่านั้น หากจำเป็นต้องเปลี่ยนส่วนประกอบที่ไม่ได้อธิบายไว้ ให้ติดต่อศูนย์บริการของ MILWAUKEE (ดูที่รายการการรับประกัน/ที่อยู่ของศูนย์บริการของเรา)

สามารถส่งภาพขยายของผลิตภัณฑ์ได้ หากต้องการ โปรดระบุประเภทผลิตภัณฑ์ที่พิมพ์พร้อมหมายเลขซีเรียลบนฉลาก และส่งชื่อแบบพิมพ์เขียวที่ตัวแทนบริการภายในท้องถิ่นของคุณ

สัญลักษณ์



อ่านคำแนะนำการใช้งานอย่างละเอียดก่อนใช้ผลิตภัณฑ์



ข้อควรระวัง! สำคัญ! อันตราย!



ถอดชุดแบตเตอรี่ออกก่อนที่จะเริ่มทำงานใดๆ กับผลิตภัณฑ์



สวมถุงมือ



สวมอุปกรณ์ป้องกันหู



สวมแว่นตานิรภัยทุกครั้งที่ใช้ผลิตภัณฑ์นี้



สวมรองเท้านิรภัย



สวมกางเกงขากว้างเสมอ



ใช้มือทั้งสองข้างในขณะที่ใช้งานผลิตภัณฑ์



ตรวจให้แน่ใจว่าไม่มีบุคคลโดยอยู่ในบริเวณพื้นที่ความเสี่ยงของเครื่องมือถูกตัดออกหรือผลิตภัณฑ์หล่นจากที่สูง



การไม่เก็บมือให้ห่างจากช่องอากาศเข้าอาจส่งผลให้เกิดการบาดเจ็บได้



การไม่มัดเก็บผมที่ยาวให้ห่างจากช่องอากาศเข้าอาจส่งผลให้เกิดการบาดเจ็บได้



ห้ามสวมเสื้อผ้าหลวมหรือเครื่องประดับที่อาจถูกดูดเข้าไปในช่องลมขาเข้าได้



ตรวจให้แน่ใจว่าไม่มีบุคคลโดยอยู่ในบริเวณพื้นที่ความเสี่ยงของเครื่องมือถูกตัดออกหรือผลิตภัณฑ์หล่นจากที่สูง



ห้ามให้เครื่องมือเปียกฝน



ระดับกำลังเสียงที่รับรอง



อุปกรณ์เสริม - ไม่รวมอยู่ในอุปกรณ์มาตรฐาน จำหน่ายเป็นอุปกรณ์เสริม

n_0

ความเร็วเมื่อไม่มีโหลด

V

แรงดันไฟฟ้า



กรงเสถียร



อย่าทิ้งแบตเตอรี่ใช้แล้ว ชะยะอุปกรณ์ไฟฟ้าและอิเล็กทรอนิกส์ร่วมกับขยะในครุภัณฑ์โดยไม่ได้ออกประเภท ให้ทิ้งแบตเตอรี่ใช้แล้ว ชะยะอุปกรณ์ไฟฟ้าและอิเล็กทรอนิกส์ต่างหาก หลังยกเลิกใช้งานอุปกรณ์ จะต้องถอดแยกแบตเตอรี่ใช้แล้ว ตัวสะสมพลังงานที่ใช้แล้ว และแหล่งกำเนิดแสงที่ใช้แล้วออกมาจากตัวเครื่อง ตรวจสอบกับหน่วยงานควบคุมในท้องถิ่นของคุณหรือร้านค้าปลีกสำหรับคำแนะนำในการรีไซเคิลและจัดทิ้งขยะประเภทนี้ ภายใต้กฎระเบียบในท้องถิ่น ร้านค้าอาจมีข้อมูลในการรวบรวมขยะแบตเตอรี่ใช้แล้วและชะยะอุปกรณ์ไฟฟ้าและอิเล็กทรอนิกส์กลับมาโดยไม่มีค่าใช้จ่ายเพิ่มเติม การนำมาใช้ใหม่และการรีไซเคิลของแบตเตอรี่ใช้แล้ว ชะยะอุปกรณ์ไฟฟ้าและอิเล็กทรอนิกส์จะช่วยให้ลดการใช้วัตถุดิบใหม่ซึ่งช่วยอนุรักษ์ทรัพยากรได้ แบตเตอรี่ใช้แล้วโดยเฉพาะที่มีสารลิเทียม และชะยะอุปกรณ์ไฟฟ้าและอิเล็กทรอนิกส์ที่มีวัสดุรีไซเคิลได้ที่มีความสามารถลดผลกระทบต่อสิ่งแวดล้อมและสุขภาพของคน ควรกำจัดทิ้งในลักษณะที่ปฏิบัติตามสิ่งแวดล้อม หากมีข้อมูลคลุมเคลืออุปกรณ์ ควรบอกพื้นที่เลิกใช้งาน

DATA TEKNIS**M18 FOPH-BA**

Tipe	Blower kebun tanpa kabel
Tegangan baterai	18 V ---
Kecepatan tanpa beban	0–6640/8680 min ⁻¹
Kecepatan udara	0–193 km/h
Tingkat aliran udara	0–14,2 m ³ /min
Bobot sesuai dengan prosedur EPTA 01/2014 (2,0 Ah - 12,0 Ah)	5,38 kg – 6,44 kg
Berat (hanya produk)	1,98 kg
Berat baterai (M18B2 - M18HB12)	0,43 kg – 1,49 kg
Suhu pengoperasian sekitar yang direkomendasikan	-18 – +50 °C
Paket baterai yang direkomendasikan	M18B..., M18 HB..., M18 FB...
Pengisi daya yang direkomendasikan	M12-18..., M18 DFC, M18 PC6

Informasi kebisingan

Nilai emisi derau ditentukan sesuai EN 50636-2-100 Annex CC

Tingkat tekanan suara tertimbang A	74,2 dB (A)
K ketidakpastian	3 dB (A)
Tingkat daya suara tertimbang A	94,2 dB (A)
K ketidakpastian	3 dB (A)

Selalu gunakan pelindung mata.

Informasi vibrasi

Jumlah nilai getaran (jumlah vektor dalam tiga paksi) ditentukan sesuai EN 50636-2-100 Annex BB

Nilai a_{h} emisi getaran / K ketidakpastian

Vibrasi tuas depan	0,92 m/s ² / 1,5 m/s ²
Vibrasi tuas belakang	0,91 m/s ² / 1,5 m/s ²

⚠ PERINGATAN!

Tingkat getaran total yang dinyatakan dan tingkat emisi derau yang dinyatakan dalam lembar informasi ini telah diukur sesuai dengan uji standar dan dapat digunakan untuk membandingkan satu alat dengan alat lainnya. Dapat digunakan untuk penilaian awal keterpaparan.

Tingkat getaran dan emisi derau yang dinyatakan menggambarkan aplikasi utama alat ini. Namun jika alat ini digunakan untuk aplikasi yang berbeda, dengan aksesoris yang berbeda atau tidak dirawat dengan baik, getaran dan emisi kebisingan yang timbul mungkin berbeda. Kondisi ini dapat meningkatkan tingkat paparan secara signifikan sepanjang periode kerja keseluruhan.

Perkiraan tingkat paparan terhadap getaran dan derau juga harus memperhitungkan saat-saat ketika alat dimatikan atau ketika produk sedang dinyalakan tetapi tidak digunakan. Kondisi ini dapat menurunkan tingkat paparan secara signifikan selama periode kerja total.

Identifikasi langkah-langkah keselamatan tambahan untuk melindungi operator dari efek getaran dan derau, seperti merawat peralatan dan aksesoris, menjaga tangan tetap hangat (terkait getaran), dan mengatur pola kerja.

⚠ PERINGATAN! Baca semua peringatan keselamatan, petunjuk, ilustrasi, dan spesifikasi yang disertakan bersama produk. Tidak dipatuhinya semua petunjuk di bawah ini, dapat berakibat sengatan listrik, kebakaran, dan/atau cedera parah.

Simpan semua peringatan dan instruksi untuk referensi di masa mendatang.

PERINGATAN KESELAMATAN BLOWER TANPA KABEL**LATIHAN**

Bacalah petunjuk dengan teliti. Harap pahami kontrol dan penggunaan produk ini secara benar.

Ingatlah bahwa operator atau pengguna bertanggung jawab atas kecelakaan atau bahaya yang terjadi pada orang lain atau properti mereka.

PERSIAPAN

Siapkan pelindung telinga dan kacamata pelindung. Selalu gunakan

keduanya selama mengoperasikan produk ini.

Saat menggunakan produk ini, selalu kenakan alas kaki yang tebal dan celana panjang. Jangan mengoperasikan produk saat bertelanjang kaki atau mengenakan sandal terbuka. Hindari memakai pakaian yang longgar atau memiliki tali atau ikatan gantung.

Jangan gunakan pakaian atau perhiasan longgar yang dapat tertarik masuk ke dalam saluran masuk udara. Jauhkan rambut panjang dari saluran masuk udara.

Operasikan produk dalam posisi yang direkomendasikan dan hanya pada permukaan yang keras dan rata.

Jangan mengoperasikan produk di atas permukaan yang diperkeras atau berkerikil karena material yang terlontar dapat menyebabkan cedera.

PENGOPERASIAN

Jangan pernah mengoperasikan produk ini saat ada orang, terutama anak-anak, atau hewan peliharaan di dekat Anda.

Selalu berdiri jauh dari zona pembuangan saat mengoperasikan produk.

Jika produk tersumbat, lepaskan unit baterai sebelum membersihkan kotoran.

Jangan pernah mengoperasikan produk dengan pelindung atau perisai yang cacat, atau tanpa alat pengaman, misalnya pengumpul puing pada tempatnya.

Matikan produk dan lepaskan unit baterai. Pastikan semua bagian yang bergerak telah berhenti dengan sempurna:

- ketika Anda meninggalkan produk ini
- sebelum membersihkan sumbatan atau saluran
- sebelum memeriksa, membersihkan, atau mengerjakan apa pun pada mesin

Jangan gunakan produk untuk menghisap.

Jangan menghembus material yang panas, mudah terbakar, atau mudah meledak.

Hanya gunakan produk di siang hari atau dengan pencahayaan buatan yang baik.

Selalu pastikan Anda berpijak di tempat landai.

Jangan mengarahkan produk ke arah orang yang berada di sekitar. Jangan mengoperasikan produk tanpa pipa terpasang pada tempatnya.

Berjalan, jangan pernah berlari.

Jaga kebersihan semua saluran udara pendingin dari kotoran.

Perhatikan bahwa orang yang berada di sekitar tidak terluka karena benda asing yang terlempar dari produk.

Jangan gunakan produk untuk menghisap cairan.

Jangan menjangkau terlalu jauh selalu jaga keseimbangan Anda.

Jangan gunakan produk di bawah hujan atau meninggalkan produk di luar ruangan saat hujan.

Jika produk terjatuh, mengalami kerusakan berat, atau mulai bergetar secara tidak normal, segera matikan produk dan periksa kerusakan atau identifikasi penyebab getaran. Bagian manapun yang rusak atau aus harus diperbaiki sebagaimana mestinya atau diganti oleh pusat layanan resmi.

PERAWATAN DAN PENYIMPANAN

Jika produk dimatikan untuk diservis, diperiksa, atau disimpan, atau untuk mengganti aksesoris, keluarkan unit baterai dan pastikan semua bagian yang bergerak telah berhenti dengan sempurna. Biarkan produk mendingin sebelum melakukan inspeksi, penyesuaian, dll. Rawat produk dengan hati-hati dan jaga kebersihannya.

Simpan produk di tempat yang kering dan jauh dari jangkauan anak-anak.

Selalu biarkan produk mendingin sebelum disimpan.

Jangan memodifikasi produk ini. Modifikasi yang tidak resmi dapat mengurangi faktor keselamatan produk Anda dan menambah tingkat kebisingan dan getaran.

Jaga semua mur, baut, dan sekrup tetap kencang untuk memastikan produk dalam kondisi kerja yang aman.

Periksa produk dan ganti bagian yang aus atau rusak untuk keamanan.

Ganti bagian yang aus atau rusak untuk keamanan. Hanya gunakan suku cadang dan aksesoris asli.

Jangan pernah mencoba mengesampingkan fitur pengaman yang saling kunci.

PERINGATAN KESELAMATAN TAMBAHAN

Jangan biarkan anak-anak, orang dengan kemampuan fisik, respons, atau mental yang kurang atau kurang pengalaman dan pengetahuan, atau orang yang tidak mengetahui informasi dalam petunjuk ini terkait penggunaan produk. Peraturan lokal mungkin membatasi usia operator.

Anak-anak harus diawasi untuk memastikan mereka tidak bermain dengan produk ini.

Keluarkan baterai sebelum memulai pekerjaan apa pun pada produk.

PETUNJUK KESELAMATAN BATERAI

Jangan membuang baterai bekas di tempat sampah rumah tangga dan jangan membakarnya. Distributor MILWAUKEE menawarkan untuk mengambil baterai lama guna melindungi lingkungan kita.

Jangan simpan baterai bersama benda logam (risiko hubung singkat).

Hanya gunakan pengisi daya System M18 untuk mengisi daya paket baterai System M18. Jangan menggunakan unit baterai dari sistem lain.

Jangan sekali-kali membuka unit baterai dan pengisi daya serta hanya simpan di tempat kering. Jaga kemasan baterai dan pengisi daya tetap kering di sepanjang waktu.

Asam baterai dapat merembes dari baterai yang rusak akibat beban atau suhu yang ekstrem. Jika asam baterai mengenai anda, segera cuci dengan sabun dan air. Jika mengenai mata, bilas sebanyak-banyaknya selama setidaknya 10 menit dan segera dapatkan penanganan medis.

Tidak ada komponen logam yang diperbolehkan memasuki kompartemen baterai pada pengisi daya (risiko arus pendek).

PERINGATAN KESELAMATAN BATERAI TAMBAHAN

⚠ PERINGATAN! Untuk mengurangi risiko kebakaran, cedera pribadi, dan kerusakan produk akibat hubungan arus pendek, jangan pernah merendam alat, baterai atau charger anda dalam cairan atau membiarkan cairan mengalir di dalamnya. Cairan korosif atau konduktif, seperti air laut, bahan kimia industri tertentu, dan produk pemutih atau yang mengandung pemutih, dan sebagainya, dapat menyebabkan hubungan arus pendek.

KONDISI PENGGUNAAN KHUSUS

Produk ini dimaksudkan untuk meniup kotoran dan daun.

Jangan menggunakan produk untuk tujuan lain.

BATERAI

Unit baterai yang tidak digunakan selama beberapa waktu harus diisi ulang sebelum digunakan.

Suhu yang melebihi 50 °C akan mengurangi kinerja paket baterai. Hindari paparan berkepanjangan terhadap panas atau sinar matahari (risiko panas berlebihan).

Kontak pengisi daya dan paket baterai harus dijaga kebersihannya.

Untuk masa pemakaian optimal, paket baterai harus diisi dayanya hingga penuh setelah digunakan.

Untuk memaksimalkan masa pemakaian baterai, lepaskan paket baterai dari pengisi daya setelah terisi sepenuhnya.

Untuk penyimpanan paket baterai lebih dari 30 hari:

- Simpan paket baterai jika suhu berada di bawah 27 °C dan jauhkan dari kelembapan.
- Simpan paket baterai dalam kondisi terisi dayanya 30% - 50%.
- Setelah enam bulan penyimpanan, isi daya baterai seperti biasa.

PERLINDUNGAN PAKET BATERAI

Dalam torsi yang sangat tinggi, mengikat, mogok dan situasi arus pendek yang menyebabkan tarikan arus tinggi, alat akan bergetar selama sekitar 5 detik, pengukur bahan bakar akan berkedip, dan kemudian alat akan padam. Untuk menyatel ulang, lepaskan pemicu.

Dalam kondisi ekstrem, suhu dalam baterai dapat meningkat. Jika hal ini terjadi, pengukur bahan bakar akan berkedip sampai baterai mendingin. Ketika lampu padam, lanjutkan pekerjaan.

MENGGANGKUT BATERAI LITIUUM

Baterai litium-ion tunduk pada persyaratan legislasi barang berbahaya.

Pengangkutan baterai ini harus dilakukan sesuai regulasi dan peraturan daerah, nasional, dan internasional.

Baterai dapat diangkat melalui jalan darat tanpa persyaratan khusus.

Pengangkutan komersial baterai lithium-ion oleh pihak ketiga harus tunduk pada Peraturan terkait Barang Berbahaya. Persiapan pengangkutan dan pengangkutan harus dilakukan oleh orang yang terlatih dan prosesnya harus didampingi oleh pakar yang terkait.

Ketika mengangkat baterai:

- Pastikan terminal kontak baterai terlindungi dan terinsulasi untuk mencegah terjadinya korsleting.
- Pastikan bahwa unit baterai aman dari gerakan dalam pengemasan.
- Jangan mengangkat baterai yang retak atau bocor.
- Tanyakan kepada perusahaan ekspedisi untuk mendapatkan saran lebih lanjut.

PENGGANGKUTAN DAN PENYIMPANAN

Selalu matikan produk saat memindahkannya dari satu lokasi ke lokasi lain. Jangan membawa produk dengan jari anda di posisi pelatuk. Penyalaan yang tidak disengaja dapat menyebabkan cedera diri yang parah.

Lepaskan baterai dan biarkan alat menjadi dingin sebelum menyimpan atau mengangkutnya.

Bawa produk dengan memegang pegangan depan untuk menghindari penyalaan yang tidak disengaja. Penanganan produk yang tepat mencegah cedera.

Untuk pengangkutan dengan kendaraan, amankan produk dari pergerakan atau kejatuhan agar tidak menyebabkan cedera terhadap seseorang atau produk itu sendiri.

Singkirkan semua materi asing dari produk. Simpanlah di dalam tempat yang sejuk dan berventilasi baik yang tidak dapat dijangkau oleh anak-anak. Jauhkan produk dari bahan-bahan korosif seperti bahan kimia untuk berkebutan dan garam peluruh es. Jangan menyimpan produk di luar ruangan.

Jangan merendam produk dalam air atau menyemprotnya dengan selang. Jangan bersihkan produk dengan mesin pencuci bertekanan. Air yang masuk ke dalam peralatan akan meningkatkan risiko sengatan listrik. Simpan produk di dalam ruangan.

Jangan menyimpan produk di atas atau di dekat pupuk atau bahan kimia.

PEMBERSIHAN

Jaga agar lubang ventilasi produk tetap bersih setiap waktu.

PERAWATAN

Jaga semua mur, baut, dan sekrup tetap kencang untuk memastikan produk dalam kondisi kerja yang aman.

Periksa produk dan ganti bagian yang aus atau rusak untuk keamanan.

Perbaikan membutuhkan kehati-hatian ekstra dan pengetahuan, dan harus dilakukan hanya oleh seorang teknisi yang memenuhi syarat. Untuk perbaikan, kami menyarankan agar Anda mengembalikan produk ke pusat servis resmi terdekat. Ketika memperbaiki, gunakan hanya suku cadang yang benar-benar identik/serupa.

Matikan dan lepaskan baterai sebelum melakukan perawatan atau pembersihan.

Anda hanya dapat melakukan penyesuaian atau perbaikan seperti dijelaskan dalam manual ini. Untuk perbaikan lain, hubungi agen layanan resmi.

Setelah penggunaan, bersihkan produk dengan kain yang halus dan kering. Bagian manapun yang rusak atau aus harus diperbaiki sebagaimana mestinya atau diganti oleh pusat layanan resmi.

Sering-seringlah memeriksa semua mur, baut, dan sekrup untuk memastikan produk berada dalam kondisi kerja yang aman.

Hanya gunakan aksesoris MILWAUKEE dan suku cadang MILWAUKEE. Jika komponen yang belum dijelaskan harus diganti, hubungi salah satu pusat servis MILWAUKEE kami (lihat daftar alamat pusat servis atau garansi kami).

Jika diperlukan, gambar produk yang diperbesar dapat dipesan. Sebutkan tipe produk dan nomor seri yang tertera pada label, dan pesanlah gambarnya pada agen layanan setempat.

SIMBOL



Baca instruksi dengan saksama sebelum menyalakan produk.



PERHATIAN! PERINGATAN! BAHAYA!



Keluarkan baterai sebelum memulai pekerjaan apa pun pada produk.



Pakai sarung tangan.



Kenakan pelindung telinga.



Selalu pakai kacamata goggle saat menggunakan produk ini.



Kenakan sepatu pengaman.



Kenakan celana panjang.



Gunakan kedua tangan saat mengoperasikan produk.



Pastikan tidak ada orang yang berisiko terkena material yang terlempar keluar atau terjatuh.



Kegagalan dalam menjauhkan tangan dari saluran masuk udara dapat menyebabkan cedera pribadi.



Kegagalan dalam menjauhkan rambut panjang dari saluran masuk udara dapat menyebabkan cedera pribadi.



Jangan gunakan pakaian atau perhiasan longgar yang dapat tertarik masuk ke dalam saluran masuk udara.



Pastikan tidak ada orang yang berisiko terkena material yang terlempar keluar atau terjatuh.



Alat ini tidak boleh terkena hujan sama sekali.



Tingkat daya suara terjamin



Aksesori - Tidak disertakan di dalam peralatan standar, tersedia sebagai aksesori.

n_0

Kecepatan tanpa beban

V

Voltase



Arus Searah



Jangan membuang limbah baterai, limbah peralatan listrik dan elektronik sebagai limbah kota yang tidak disortir. Limbah baterai dan limbah peralatan listrik dan elektronik harus dikumpulkan secara terpisah. Baterai limbah, akumulator limbah, dan sumber cahaya harus disingkirkan dari peralatan. Hubungi otoritas setempat atau penjual untuk mendapatkan informasi lokasi daur ulang dan tempat pengumpulan. Menurut peraturan setempat, penjual dapat diwajibkan untuk menerima kembali baterai bekas dan limbah peralatan listrik dan elektronik tanpa mengenakan biaya. Kontribusi Anda untuk menggunakan kembali dan mendaur ulang limbah baterai dan limbah peralatan listrik dan elektronik membantu mengurangi permintaan bahan baku. Baterai bekas, khususnya yang mengandung litium dan limbah peralatan listrik dan elektronik mengandung material berharga yang dapat didaur ulang, yang dapat berdampak buruk pada lingkungan dan kesehatan manusia, jika tidak dibuang dengan cara yang ramah lingkungan. Hapus data personel dari peralatan yang dibuang, jika ada.

THÔNG SỐ KỸ THUẬT**M18 FOPH-BA**

Loại	Máy thổi lá không dây
Điện áp pin	18 V ---
Tốc độ không tải	0-6640/8680 min ⁻¹
Tốc độ không khí	0-193 km/h
Tốc độ dòng khí	0-14,2 m ³ /min
Trọng lượng theo quy trình EPTA 01/2014 (2,0 Ah - 12,0 Ah)	5,38 kg - 6,44 kg
Trọng lượng (chỉ sản phẩm)	1,98 kg
Trọng lượng pin (M18B2 - M18HB12)	0,43 kg - 1,49 kg
Nhiệt độ môi trường khuyến nghị khi vận hành	-18 - +50 °C
Loại pin được khuyến nghị	M18B..., M18 HB..., M18 FB...
Bộ sạc được khuyến nghị	M12-18..., M18 DFC, M18 PC6

Thông tin về tiếng ồn

Giá trị phát tiếng ồn được xác định theo EN 50636-2-100 Phụ lục CC

Cấp độ áp suất âm thanh trọng số A	74,2 dB (A)
Độ bất định k	3 dB (A)
Cấp độ công suất âm thanh trọng số A	94,2 dB (A)
Độ bất định k	3 dB (A)

Luôn đeo thiết bị bảo vệ tai.

Thông tin về độ rung

Tổng giá trị rung động (tổng vector theo ba trục) được xác định theo EN 50636-2-100 Phụ lục BB

Giá trị phát thải rung chấn a_n / Độ bất định K

Tay cầm trước rung	0,92 m/s ² / 1,5 m/s ²
Tay cầm sau rung	0,91 m/s ² / 1,5 m/s ²

⚠ CẢNH BÁO!

Tổng giá trị mức độ rung chấn và giá trị phát thải tiếng ồn được công bố được đưa ra trong hướng dẫn sử dụng này đã được đo theo thử nghiệm chuẩn hóa đã cho có thể được sử dụng để so sánh với công cụ khác. Có thể sử dụng chúng để đánh giá sơ bộ về mức độ tiếp xúc.

Các giá trị phát thải tiếng ồn và rung chấn được công bố thể hiện cho ứng dụng chính của công cụ. Tuy nhiên, nếu sản phẩm được sử dụng cho các ứng dụng khác nhau, với các phụ kiện khác nhau hoặc được bảo dưỡng kém, thì mức độ phát thải rung chấn và tiếng ồn có thể khác nhau. Những điều kiện này có thể làm tăng đáng kể mức độ tiếp xúc trong tổng thời gian làm việc.

Việc ước tính mức độ tiếp xúc với tiếng ồn và rung chấn cần tính đến số lần công cụ được tắt hoặc khi nó đang chạy không tải. Những điều kiện này có thể làm giảm đáng kể mức độ tiếp xúc trong tổng thời gian làm việc.

Xác định các biện pháp an toàn bổ sung để bảo vệ người vận hành khỏi các tác động của rung chấn và tiếng ồn, như bảo trì công cụ và các phụ kiện, giữ cho tay ấm (trong trường hợp rung chấn), sắp xếp các quy trình làm việc.

⚠ CẢNH BÁO! Hãy đọc tất cả các cảnh báo an toàn, hướng dẫn, hình minh họa và thông số kỹ thuật đi kèm dụng cụ có động cơ này. Không tuân thủ những cảnh báo và chỉ dẫn có thể dẫn đến giật điện, hỏa hoạn và/hoặc chấn thương nghiêm trọng.

Lưu giữ lại tất cả các cảnh báo và hướng dẫn để tham khảo trong tương lai.

CẢNH BÁO AN TOÀN VỀ MÁY THỔI KHÔNG DÂY**ĐÀO TẠO**

Đọc kỹ hướng dẫn. Tìm hiểu các nút điều khiển và cách sử dụng sản phẩm đúng cách.

Hãy nhớ rằng người vận hành hoặc người dùng phải chịu trách nhiệm về các tai nạn hoặc nguy hiểm xảy ra với người khác hoặc tài sản của họ.

CHUẨN BỊ

Chuẩn bị sẵn thiết bị bảo vệ tai và kính bảo hộ. Luôn đeo các thiết bị này trong khi vận hành sản phẩm.

Trong khi vận hành sản phẩm, luôn mang giày bảo hộ và mặc quần dài. Không vận hành sản phẩm khi đi chân trần hoặc đi dép hở.

Tránh mặc quần áo thùng thình hoặc có dây treo hoặc dây lòa xòa.

Không mặc quần áo rộng hoặc đeo đồ trang sức vì các vật này có thể bị hút vào lỗ hút gió. Giữ tóc dài tránh xa lỗ hút gió.

Vận hành sản phẩm ở vị trí được khuyến nghị và chỉ trên bề mặt bằng phẳng, chắc chắn.

Không vận hành sản phẩm trên bề mặt lát đá hoặc sỏi, nơi vật liệu bị thổi văng có thể gây thương tích.

VẬN HÀNH

Tuyệt đối không vận hành sản phẩm khi có người, đặc biệt là trẻ em hoặc vật nuôi ở gần.

Luôn đứng xa khu vực đầu thổi khi vận hành sản phẩm.

Nếu sản phẩm bị tắc, hãy tháo pin ra trước khi gỡ bỏ các mảnh vụn.

Tuyệt đối không vận hành sản phẩm khi bộ phận bảo vệ hoặc tấm chắn bị lỏng hoặc không có thiết bị an toàn, ví dụ như bộ gom mảnh vụn.

Tắt sản phẩm và tháo pin. Đảm bảo tất cả các bộ phận chuyển động đã dừng hẳn:

- bất cứ khi nào bạn rời mắt khỏi sản phẩm
- trước khi xử lý tắc nghẽn hoặc thông tắc máng
- trước khi kiểm tra, vệ sinh hoặc làm việc với sản phẩm

Không sử dụng sản phẩm để hút.

Không thổi vật liệu nóng, dễ cháy hoặc dễ nổ.

Chỉ sử dụng sản phẩm trong môi trường ánh sáng ban ngày hoặc ánh sáng nhân tạo sáng rõ.

Luôn bước vững chân trên những con dốc.

Tuyệt đối không thổi sản phẩm về phía người qua đường. Không vận hành sản phẩm khi chưa gắn ống.

Đi bộ, không bao giờ được chạy.

Giữ cho tất cả các lỗ hút gió làm mát không bị bụi bẩn.

Chỉ ý đảm bảo người qua đường không bị thương do dị vật văng ra từ sản phẩm.

Không sử dụng sản phẩm để hút chất lỏng.

Không vươn người quá xa và luôn giữ thăng bằng.

Không sử dụng sản phẩm dưới trời mưa hoặc để ngoài trời khi trời mưa.

Nếu sản phẩm bị rơi, bị va đập mạnh hoặc bắt đầu rung động bất thường, hãy tắt ngay sản phẩm và kiểm tra hư hỏng hoặc xác định nguyên nhân gây ra rung động. Bất kỳ hư hỏng nào phải được trung tâm bảo dưỡng được ủy quyền sửa chữa hoặc thay thế thích hợp.

BẢO TRÌ VÀ LƯU TRỮ

Khi tắt sản phẩm để bảo dưỡng, kiểm tra, bảo quản hoặc thay phụ kiện, hãy tháo pin và đảm bảo rằng tất cả các bộ phận chuyển động đã dừng hẳn. Chờ sản phẩm hạ nhiệt trước khi thực hiện bất kỳ thao tác kiểm tra, điều chỉnh nào, v.v. Bảo trì sản phẩm cẩn thận và giữ gìn sạch sẽ.

Cất sản phẩm ở nơi khô ráo, tránh xa tầm tay trẻ em.

Luôn chờ cho sản phẩm hạ nhiệt trước khi cất đi.

Không sửa đổi sản phẩm. Những sửa đổi trái phép có thể làm giảm độ an toàn của sản phẩm và có thể làm tăng tiếng ồn và độ rung.

Siết chặt tất cả các đai ốc, bu lông và ốc vít để đảm bảo rằng sản phẩm ở trong tình trạng hoạt động an toàn.

Kiểm tra sản phẩm và thay thế các bộ phận bị mòn hoặc hư hỏng để đảm bảo an toàn.

Thay thế các bộ phận bị mòn hoặc hư hỏng để đảm bảo an toàn. Chỉ sử dụng các bộ phận và phụ kiện thay thế chính hãng.

Tuyệt đối không cố hủy bỏ tính năng khóa liên động của bộ phận bảo vệ.

HƯỚNG DẪN AN TOÀN BỔ SUNG

Không bao giờ cho phép trẻ em, người bị suy giảm khả năng thể chất, giác quan hay tâm thần hoặc thiếu kinh nghiệm và kiến thức, hoặc người không hiểu rõ hướng dẫn này sử dụng sản phẩm; các quy định của địa phương có thể hạn chế độ tuổi của người vận hành.

Nên trông chừng trẻ để đảm bảo rằng trẻ không nghịch sản phẩm.

Tháo bình pin trước khi bắt đầu thao tác với sản phẩm.

HƯỚNG DẪN AN TOÀN CHO PIN

Không thổi bỏ các pin cũ theo rác thải sinh hoạt hoặc đốt chúng. Các nhà phân phối MILWAUKEE đề nghị được lấy lại các pin cũ để bảo vệ môi trường của chúng ta.

Không bảo quản pin cùng với vật dụng kim loại (nguy cơ ngắn mạch).

Chỉ sử dụng các bộ sạc M18 để sạc pin M18. Không sử dụng pin từ các hệ thống khác.

Không bao giờ phá vỡ các pin và bộ sạc, và chỉ bảo quản chúng trong các phòng khô. Luôn đảm bảo các pin và bộ sạc được khô.

Axit trong pin có thể rò rỉ từ pin bị hư hại trong điều kiện nhiệt độ khắc nghiệt hoặc tải quá nặng. Nếu bị tiếp xúc với axit trong pin, hãy rửa ngay lập tức bằng xà phòng và nước. Trong trường hợp axit tiếp xúc với mắt, hãy rửa sạch trong ít nhất 10 phút và ngay lập tức đi khám bác sĩ.

Không để các chi tiết kim loại đi vào phần chứa pin của bộ sạc (nguy cơ ngắn mạch).

CÁC CẢNH BÁO AN TOÀN BỔ SUNG CHO AC PIN

⚠ CẢNH BÁO! Để giảm nguy cơ hỏa hoạn, chấn thương cá nhân và hư hại sản phẩm do ngắn mạch, không bao giờ nhúng sản phẩm, pin hay bộ sạc trong chất lỏng hoặc cho phép chất lỏng xâm nhập vào chúng. Các chất lỏng ăn mòn hoặc dẫn điện, ví dụ như nước biển, một số hóa chất công nghiệp, và chất tẩy hoặc sản phẩm chứa chất tẩy, v.v., đều có thể gây ngắn mạch.

ĐIỀU KIỆN SỬ DỤNG CỤ THỂ

Sản phẩm được thiết kế để thổi bụi bẩn và lá cây.

Không sử dụng sản phẩm cho bất kỳ mục đích nào khác.

PIN

Các pin chưa được sử dụng trong một thời gian dài nên được sạc lại trước khi sử dụng.

Nhiệt độ vượt quá 50 °C làm giảm hiệu năng của pin. Tránh tiếp xúc trong thời gian dài với nhiệt độ hoặc ánh nắng mặt trời (nguy cơ quá nhiệt).

Các điểm tiếp xúc của bộ sạc và bộ pin phải được giữ sạch sẽ.

Để có tuổi thọ tối ưu, các pin phải được sạc đầy sau mỗi lần sử dụng.

Để đảm bảo thời lượng pin lâu nhất có thể, hãy rút pin ra khỏi bộ sạc sau khi nó được sạc đầy.

Để bảo quản pin lâu hơn 30 ngày:

- Bảo quản pin ở nơi khô, có nhiệt độ dưới 27 °C.
- Bảo quản pin ở mức sạc 30% – 50%.
- Sau mỗi 6 tháng bảo quản, sạc pin như bình thường.

BẢO VỆ PIN

Trong các tình huống mômen xoắn cao, kẹp, kẹt và ngắn mạch có thể tăng cường độ dòng điện, sản phẩm sẽ rung khoảng 5 giây, đồng hồ xăng sẽ nháy sáng, và sau đó sản phẩm bị tắt. Để đặt lại, hãy nhả cò ra.

Trong các tình huống khắc nghiệt, nhiệt độ bên trong của bộ pin có thể tăng lên quá cao. Nếu điều này xảy ra, đồng hồ xăng sẽ nháy sáng cho đến khi bộ pin nguội bớt. Sau khi đèn tắt, tiếp tục làm việc.

VẬN CHUYỂN PIN LITHIUM

Các bình pin lithium-ion cần tuân thủ Luật về Hàng hóa Nguy hiểm.

Việc vận chuyển các pin này phải được thực hiện theo các điều kiện và quy định của địa phương, quốc gia và quốc tế.

Pin có thể được vận chuyển bằng đường bộ mà không có yêu cầu nào khác.

Việc vận chuyển thương mại pin lithium-ion bởi các bên thứ ba cần tuân thủ quy định về Hàng hóa Nguy hiểm. Việc chuẩn bị vận chuyển và vận chuyển cần được thực hiện bởi những người được đào tạo phù hợp và quy trình này phải được giám sát bởi các chuyên gia trong ngành.

Khi vận chuyển pin:

- Đảm bảo các đầu tiếp xúc của pin được bảo vệ và cách điện để ngăn ngắn mạch.
- Đảm bảo pin được cố định để không di chuyển trong bao bì.
- Không vận chuyển các pin bị nứt hoặc rò rỉ.
- Kiểm tra với công ty chuyển tiếp để được tư vấn thêm.

VẬN CHUYỂN VÀ CẤT GIỮ

Luôn tắt sản phẩm khi vận chuyển từ địa điểm này sang địa điểm khác. Không cầm sản phẩm khi ngón tay bạn đang đặt trên cò kích hoạt. Khởi động ngẫu nhiên có thể gây ra thương tích cá nhân nghiêm trọng.

Tháo bộ pin và để nguội trước khi cất giữ hoặc vận chuyển.

Cầm sản phẩm bằng tay cầm phía trước để tránh vô tình khởi động. Xử lý sản phẩm đúng cách để tránh bị thương.

Đối với vận chuyển trong xe, bảo vệ sản phẩm tránh di chuyển hoặc rơi xuống để tránh thương tích cho người hoặc làm hỏng sản phẩm.

Loại bỏ tất cả các tạp chất khỏi sản phẩm. Cất giữ sản phẩm ở nơi thoáng mát, khô ráo và thông thoáng, chỗ trẻ em không thể tiếp cận được. Để sản phẩm tránh xa các chất gây ăn mòn, chẳng hạn như hóa chất làm vườn và muối khử. Không cất giữ sản phẩm ngoài trời.

Không nhúng sản phẩm vào nước hoặc xịt bằng vòi. Không làm sạch sản phẩm bằng máy phun rửa áp lực. Nước vào dụng cụ có động cơ sẽ làm tăng nguy cơ bị điện giật. Cất giữ sản phẩm trong nhà.

Không cất giữ sản phẩm trên hoặc gần phân bón hoặc hóa chất.

LÀM SẠCH

Luôn giữ cho các khe thông gió của sản phẩm thông thoáng.

BẢO TRÌ

Siết chặt tất cả các đai ốc, bu lông và ốc vít để đảm bảo rằng sản phẩm ở trong tình trạng hoạt động an toàn.

Kiểm tra sản phẩm và thay thế các bộ phận bị mòn hoặc hư hỏng để đảm bảo an toàn.

Chỉ kỹ thuật viên bảo dưỡng có trình độ mới được thực hiện bảo dưỡng và người này phải cẩn thận và có kiến thức chuyên sâu. Để bảo dưỡng, hãy trả sản phẩm, bộ pin và bộ sạc về trung tâm bảo dưỡng được ủy quyền gần nhất để sửa chữa. Khi bảo dưỡng, chỉ sử dụng các bộ phận thay thế giống hệt.

Tắt và tháo bộ pin trước khi tiến hành bất kỳ công việc bảo trì hoặc vệ sinh nào.

Bạn chỉ có thể thực hiện điều chỉnh hoặc sửa chữa được mô tả trong hướng dẫn này. Đối với các sửa chữa khác, hãy liên hệ với trung tâm bảo dưỡng được ủy quyền để họ thực hiện.

Sau mỗi lần sử dụng, lau sạch sản phẩm bằng vải khô, mềm. Bất kỳ bộ phận nào bị hỏng cũng phải được trung tâm bảo dưỡng được ủy quyền sửa chữa hoặc thay thế thích hợp.

Kiểm tra độ chặt phù hợp của tất cả các đai ốc, bu lông và ốc vít trong khoảng thời gian thường xuyên để đảm bảo rằng sản phẩm vẫn ở trong tình trạng hoạt động an toàn.

Chỉ sử dụng các phụ kiện và phụ tùng của MILWAUKEE. Nếu cần thay thế các thành phần không được mô tả, vui lòng liên hệ với một trong các trung tâm bảo dưỡng MILWAUKEE của chúng tôi (xem danh sách địa chỉ bảo hành hoặc bảo dưỡng của chúng tôi).

Nếu cần, có thể yêu cầu xem hình vẽ mô tả chi tiết các bộ phận. Vui lòng nêu rõ số sê-ri cũng như loại sản phẩm được in trên nhãn và yêu cầu bản vẽ tại các trung tâm dịch vụ địa phương của bạn.

KÝ HIỆU



Đọc kỹ hướng dẫn trước khi khởi động sản phẩm.



CHÚ Ý! CẢNH BÁO! NGUY HIỂM!



Tháo bình pin trước khi bắt đầu thao tác với sản phẩm.



Đeo găng tay.



Đeo thiết bị bảo vệ tai.



Luôn đeo kính bảo vệ khi sử dụng sản phẩm.



Đi giày an toàn.



Mặc quần dài.



Dùng cả hai tay khi vận hành sản phẩm.



Đảm bảo rằng không ai có nguy cơ bị vật liệu bị phóng ra ngoài hoặc rơi xuống văng vào.



Nếu không giữ tay tránh xa lỗ hút gió có thể dẫn đến thương tích cá nhân.



Nếu không giữ tóc dài tránh xa lỗ hút gió có thể dẫn đến thương tích cá nhân.



Không mặc quần áo rộng hoặc đeo đồ trang sức vì các vật này có thể bị hút vào lỗ hút gió.



Đảm bảo rằng không ai có nguy cơ bị vật liệu bị phóng ra ngoài hoặc rơi xuống văng vào.



Không bao giờ cho sản phẩm ra ngoài trời mưa.



Mức công suất âm thanh được đảm bảo



Phụ kiện - Không có ở thiết bị tiêu chuẩn; được cung cấp dưới dạng phụ kiện.

n_0 Tốc độ không tải

V Điện áp

 Dòng điện một chiều



Không vứt bỏ pin thải, thiết bị điện và điện tử thải cùng với rác thải đô thị chưa được phân loại. Pin thải và thiết bị điện và điện tử thải phải được thu gom riêng. Phải loại bỏ pin thải, bộ tích điện thải và nguồn sáng khỏi thiết bị. Kiểm tra với chính quyền địa phương hoặc nhà bán lẻ của bạn để được tư vấn về tái chế và điểm thu gom. Theo quy định của địa phương, các nhà bán lẻ có thể có nghĩa vụ nhận lại pin thải và thiết bị điện và điện tử thải miễn phí. Sự đóng góp của bạn trong việc tái sử dụng và tái chế pin thải và thiết bị điện và điện tử thải sẽ giúp giảm nhu cầu về nguyên liệu thô. Đặc biệt, pin thải có chứa lithium và thiết bị điện và điện tử thải chứa các vật liệu có giá trị, có thể tái chế, có thể tác động xấu đến môi trường và sức khỏe con người, nếu không được xử lý theo cách phù hợp với môi trường. Xóa dữ liệu cá nhân khỏi thiết bị thải, nếu có.

タイプ	コードレスガーデンブロー
バッテリー電圧	18 V ---
無負荷回転数	0-6640/8680 min ⁻¹
風速	0-193 km/h
風量	0-14.2 m ³ /min
本体重量 (2.0Ah~12.0Ahバッテリー装着時) (EPTA 01/2014準拠)	5.38 kg - 6.44 kg
重量 (製品のみ)	1.98 kg
バッテリー重量 (M18B2 - M18HB12)	0.43 kg - 1.49 kg
推奨周囲動作温度	-18 - +50 °C
推奨バッテリータイプ	M18B..., M18 HB..., M18 FB...
推奨充電器	M12-18..., M18 DFC, M18 PC6
騒音情報	
騒音放射値は EN 50636-2-100 Annex CC に準拠	
A特性・音圧レベル	74.2 dB (A)
不確かさ K	3 dB (A)
A特性音響パワーレベル	94.2 dB (A)
不確かさ K	3 dB (A)
必ずイヤープロテクターを使用してください。	
振動情報	
総振動値 (3 軸のベクトル和) は EN 50636-2-100 Annex BB に準拠	
振動放出値 a _v / 不確かさ K	
振動フロントハンドル	0.92 m/s ² / 1.5 m/s ²
振動リアハンドル	0.91 m/s ² / 1.5 m/s ²

⚠ 警告!

本情報シートに記載されている振動/騒音放射レベルは、の所与の標準検査に従って測定されたものであり、ある工具と別の工具を比較するために使用することができます。暴露の予備評価にも使用できます。

公表された振動・騒音値は、工具の主な用途を表しています。ただし、工具が異なる用途に使用され、付属品が異なっている、メンテナンスが不十分であるなどの場合は、振動/騒音放射が異なる場合があります。これらの条件により、総作業期間にわたる暴露レベルが大幅に増加する可能性があります。

暴露する振動・騒音値の概算を出す場合、工具のスイッチがオフになっている時間、または工具がアイドリング中である時間も考慮する必要があります。これらの条件により、総作業期間にわたる暴露レベルが大幅に減少する可能性があります。

振動/騒音の影響からオペレーターを保護するために、次のような追加安全対策を確認してください: 工具と付属品のメンテナンスを行う、手を温かく保つ、作業パターンを整理する。

⚠ 警告! 本電動工具に同梱されているすべての安全警告、指示、図、仕様をお読みください。下記のすべての指示に従わない場合、感電や火災が発生したり、重傷を負う可能性があります。

今後の参考のために、すべての警告と指示を保存します。

コードレスブローの安全に関する警告

トレーニング

説明書をよくお読みください。本製品の制御と適切な使用方法を十分に理解したうえでご使用ください。

作業者や使用者は、他者や建物などに起こる事故や危険に対する責任があることを常に頭に入れてください。

準備

防音保護具と安全メガネを用意してください。本製品の操作中は、常に着用してください。

本製品の操作中は、必ず作業に適した履物と長ズボンを着用してください。本製品は、裸足や先の開いたサンダルを着用して操作しないでください。

い。ゆったりした衣類や、コードや紐が垂れ下がっている衣類は着用しないでください。

吸気口に吸い込まれる可能性のある、ゆったりした衣類やアクセサリーを着用しないでください。吸気口に長髪を近づけないでください。

本製品は、推奨される位置で、固く、平らな場所でのみ操作してください。舗装された、または砂利の地面で本製品を使用しないでください。吹き飛ばされた物質で怪我をするおそれがあります。

動作

本製品は、人、特に子供や、ペットが近くにいるときは決して使用しないでください。

常に排気ゾーンから離れて本製品を使用してください。

本製品が目詰まりした場合は、バッテリーパックを取り外し、異物を取り除いてください。

ガードやシールドに欠陥がある状態や、破片コレクターなどの安全装置を未装着の状態では本製品を使用しないでください。

本製品の電源を切り、バッテリーパックを取り外します。以下の場合、すべ

での可動部品が完全に停止していることを確認します。

- ・本製品から離れる場合
- ・詰まりを除去する場合、またはシュートの詰まりを取り除く場合
- ・本製品の点検、清掃、作業を行う場合

本製品を吸引に使用しないでください。

高温、可燃性、爆発性の物質を吹き飛ばさないでください。

本製品は、日光または明るい人工光の元でのみ使用してください。

斜面では必ずしっかりと立ってください。

本製品を周囲にいる人に向けて使用しないでください。チューブを未装着の状態では本製品を操作しないでください。

使用中は走らず、歩いてください。

すべての冷却空気吸気口に汚れがないようにしてください。

本製品から飛ばされた異物によって周囲の人が怪我をしないように注意してください。

本製品で液体を吸い込まないでください。

腕を伸ばし過ぎず、常にバランスを保つようにしてください。

雨天時は、本製品を雨の中で使用したり屋外に放置したりしないでください。

本製品が落下した、強い衝撃が加わった、異常に振動するようになった場合は、ただちに本製品の電源をオフにし、破損部分がないか点検する、または振動の原因を調べてください。破損した製品は、認定を受けたサービスマンによって適切に修理または交換する必要があります。

メンテナンスと保管

保守、点検、保管、またはアクセサリーの交換のために本製品の電源を切った場合は、バッテリーパックを取り外し、すべての可動部品が完全に停止していることを確認します。本製品が冷えるのを待ってから、点検、調整などを行います。本製品は慎重に保守し、清潔に保ってください。

本製品は、子供の手の届かない、乾燥した場所に保管してください。

本製品が冷えるのを待ってから、保管してください。

本製品を改造しないでください。不正な改造により、本製品の安全性が損われたり、騒音や振動が増加したりする可能性があります。

本製品が安全な動作状態になるよう、すべてのナット、ボルト、ねじは締め付けられた状態を維持してください。

本製品を点検し、摩耗や破損している部品は安全のため交換してください。

摩耗や破損している部品は安全のため交換してください。純正の交換部品およびアクセサリーのみを使用してください。

ガードのインターロック機能を無効化しないでください。

その他の安全上の注意事項

小児、身体/感覚/精神機能に低下がある人、経験や知識がない人、これらの手順に不慣れな人に本機を使用させないでください。現地規制で、オペレーターの年齢が制限されていることがあります。

お子様が本製品で遊ばないよう監視する必要があります。

本製品で作業を開始する前に、バッテリーパックを取り外してください。

バッテリーの安全上の注意事項

使用済みのバッテリーパックは家庭ゴミと一緒に廃棄したり、燃やしたりしないでください。ミルウォーキー (MILWAUKEE) 販売店では、環境保護のために古いバッテリーを回収いたします。

金属片などと一緒にバッテリーパックを保管しないでください。ショートの危険性があります。

M18システム・バッテリーの充電には、M18システムの充電器しか使用できません。別のシステムのバッテリーと混ぜて使用しないでください。

バッテリーと充電器は絶対に分解しないでください。バッテリーと充電器は湿度の低い屋内で保管してください。

極端な負荷や温度によってバッテリーが損傷し、液漏れが発生する場合

があります。漏れ出た液と接触した場合は、直ちに石鹸と水で洗い流してください。目に入った場合は、少なくとも10分間流水ですすいで、直ちに医師の診察を受けてください。

充電器の金属端子部に金属片などを接触させないでください。ショートの危険があります。

バッテリーに関する詳細な安全警告

⚠ 警告! バッテリーに関する詳細な安全警告 漏電による火災、人的損傷、製品破損のリスクを軽減するために、製品、バッテリーパック、充電器を液体に浸したり、液体を注入させたりすることは絶対にしないでください。海水、特定の工業用化学物質、漂白剤または漂白剤を含む製品などの腐食または伝導性誘導体は、漏電の原因となることがあります。

特定の使用条件

本製品は汚れや落ち葉を吹き飛ばすために使用します。

本製品を他の用途では使用しないでください。

バッテリー

しばらく使用していなかったバッテリーパックは使用前に再度充電を行ってください。

50°Cを超える温度下ではバッテリーパックの性能が低下します。直射日光や高熱に長時間さらさないようにしてください(オーバーヒートの危険性があります)。

充電器とバッテリーパックの接触部はつねに清潔な状態にしてください。最適な寿命を保つため、使用後はバッテリーをフル充電した後保管してください。

バッテリー寿命を最大に保つためにバッテリーをフル充電してから充電器から取り外してください。

バッテリーパックを30日以上保管する場合:

- ・温度27°C度未満で湿気がない場所に保管する。
- ・30~50%の充電状態で保管する。
- ・6ヶ月ごとにバッテリーを通常通りに充電する。

バッテリーパックの保護

極めて高いトルク、ピンディング、停動、および高電流を引き起こす短絡状態では、製品は約5秒間振動して燃料計が点滅してからオフになります。リセットするには、トリガーを解除してください。

過酷な環境下では、バッテリーパック内の温度が過剰に上昇する場合があります。この現象が起きると、バッテリーパックが冷たくなるまで燃料計が点滅します。ライトが消えた後も作動し続けてください。

リチウムバッテリーの輸送

リチウムイオンバッテリーは、危険物規制の要件の対象となります。

このバッテリーの輸送は、地域、国、および国際的な規定および規制に従って行わなければならない。

バッテリーの地上輸送には、それ以上の要件はありません。

第三者によるリチウムイオンバッテリーの商業輸送には、危険物規制が適用されます。輸送の準備と輸送は、適切な訓練を受けた人員のみが実施し、その作業には対応する専門家の同行が必要です。

バッテリーを輸送する場合:

- ・バッテリーの接触端子は、漏電を防ぐために保護と絶縁の処理がされていることを確認してください。
- ・バッテリーパックがパッケージ内で動かないように固定されていることを確認してください。
- ・ひびが入ったり液漏れが発生しているバッテリーは輸送しないでください。
- ・詳細については、運送会社に確認してください。

持ち運びおよび保管

本製品を別の場所に移動させる際は、必ず本製品の電源をオフにして

ださい。トリガーに指をかけたまま本製品を持ち運ばないでください。誤って始動し、大けがにつながるおそれがあります。

保管および持ち運び前は、バッテリーパックを取り外して冷却してください。

誤って始動しないよう、フロントハンドルを持って本製品を持ち運んでください。本製品を適切に取り扱うことで、けがを防ぐことができます。

車両で持ち運ぶ場合は、製品が動いたり落下しないように固定して、人身傷害や製品の損傷を防止します。

本製品からすべての異物を取り除きます。製品をお子様の手の届かない涼しく湿気の無い換気の良い場所に保管します。園芸用化学薬品や凍結防止塩などの腐食剤から製品を離してください。製品を屋外に保管しないでください。

本製品は水に濡らしたり、ホースで水をかけたりしないでください。本製品を高圧洗浄機で清掃しないでください。工具に水が入ると、感電の危険が高まります。本製品は屋内で保管してください。

本製品を肥料や薬品の上や近くに保管しないでください。

お手入れ

充電の際、充電器の排気口を塞がないでください。

保守

本製品が安全な動作状態になるよう、すべてのナット、ボルト、ねじは締め付けられた状態を維持してください。

本製品を点検し、摩耗や破損している部品は安全のため交換してください。

修理には細心の注意と知識が必要であり、資格のあるサービス技術者のみが実施する必要があります。修理の場合は、本製品をお近くの認定サービスセンターまで返送してください。修理の際は、同じ交換部品のみを使用してください。

保守や清掃を行う前に、本製品の電源をオフにし、バッテリーパックを取り外してください。

本説明書に記載されている調整または修理を行ってください。他の修理に関しては、認定サービスセンターまでお問い合わせください。

各使用後、製品を柔らかい乾いた布で拭きます。破損した製品は、認定を受けたサービスセンターで適切に修理または交換する必要があります。

すべてのナット、ボルト、ねじを頻繁に点検して、本製品が安全な動作状態であることを確認してください。

MILWAUKEEのアクセサリとサービスパーツのみを使用してください。記載されていない部品を交換する必要がある場合は、MILWAUKEEサービスセンターにお問い合わせください(保証リストまたはサービス所在地リストを参照してください)。

必要に応じて、製品の分解立体図をご注文いただけます。製品タイプとシリアル番号をラベルにご記入のうえ、お近くのサービスセンターで分解立体図をご注文ください。

記号



製品の使用を開始する前に、指示を注意深くお読みください。



注意！警告！危険！



本製品で作業を開始する前に、バッテリーパックを取り外してください。



手袋を着用してください。



耳栓を使用してください。



製品を使用する際は、必ずゴーグルを着用してください。



安全靴を着用します。



長ズボンを着用してください。



本製品は両手で操作してください。



材料が人に向かって飛散したり落下したりする危険がないことを確認してください。



吸気口に手を近づけると、怪我をするおそれがあります。



吸気口に長髪を近づけると、怪我をするおそれがあります。



吸気口に吸い込まれる可能性のある、ゆったりした衣類やアクセサリを着用しないでください。



材料が人に向かって飛散したり落下したりする危険がないことを確認してください。



絶対に本製品を雨にさらさないでください。



保証音響パワーレベル



アクセサリ - 標準装置には含まれていません。付属品として購入頂けます。

n_0

無負荷回転数

V

電圧



直流



自治体の廃棄物に分類されない廃棄電池、電気機器、電子機器は廃棄しないでください。廃棄電池、電気機器、電子機器は、分別して収集する必要があります。廃棄電池、蓄電部、光源は、機器から取り外す必要があります。リサイクル方法や回収場所については、お住いの地域の自治体または販売店にご確認ください。自治体の規定によっては、小売業者は廃棄電池や電気機器、電子機器を無償で持ち帰る義務を有する場合があります。廃棄電池、電気機器、電子機器を再利用・リサイクルすることで、材料の必要性を減らすことができます。廃棄電池(特にリチウムを含む電池)や電気機器、電子機器には、貴重でリサイクル可能な材料が含まれており、環境に配慮した方法で廃棄しない場合、環境や人体の健康に害を及ぼすおそれがあります。廃棄機器に個人情報が入っている場合は、削除してください。



