

# Milwaukee™

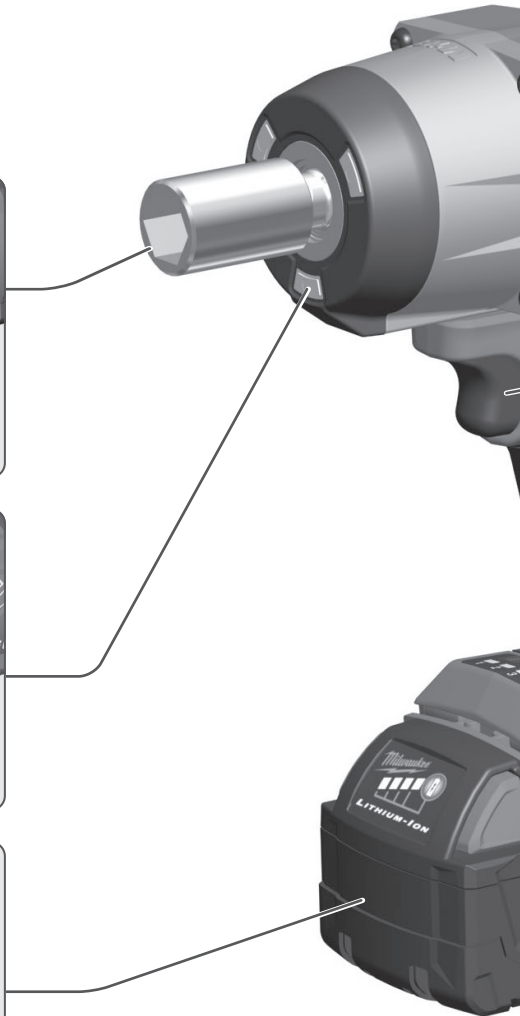
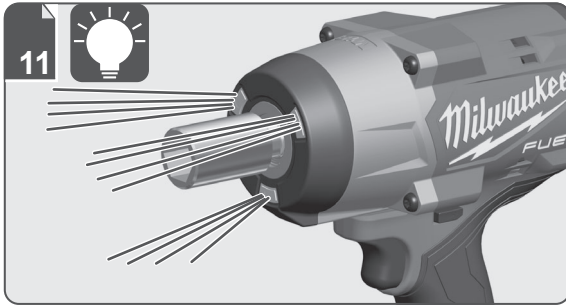
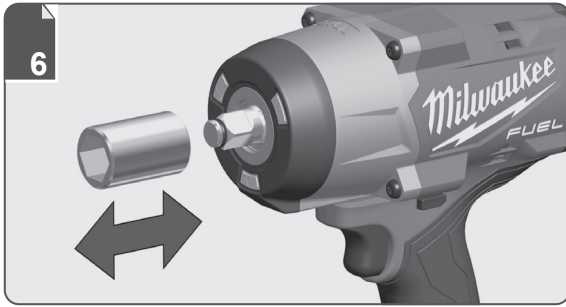
Nothing but **HEAVY DUTY.**™

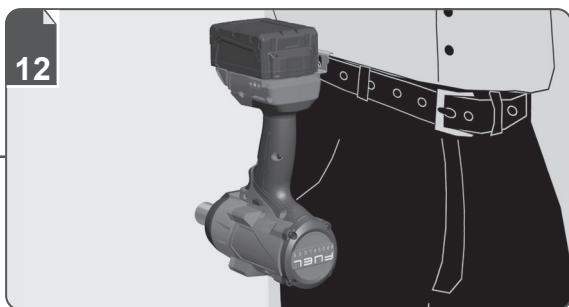
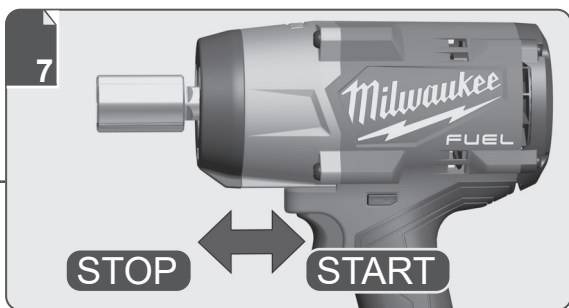
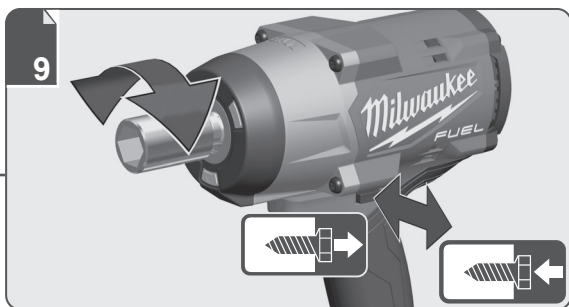
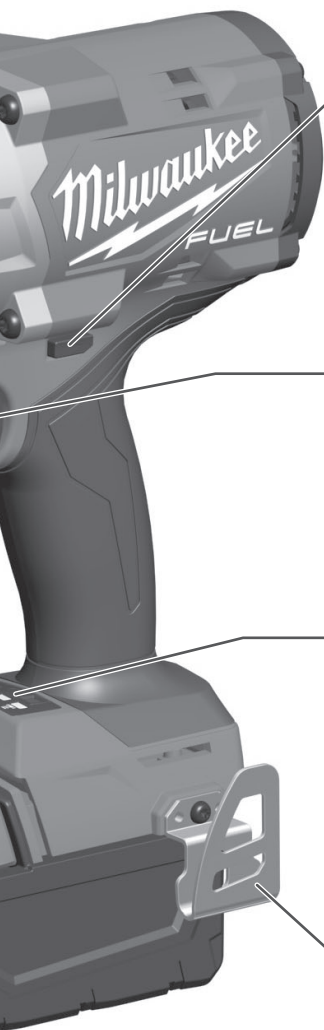


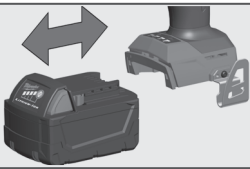
## M18 FHIW2F12

---

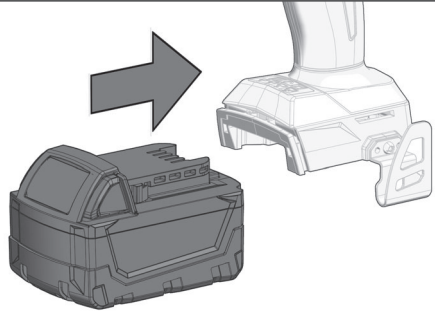
- ⓔ User Manual
- ⓩ 操作指南
- ⓩ 操作指南
- Ⓚ 사용시 주의사항
- Ⓣ คู่มือการใช้งาน
- Ⓜ Buku Petunjuk Pengguna
- Ⓥ Cẩm nang hướng dẫn sử dụng
- Ⓜ 取扱説明書





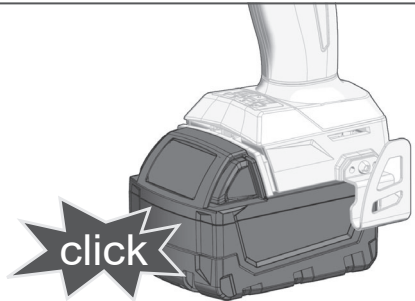


1

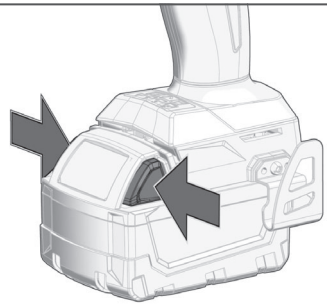


2

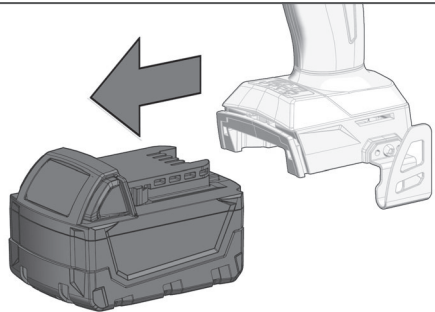
Click  
啪嗒聲  
啪嗒声  
딸깍  
คลิก  
Klik  
Tiếng tách  
クリック



1



2



Remove the battery pack before starting any work on the product.

對產品進行任何工作前，先移除電池組。

在开始任何工作之前，请先取出电池。

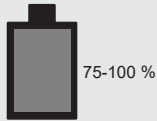
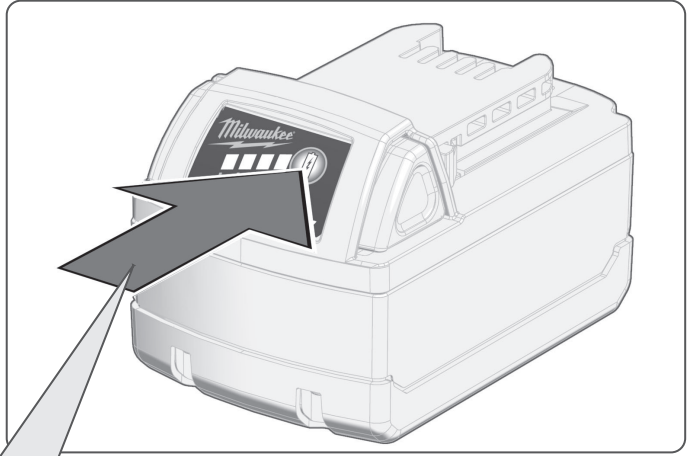
제품을 청소하거나 분리하기 전, 배터리 팩을 제거하십시오.

ถอดแบตเตอรี่ออกก่อนเริ่มการใช้งาน

Lepaskan paket baterai sebelum memulai pekerjaan apa pun pada produk.

Tháo pin trước khi bắt đầu thao tác với sản phẩm.

作業前の調整時や保守・点検時は、本体からバッテリーを取り外してください。



75-100 %



50-75 %



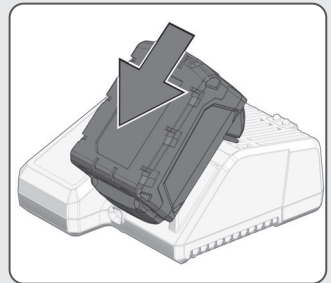
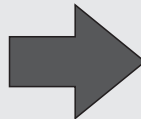
30-50 %

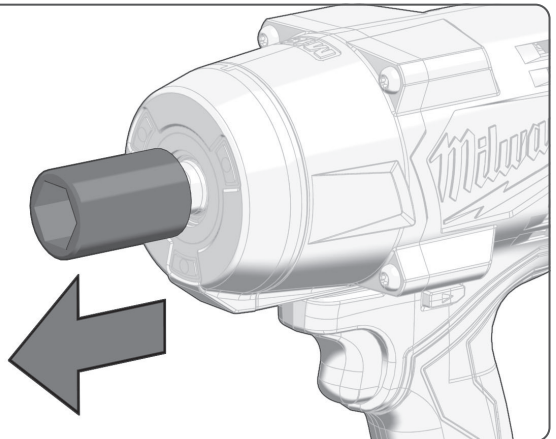
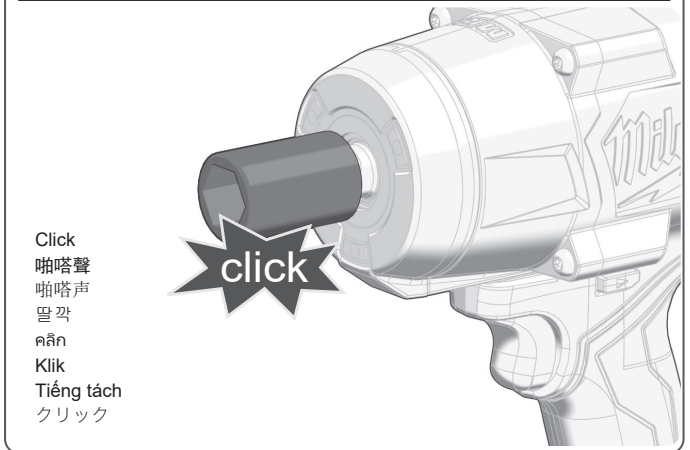
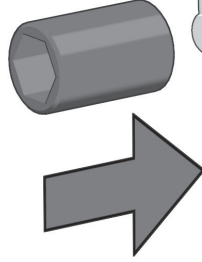
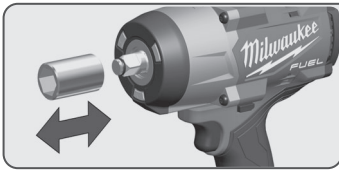


10-30 %



< 10 %

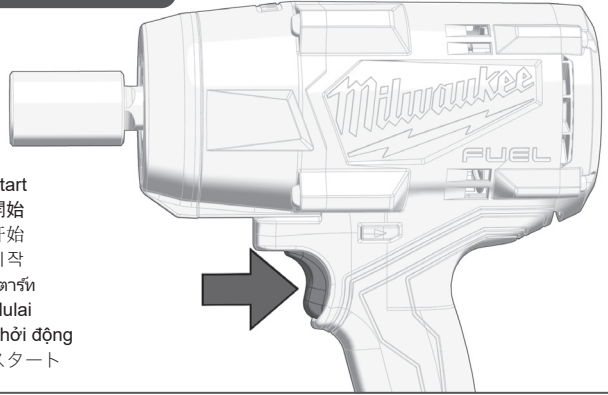






## START

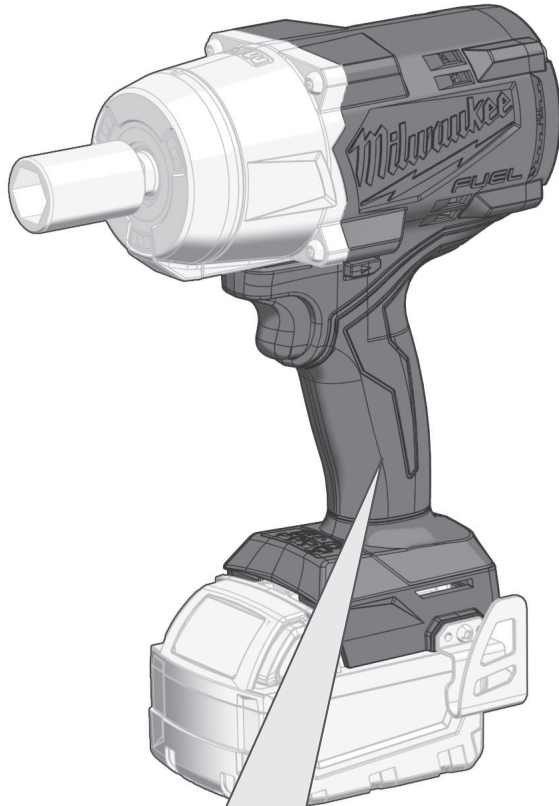
Start  
開始  
开始  
시작  
สตาร์ท  
Mulai  
Khởi động  
スタート



## STOP

Stop  
停止  
停止  
정지  
หยุดเครื่อง  
Berhenti  
Dừng  
ストップ





Insulated gripping surface

絶縁握持表面

绝缘的握持面

절연 그립 표면

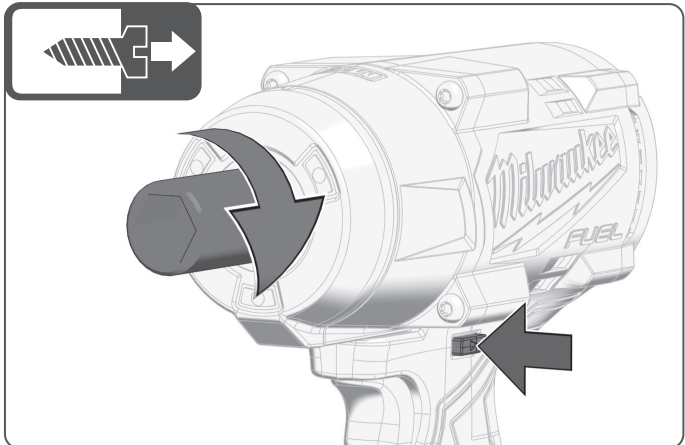
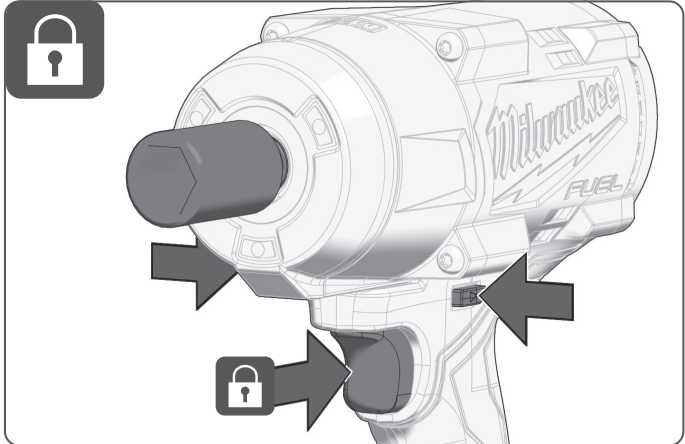
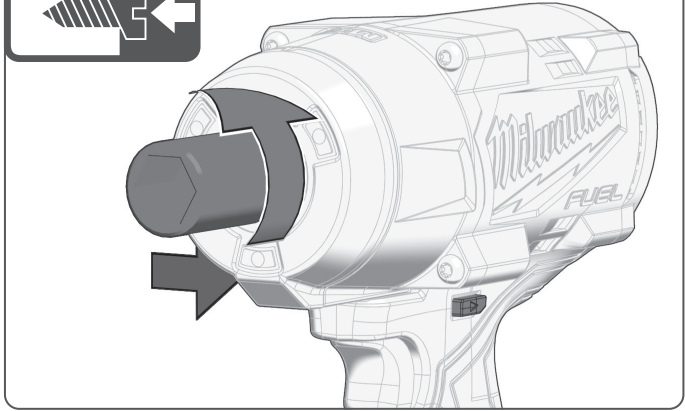
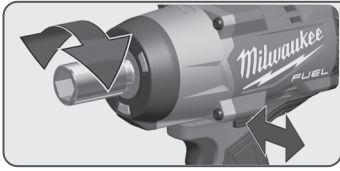
พื้นผิวจับกันความร้อน

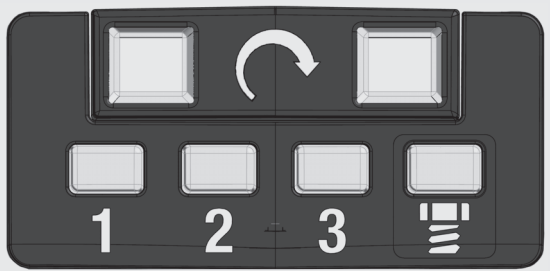
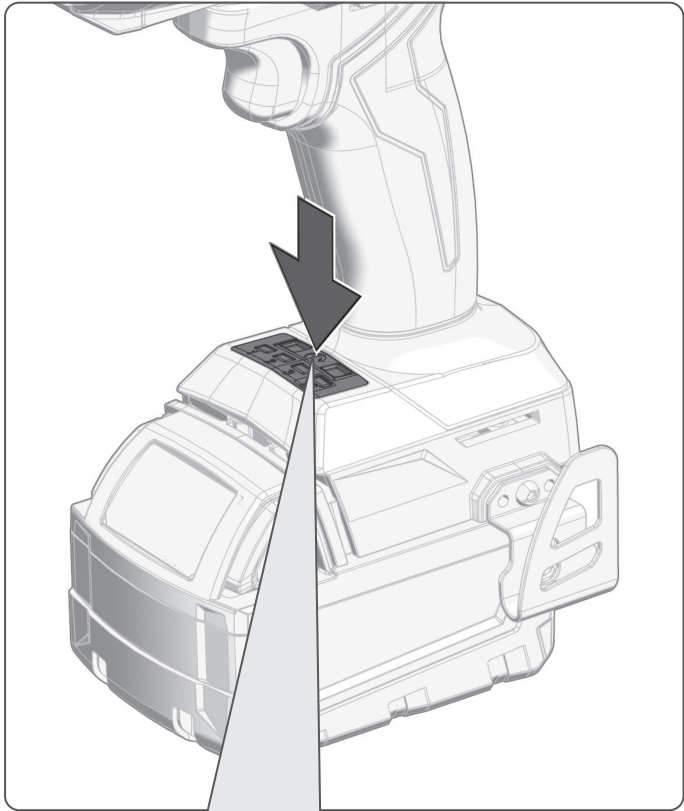
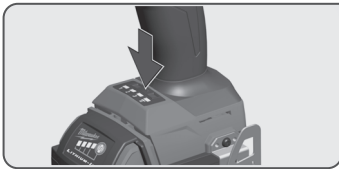
Permukaan genggam berinsulasi

Bề mặt tay cầm được cách điện

絶縁グリップ面




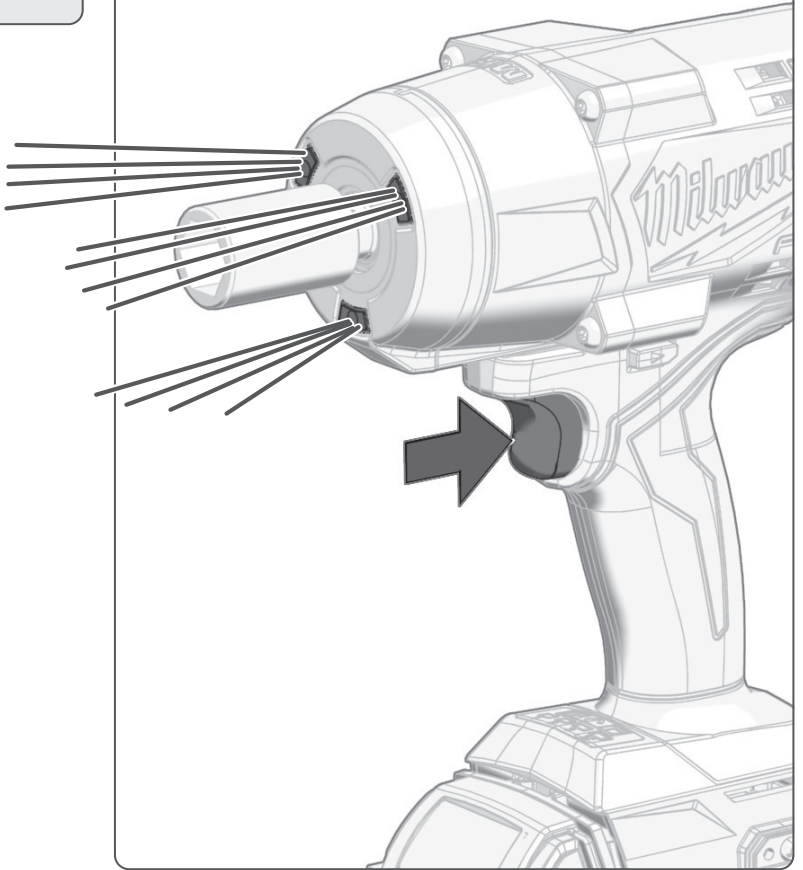


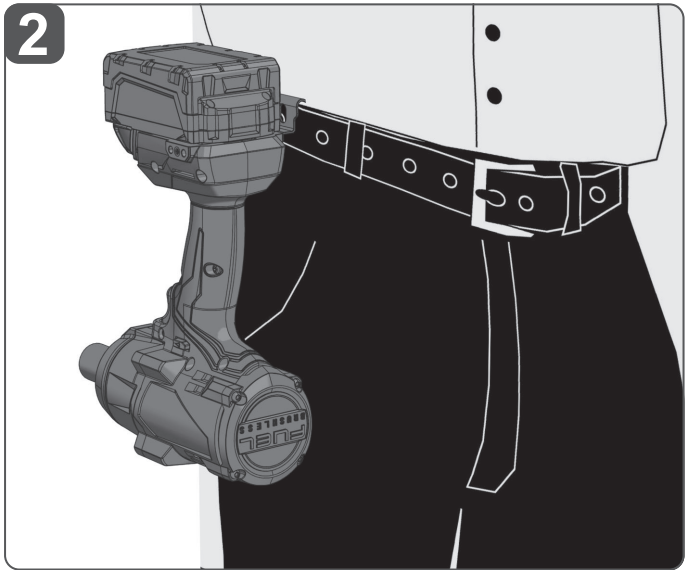
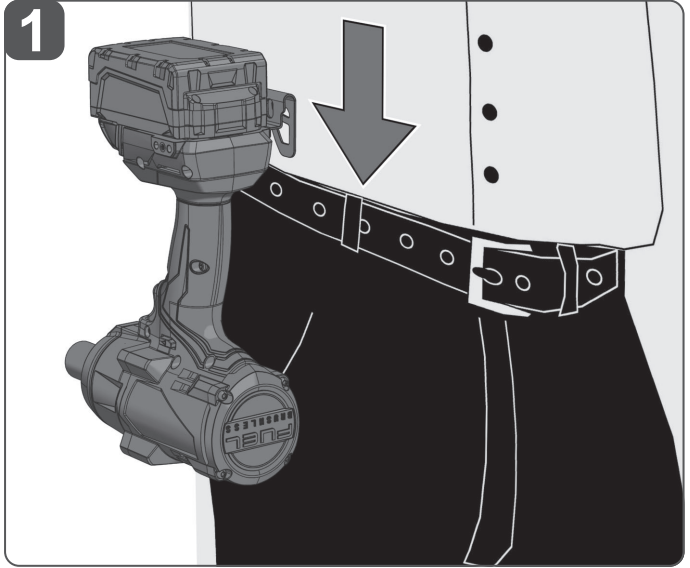
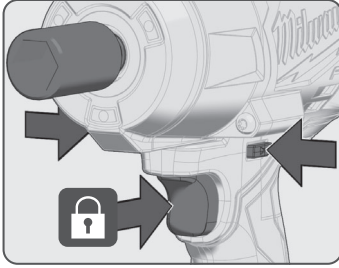
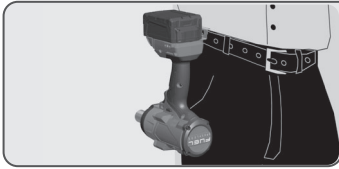




min<sup>-1</sup>

0-700	0-1300	0-2000	0-900 0-2000/0-750
-------	--------	--------	-----------------------

	0-1300	0-2200	0-2400	-
---	--------	--------	--------	---





Type	Cordless impact wrench
Battery voltage	18 V ---
No-load speed	
Mode 1	0-700/min
Mode 2	0-1300/min
Mode 3	0-2000/min
No-load speed: Mode  (Auto shut-off mode)	
Forward	0-900/min
Reverse	0-2000/min / 0-750/min
Impact rate	
Mode 1	0-1300/min
Mode 2	0-2200/min
Mode 3	0-2400/min
Fastening torque	
Mode 1	880 Nm
Mode 2	1220 Nm
Mode 3	1627 Nm
Mode 	< 68 Nm
Max nut busting torque	2169 Nm
Tool reception	12.7 mm (1/2 in.)
Max diameter bolt / nut	M36
Weight according EPTA-Procedure 01/2014 (2.0 Ah – 12.0 Ah)	3.1 kg – 4.3 kg
Recommended ambient operating temperature	-18 – +50 °C
Recommended battery types	M18B..., M18 HB..., M18 FB
Recommended charger	M12-18..., M18 DFC, M18 PC6

### Noise information

Noise emission values determined according to EN 62841

A-weighted sound pressure level	97 dB (A)
Uncertainty K	3 dB (A)
A-weighted sound power level	105 dB (A)
Uncertainty K	3 dB (A)

Always wear ear protectors.

### Vibration information

Total vibration values (vector sum in the three axes) determined according to EN 62841

Vibration emission value $a_h$	24.84 m/s <sup>2</sup>
Uncertainty K	1.5 m/s <sup>2</sup>



### WARNING!

The declared vibration total values and the declared noise emission values given in this instruction manual have been measured in accordance with a standardised test and may be used to compare one tool with another. They may be used for a preliminary assessment of exposure.

The declared vibration and noise emission values represent the main applications of the tool. However, if the tool is used for different applications, used with different accessories, or poorly maintained, the vibration and noise emission may differ. These conditions may significantly increase the exposure levels over the total working period.

An estimation of the level of exposure to vibration and noise should take into account the times when the tool is turned off or when it is running idle. These conditions may significantly reduce the exposure level over the total working period.

Identify additional safety measures to protect the operator from the effects of vibration and noise, such as maintaining the tool and the accessories, keeping the hands warm (in case of vibration), and organising work patterns.

**⚠ WARNING! Read all safety warnings, instructions, illustrations, and specifications provided with this power tool.** Failure to follow all instructions listed below may result in electric shock, fire, and/or serious injury.

Save all warnings and instructions for future reference.

### IMPACT WRENCH SAFETY WARNINGS

**Wear ear protectors.** Exposure to noise can cause hearing loss.

**Hold the power tool by insulated gripping surfaces, when performing an operation where the fastener may contact hidden wiring.** Fasteners contacting a "live" wire may make exposed metal parts of the power tool "live" and could give the operator an electric shock.

### ADDITIONAL SAFETY AND WORKING INSTRUCTIONS

Use protective equipment. Always wear safety glasses when working with the product. The use of protective clothing is recommended, such as dust mask, protective gloves, sturdy non-slip footwear, helmet, and ear defenders.

The dust produced when using the product may be harmful to health. Do not inhale the dust. Wear a suitable dust protection mask.

Do not machine any materials that present a danger to health (e.g. asbestos).

Turn off the product immediately if the insertion tool stalls. Do not turn on the product again while the insertion tool is stalled, as doing so could trigger a sudden recoil with a high reactive force. Determine why the insertion tool stalled and rectify this, paying heed to the safety instructions.

The possible causes may be:

- The insertion tool is tilted in the workpiece to be machined.
- The insertion tool has pierced through the material to be machined.
- The power tool is overloaded.

Do not reach into the product while it is running.

The insertion tool may become hot during use.

**⚠ WARNING! Danger of burns.**

- when changing tools
- when setting the product down

Chips and splinters must not be removed while the product is running.

When working on walls, ceilings, or floors, take care to avoid electric cables, and gas pipes, and water pipes.

Clamp the workpiece with a clamping device. Unclamped workpieces can cause severe injury and damage.

Remove the battery pack before starting any work on the product.

### BATTERY SAFETY INSTRUCTIONS

Do not dispose of used battery packs in the household refuse or by burning them. MILWAUKEE distributors offer to retrieve old batteries to protect our environment.

Do not store the battery pack together with metal objects (short circuit risk).

Use only M18 System chargers for charging M18 System battery packs. Do not use battery packs from other systems.

Never break open battery packs and chargers, and store them only in dry rooms. Keep the battery packs and chargers dry at all times.

Battery acid may leak from damaged batteries under extreme load or extreme temperatures. In case of contact with battery acid, wash it off immediately with soap and water. In case of eye contact, rinse thoroughly for at least 10 minutes and immediately seek medical attention.

No metal parts must be allowed to enter the battery section of the charger (short circuit risk).

### ADDITIONAL BATTERY SAFETY WARNINGS

**⚠ WARNING! To reduce the risk of fire, personal injury, and product damage due to a short circuit, never immerse the product, battery pack, or charger in fluid or allow fluid to flow inside them.** Corrosive or conductive fluids, such as seawater, certain industrial chemicals, and bleach or bleach-containing products, etc., can cause a short circuit.

### SPECIFIED CONDITIONS OF USE

The product can be used to tighten and loosen nuts and bolts wherever no mains connection is available.

Do not use the product for any other purpose.

### RESIDUAL RISKS

Even when the product is used as prescribed, it is still impossible to completely eliminate certain residual risk factors. The following hazards may arise during use and the operator should pay special attention to avoid the following:

- injury caused by vibration
  - Hold the product by designated handles and restrict working time and exposure.
- hearing injury caused by exposure to noise
  - Restrict exposure and wear appropriate hearing protection
- injuries due to flying debris
  - Wear appropriate personal protective equipment, heavy long trousers, gloves, substantial footwear, and safety glasses, at all times.
- health hazards caused by breathing toxic dusts
  - Wear a mask if necessary.

### OPERATION

**NOTE:** It is recommended after fastening to always check the torque with a torque wrench.

The fastening torque is affected by a wide variety of factors including the following.

- State of battery charge – When the battery is discharged, the voltage can drop and the fastening torque can be reduced.
- Operation at speeds – Operating the product at low speeds can cause a reduction in fastening torques.
- Fastening position – Holding the product or the driving fastener in various angles can affect the torque.
- Drive accessory/socket – Failure to use the correct size accessory or socket or a non-impact rated accessory may cause a reduction in the fastening torque.
- The use of accessories and extensions – Depending on the accessory or extension fitment can reduce the fastening force of the impact wrench.
- Bolt/Nut – Fastening torques may differ according to the diameter of the nut or bolt, the class of nut/bolt, and the length of nut/bolt.
- Condition of the fastener – Contaminated, corroded, dry, or lubricated fasteners may vary the fastening torques.
- Condition and base material – The base material of the fastener and any component in between the surfaces may affect the fastening torque (dry or lubricated base, soft or hard base, disc, seal or washer between fastener and base material).

### IMPACTING TECHNIQUES

The longer a bolt, screw, or nut is impacted, the tighter it becomes.

To help prevent damaging the fasteners or workpieces, avoid excessive impacting.

Be particularly careful when impacting smaller fasteners because they require less impacting to reach optimum torque.

Practice with various fasteners, noting the length of time required to reach the preferred torque.

Check the tightness with a hand-torque wrench.

If the fasteners are too tight, reduce the impacting time.

If they are not tight enough, increase the impacting time.


Oil, dirt, rust, or other matter on the threads or under the head of the fastener affects the degree of tightness.

The torque required to loosen a fastener averages 75% to 80% of the tightening torque, depending on the condition of the contacting surfaces.

On light gasket jobs, run each fastener down to a relatively light torque and use a hand torque wrench for final tightening.

## DRIVE CONTROL

Torque values depend on many factors such as state of battery discharge, battery size, impacting time, bolt size, etc. Always check with a torque wrench to ensure that the desired torque value is achieved. This is not a precision fastening tool.

In  mode, when run in reverse, the product spins at the above RPM and IPM until the nut breaks free from the joint. Then, the product slows to 750 RPM for better control in removing the nut.

## BATTERIES

Battery packs that have not been used for some time should be recharged before use.

Temperatures in excess of 50 °C reduce the performance of the battery pack. Avoid extended exposure to heat or sunshine (risk of overheating).

The contacts of the chargers and battery packs must be kept clean.

For an optimum lifetime, the battery packs have to be fully charged after use.

To obtain the longest possible battery life, remove the battery pack from the charger once it is fully charged.

For battery pack storage longer than 30 days:

- Store the battery pack where the temperature is below 27 °C and away from moisture.
- Store the battery packs in a 30% – 50% charged condition.
- Every six months of storage, charge the pack as normal.

## BATTERY PACK PROTECTION

In extremely high torque, binding, stalling, and short circuit situations that cause high current draw, the product vibrates for about 5 seconds, the fuel gauge flashes, and then the product turns off. To reset, release the trigger.

Under extreme circumstances, the internal temperature of the battery pack could raise too much. If this happens, the fuel gauge flashes until the battery pack cools down. After the lights go off, continue working.

## TRANSPORTING LITHIUM BATTERIES

Lithium-ion batteries are subject to the Dangerous Goods Legislation requirements.

Transportation of those batteries has to be done in accordance with local, national, and international provisions and regulations.

Batteries can be transported by road without further requirements.

Commercial transport of lithium-ion batteries by third parties is subject to Dangerous Goods Regulations. Transport preparation and transport are exclusively to be carried out by appropriately trained persons and the process has to be accompanied by corresponding experts.

When transporting batteries:

- Ensure that the battery contact terminals are protected and insulated to prevent short circuit.
- Ensure that the battery pack is secured against movement within the packaging.
- Do not transport batteries that are cracked or leaking.
- Check with the forwarding company for further advice.

## CLEANING

The ventilation slots of the product must be kept clear at all times.

## MAINTENANCE

Use only MILWAUKEE accessories and MILWAUKEE spare parts. Should components that have not been described need to be replaced, contact one of our MILWAUKEE service centres (see our list of guarantee or service addresses).

If needed, an exploded view of the product can be ordered. State the product type and the serial number on the label, and order the drawing at your local service centres.

## SYMBOLS



Read the instructions carefully before starting the product.



CAUTION! WARNING! DANGER!



Remove the battery pack before starting any work on the product.

$n_0$

No-load speed

IPM

Impact range

V



Voltage



Direct current



Do not dispose of waste batteries, waste electrical and electronic equipment as unsorted municipal waste. Waste batteries and waste electrical and electronic equipment must be collected separately. Waste batteries, waste accumulators and light sources have to be removed from equipment. Check with your local authority or retailer for recycling advice and collection point. According to local regulations retailers may have an obligation to take back waste batteries and waste electrical and electronic equipment free of charge. Your contribution to re-use and recycling of waste batteries and waste electrical and electronic equipment helps to reduce the demand of raw materials. Waste batteries, in particular containing lithium and waste electrical and electronic equipment contain valuable, recyclable materials, which can adversely impact the environment and the human health, if not disposed of in an environmentally compatible manner. Delete personnel data from waste equipment, if any.

類型	衝擊扳手
電池電壓	18 V ---
無負載轉速	
模式 1	0-700/min
模式 2	0-1300/min
模式 3	0-2000/min
無負載轉速：模式  (自動關機模式)	
向前	0-900/min
向後	0-2000/min / 0-750/min
衝擊率	
模式 1	0-1300/min
模式 2	0-2200/min
模式 3	0-2400/min
緊固扭力	
模式 1	880 Nm
模式 2	1220 Nm
模式 3	1627 Nm
模式 	< 68 Nm
最大螺母擰鬆扭力	2169 Nm
主軸尺寸	12.7 毫米 (1/2 英寸)
螺栓/螺母的最大直徑	M36
根據 EPTA-Procedure 01/2014 的重量 (2.0 Ah - 12.0 Ah)	3.1 kg - 4.3 kg
建議操作環境溫度	-18 - +50 °C
建議電池類型	M18B... , M18 HB... , M18 FB
建議充電器	M12-18... , M18 DFC, M18 PC6
噪聲資訊	
依 EN 62841 所測的測量值。	
A加權聲壓量	97 dB (A)
不確定性的測量 K	3 dB (A)
A加權聲功率級	105 dB (A)
不確定性的測量 K	3 dB (A)
佩戴護耳器。	
振動資訊	
依EN 62841所測的振動總值 (三軸向量總和)。	
振動釋放值 $a_h$	24.84 m/s <sup>2</sup>
不確定性的測量 K	1.5 m/s <sup>2</sup>

### 警告！

本說明書所提供的聲明的振動總值和噪聲釋放值是依標準化測試所測得，且可能用於與另一個工具進行比較。該等級可用來初步評估風險。聲明的振動和噪聲釋放值代表的是本工具的主要應用。然而，如果用於不同的應用、使用不同的配件或保養不當，振動釋放值和噪聲釋放值也可能不同。這可能會在整個工作週期內顯著增加風險等級。

評估振動和噪聲暴露的等級還應考慮本工具關機時的時間，或當工具運轉但卻未實際使用的時間。這可能會明顯降低整個工作週期內的風險等級。

請確認額外的安全措施，以保護使用者不受振動和噪聲的影響，例如：保養工具與配件、保持手部溫暖（以防振動）和井然有序的工作方式。



**警告！**請閱讀本電動工具隨附的所有安全警告、說明、插圖及規格。不遵循這些警告和說明會導致觸電、火災和/或嚴重傷害。

將所有警告和說明保存好，方便以後查閱。

### 衝擊扳手安全警告

佩戴護耳器。暴露於噪聲中可能會導致聽力受損。

若作業時緊固件有可能接觸隱藏的電線，請握住電動工具的絕緣抓握表面。緊固件接觸火線可能會導致電動工具裸露的金屬部分帶電，可能會導致使用者觸電。

### 其他安全和工作說明

使用個人防護裝備。使用工具時，務必佩戴護目鏡。建議穿戴防護裝備，例如防塵口罩、防護手套、防滑的安全鞋、安全帽和護耳器。

使用此工具時產生的粉塵可能會影響健康。切勿吸入粉塵。戴上適當的防塵口罩。

切勿加工可能會影響健康的材料（例如石棉）。

如果使用中的工具停止運行，則立即關閉工具。不要在使用中的工具停止運行時重新啟動工具，否則可能會產生較大的反作用力導致突然反衝。確定使用中的工具停止運行的原因並及時解決，同時注意安全說明。

有可能的原因包括：

- 使用中的工具在待加工工件內傾斜；
- 使用中的工具穿透了待加工材料；
- 電動工具過載。

請勿在工具運行時將手伸入其中。

使用中的工具邊緣鋒利，在使用過程中會變熱。

**警告！**有灼傷的危險：

- 當更換使用中的工具及
- 放下工具時。

當工具仍在運轉時，切勿清除工具上的木屑或金屬碎片。

在牆壁、天花板或地板上作業時，注意避開電線、燃氣或自來水管道。使用夾緊裝置固定好工件。未夾緊的工件可能會導致嚴重傷害和損傷。對工具進行任何工作前，先移除電池組。

### 電池組安全說明

請勿將用過的電池組與家庭廢棄物混合或燃燒電池組。MILWAUKEE 經銷商提供舊電池組回收，以保護我們的環境。

請勿將電池組與其他金屬物品一起存放（可能引起短路）。

僅可使用 M18 系統充電器對 M18 系統電池組進行充電。請勿使用其他系統的電池組。

不可拆開電池組和充電器。電池組和充電器必須儲藏在乾燥的空間，勿讓濕氣滲入。必須經常保持乾燥。

在極端負載或極端溫度下，損壞的電池組可能滲出內部酸液。若碰觸到電池組酸液，請即刻用肥皂與清水沖洗乾淨。若酸液接觸到眼睛，以清水徹底沖洗至少10分鐘後立即就醫。

切勿讓金屬部份接觸充電器的電池組部份（有短路危機）。

### 附加電池組安全警告

**警告！**為了減少因短路而導致火災、人身傷害和工具損壞的風險，請勿將工具、電池組或充電器浸沒在流體中或使流體流入其中。腐蝕性或導電性流體（如海水、某些工業化學品、以及漂白劑或含漂白劑的產品等）都會導致短路。

### 特定使用條件

本工具可於沒有連接市電情況下擰緊和鬆開螺母和螺栓。

請勿將本工具用於任何其他目的。

### 殘餘風險

即便已按規定使用工具，仍然不可能完全消除某些殘留的風險因素。使用時可能會出現以下危險，使用者應特別注意以下事項：

- 振動引起的損傷
  - 握住工具指定的把手，並限制工作時間的長短及暴露風險。
- 因接觸噪聲導致聽力傷害
  - 限制接觸時間的長短和佩戴適當的聽力保護設備。
- 因飛濺的碎片而受傷
  - 務必每刻都穿戴適當的個人防護設備，厚的長褲、手套、結實的鞋類和安全眼鏡。
- 因吸入有毒的粉塵所導致的健康危害
  - 必要時可佩戴防護口罩。

### 操作

注意：建議在緊固後務必以扭力扳手檢查扭力。

緊固扭力受多種因素影響，包括以下因素：

- 電池充電狀態 — 當電池放電時，電壓會下降，緊固扭力會降低。
- 運行速度 — 以低速運行工具會降低扭力緊固。
- 緊固位置 — 以不同角度握持工具或擰緊緊固件會影響扭力。
- 搭配的配件/套筒 — 使用不正確尺寸的配件或套筒，或非衝擊型配件可能會導致緊固扭力降低。
- 使用配件和延長件 — 根據配件和延長件的不同，配件會降低衝擊扳手的緊固力。
- 螺栓/螺母 — 緊固扭力可能因螺母或螺栓的直徑、類別及長度的不同而產生變化。
- 緊固件的狀況 — 污染、腐蝕、乾燥或潤滑的緊固件可能會改變緊固扭力。
- 條件和基礎材料 — 緊固件的基礎材料以及表面之間的任何部件都可能影響緊固扭力（乾燥或潤滑的基礎材料、軟或硬的基礎材料、在緊固件及基礎材料之間的圓盤、密封件或墊圈）。

### 衝擊技術

螺栓、螺釘或螺母受衝擊的時間越長，則擰得越緊。

為防止損壞緊固件或工件，請避免過度衝擊。

衝擊較細小的緊固件要格外小心，因為它們需要較小的衝擊力才能達到最佳扭力。

熟習各種緊固件，注意達到所需扭力的時間。

以手動扭力扳手檢查鬆緊度。

如果緊固件太緊，則不會出現下垂，可以縮短衝擊時間。

如果它們不夠緊，則增加衝擊時間。


緊固的程度受螺紋上或緊固件頭部下方的油污、髒物、鏽蝕或其他物質影響。

鬆開緊固件所需的扭力平均為擰緊扭力的 75% - 80%，具體取決於接觸表面的情況。

在輕型墊圈工作中，將每個緊固件下降到相對較小的扭力，然後以扭動手動扭力扳手作最終擰緊。

### 驅動控制技術

扭力值取決於許多因素，例如電池放電狀態、電池尺寸、衝擊時間、螺栓尺寸等。務必使用扭力扳手檢查以確保達到所需的扭力值。這不是精密緊固工具。

在  模式，反向運行時，產品以上述 RPM 和 IPM 旋轉，直到螺母從從頭上脫落。然後，產品減慢至 750 RPM，以便更好地控制拆卸螺母。

### 電池組

久未使用的電池組必須重新充電後再使用。

超過 50 °C 的高溫會降低電池組的效能。避免暴露於高溫或陽光下（可能導致過熱）。

充電器和電池組的接觸點處應保持清潔。

為確保最佳電池組使用壽命，電池組使用後應再完全充電。

為確保電池組的最長壽命，充電完成後，請勿將電池組繼續留在充電器上。

電池組儲存時間長於30日：

- 將電池組存放在溫度低於27 °C的環境，且避免受潮；
- 將電池組保持在充電量30% - 50%的狀態
- 存放中的電池組應每六個月照常充電一次。

#### 電池組過載保護

因一些諸如極高的扭力、外物附著、突然停機和線路短路發生的情況下，會導致高電流消耗此等情況下，工具將振動約5秒，電量計閃爍，然後工具將停止及關閉。如要重置，鬆開扳機。

在極端情況下，電池組內部的溫度可能變得太高。如果發生這種情況，電量計會閃爍直至電池組冷卻下來。燈熄滅後，可以繼續工作。

#### 運輸鋰電池組

鋰離子電池組須受制於危險品法例的要求。

運送鋰電池組必須在符合當地、國家及國際標準及法例的情況下進行。

使用者可於陸地上運送電池組而毋須受限；

第三方負責的商業式鋰電池組運送須受制於危險品法例。運送的預備及過程必須由受專業訓練的人士進行，亦必須得到專家在場監管。

運送電池組時：

- 請確保電池組接觸端子受到嚴密保護及經過絕緣，防止短路；
- 請確保電池組妥善包裝，防止碰撞磨擦；
- 切勿運送已有裂痕或已有洩漏的電池組。
- 建議與速遞公司緊密聯繫以獲得進一步資訊。

#### 清潔

本產品的通風孔必須時刻保持暢通。

#### 維修

只能使用 MILWAUKEE 配件和備件。如果需要更換的組件在此沒有介紹，請與其中一個 MILWAUKEE 服務代理機構聯繫（參見我們的維修/服務地址列表）。

如果需要，可以訂閱工具的分解圖。諮詢圖件時，請您向當地的顧客服務中心提供以下資料：銘牌上的工具號碼及機型。

#### 符號



啟動工具前，請仔細閱讀本說明。



注意！警告！危險！



對工具進行任何工作前，先移除電池組。

$n_0$  無負載轉速

IPM 衝擊率

V 電壓

— — — 直流電





請勿將廢電池組、廢電器、廢電子設備等廢棄物作為未分類城市廢棄物進行處理。必須分開回收廢電池組、廢電器及廢電子設備。

廢鋰電池組、廢電池組和燈源必須從設備上拆下。請與當地相關部門或經銷商聯繫，了解回收建議和收集地點。

根據地區規定，零售商有義務免費回收廢電池組、廢電器和廢電子設備。

您對重用及回收廢電池組、廢電器及廢電子設備作出貢獻，有助於減少原料需求。廢電池組，特別是含有鋰和含有可回收利用的有價值物質的廢電器、廢電子設備，如果不以與環境兼容的方式廢棄，可能會對環境和人類健康產生不良影響。

如果廢電子設備中有任何個人數據，請在棄置前刪除。

类型	冲击扳手
电池电压	18 V ---
无负载转速	
模式 1	0-700/min
模式 2	0-1300/min
模式 3	0-2000/min
无负载转速: 模式  (自停模式)	
向前	0-900/min
向后	0-2000/min / 0-750/min
冲击率	
模式 1	0-1300/min
模式 2	0-2200/min
模式 3	0-2400/min
紧固扭力	
模式 1	880 Nm
模式 2	1220 Nm
模式 3	1627 Nm
模式 	< 68 Nm
最大螺母拧松扭力	2169 Nm
工具夹头	12.7 毫米 (1/2 英寸)
螺栓/螺母的最大直径	M36
根据 EPTA-Procedure 01/2014 的重量 (2.0 Ah - 12.0 Ah)	3.1 kg - 4.3 kg
建议操作环境温度	-18 - +50 °C
建议电池类型	M18B..., M18 HB..., M18 FB
建议充电器	M12-18..., M18 DFC, M18 PC6
噪声信息	
根据EN 62841 条文确定的测量值。	
A-值音压值	97 dB (A)
不确定性的测量 K	3 dB (A)
A-值声功率值	105 dB (A)
不确定性的测量 K	3 dB (A)
佩戴护耳器。	
振动信息	
依欧盟EN 62841 标准确定的振动总值 (三方向矢量和)。	
振动值 $a_h$	24.84 m/s <sup>2</sup>
不确定性的测量 K	1.5 m/s <sup>2</sup>



## 警告!

本说明书所提供的声明的振动总值和噪声释放值是依标准化测试所测得, 且可能用于与另一个工具进行比较。该等级可用来初步评估风险。声明的振动和噪声释放值代表的是本工具的主要应用。然而, 如果用于不同的应用、使用不同的配件或保养不当, 振动释放值和噪声释放值也可能不同。这可能会在整个工作周期内显著增加风险等级。评估振动和噪声暴露的等级还应考虑本工具关机时的时间, 或当工具运转但却未实际使用的时间。这可能会明显降低整个工作周期内的风险等级。

请确认额外的安全措施, 以保护使用者不受振动和噪声的影响, 例如: 保养产品与配件、保持手部温暖和井然有序的工作方式。

**警告！** 阅读此电动工具提供的所有安全警告、说明、插图和说明。不遵循这些警告和说明会导致触电、火灾和/或严重伤害。

保存好所有警告和说明书以备查阅。

### 冲击扳手安全警告

冲击钻孔时，戴好耳罩。暴露在噪声中可能会导致听力受损。

当作业时紧固件可能接触隐藏的接线或自己的电线时，只能握住电动工具的绝缘抓握。紧固件接触火线可能会导致电动工具裸露的金属部分带电，可能会导致操作人员触电。

### 其他安全和工作说明

使用个人防护装备。使用工具时，务必佩戴护目镜。建议穿戴防护装备，例如防尘罩、防护手套、防滑的安全鞋、安全帽和护耳器。

使用此工具时产生的粉尘可能会影响健康。切勿吸入粉尘。戴上适当的防尘口罩。

切勿加工可能会影响健康的材料（例如石棉）。

如果使用中的工具停止运行，则立即关闭工具。不要在使用中的工具停止运行时重新启动工具，否则可能会产生较大的反作用力导致突然反弹。确定使用中的工具停止运行的原因并及时解决，同时注意安全说明。

有可能的原因包括：

- 使用中的工具在待加工工件内倾斜；
- 使用中的工具穿透了待加工材料；
- 电动工具过载。

工具运行时，切勿伸入它的内部。

使用过程中，运转中的产品会发热。

**警告！** 有灼伤的危险：

- 当处理插入的工具及
- 放下产品时。

当电动工具仍在运转，切勿清除其上的木屑或金属碎片。

在墙壁、天花板或地板上作业时，注意避开电线、燃气或自来水管。

使用夹紧装置固定好工件。未夹紧的工件可能会导致严重伤害和损伤。

对产品进行任何工作前，先移除电池组。

### 电池组安全说明

用过的电池组不可以丢入火中或一般的家庭垃圾中。美沃奇经销商提供旧电池组回收，以保护我们的环境。

电池组不可以和金属物体存放在一起（可能产生短路）。

M18 系列的电池组只能和 M18 系列的充电器配合使用。不可以使用其他系列的电池组。

不可拆开电池组和充电器。电池组和充电器必须储藏在干燥的空间，勿让湿气渗入。必须经常保持干燥。

在过度超荷或极端的温度下，可能从损坏的电池组中流出液体。如果触摸了此液体，必须马上使用肥皂和大量清水冲洗。如果此类液体侵入眼睛，马上用清水彻底清洗眼睛（冲洗至少10分钟），接着即刻就医治疗。

切勿让金属部分接触充电器的电池组部份（有短路危机）。

### 附加电池组安全警告

**警告！** 为了减少因短路而导致火灾、人身伤害和产品损坏的风险，请勿将工具、电池组或充电器浸没在流体中或使流体流入其中。腐蚀性或导电性流体（如海水、某些工业化学品、以及漂白剂或含漂白剂的产品等）都会导致短路。

### 特定使用条件

本工具可于没有连接交流电情况下拧紧和松开螺母和螺栓。

请勿将本产品用于任何其他目的。

### 其他风险

即使工具按规定使用，依然无法完全消除某些剩余风险因素。使用过程中可能出现以下危险，操作者应注意避免：

- 振动引起的损伤
  - 握住工具指定的把手，并限制工作时间和暴露风险。
- 因接触噪声导致听力伤害
  - 限制接触时长并佩戴合适的听力防护设备。
- 因飞溅的碎片而受伤
  - 务必每刻都穿戴适当的个人防护设备，厚的长裤、手套、结实的鞋类和安全眼镜。
- 吸入有毒的粉尘而导致的健康危险
  - 在必要的情况下请佩戴防护面具。

### 操作

注意：建议在紧固后务必以扭力扳手检查扭力。

紧固扭力受多种因素影响，包括以下因素：

- 电池充电状态 - 当电池放电时，电压会下降，紧固扭力会降低。
- 运行速度 - 以低速运行产品会降低紧固扭力。
- 固定位置 - 以不同角度握持工具或驱动紧固件会影响扭力。
- 配件及套筒 - 使用不正确的配件或套筒，或未受冲击的附件可能会导致扭力紧固降低。
- 使用配件及延长件 - 根据配件或延长件的不同，配件会降低冲击扳手的紧固力。
- 紧固扭力力可能因螺母或螺栓的直径、类别及长度产生变化。
- 紧固件的状况 - 污染、腐蚀、干燥或润滑的紧固件可能会改变紧固扭力。
- 条件和基础材料 - 紧固件的基础材料以及表面之间的任何组件都可能影响紧固扭力（干燥或润滑的基础材料、软或硬的基础材料、在紧固件及基础材料之间的圆盘、密封件或垫圈）。

### 冲击技术

螺栓、螺钉或螺母受冲击的时间越长，则拧得越紧。

为防止损坏紧固件或工件，请避免过度冲击。

冲击较细小的紧固件要格外小心，因为它们需要较小的冲击才能达到最佳扭力。

熟习各种紧固件，注意达到所需扭力的时间。

以扭力扳手检查松紧度。

如果紧固件太紧，则不会出现下垂，可以缩短冲击时间。

如果它们不够紧，则增加冲击时间。


紧固的程度受螺纹上或紧固件头部下方的油污、脏物、锈蚀或其他物质影响。

取决于接触表面的情况，松开紧固件所需的扭力平均为拧紧扭力的75%至80%。

在轻型垫圈工作中，将每个紧固件下降到相对较小的扭力，然后以扭力扳手作最终拧紧可见的链条。

### 驱动控制

扭力值取决于许多因素，例如电池放电状态、电池尺寸、冲击时间、螺栓尺寸等。务必使用扭力扳手检查以确保达到所需的扭力值。这不是精密紧固工具。

在  模式，反向运行时，产品以上述 RPM 和 IPM 旋转，直到螺母从螺杆上脱落。然后，产品减慢至 750 RPM，以便更好地控制拆卸螺母。

### 电池组

长期存放的电池组必须先充电再使用。

超过50 °C 的高温会降低电池组的效能。避免暴露于高温或阳光下（可能导致过热）。

充电器和电池组的接触点处应保持清洁。

为获得最长寿命，使用后应把电池组充满电。

为确保最长使用寿命，充电后应把电池组从充电器中取出。

电池组储藏时间大于30天的存放要求：

- 环境温度低于27 °C的阴凉干燥处存放电池组；
- 电池组状态为30% - 50%电量下存储电池组；
- 每6个月给电池组充电1次。

#### 电池组超载保护

因一些诸如极高的扭力、外物附着、突然停机和线路短路发生的情况下，会导致高电流消耗。此等情况下，产品将振动约5秒，电池组灯闪烁，然后产品将停止及关闭。如要重置，松开扳机。

在极端情况下，电池组的内部温度可能会变高。如果发生这种情况，电池灯会闪烁，直至电池组冷却下来。灯熄灭后，可以继续工作。

#### 锂电池组的运输

锂电池组属于危险货品并受制于危险货品运输条例。

此电池组的运输必须遵守地方、国家和国际法律规定。

用户在公路上运输此电池组不必遵守特殊规定；

锂电池组的商业性运输受制于危险货品运输条例的规定。运输准备和运输必须由受过专业培训的人员进行。全程必须由专业人员监督。

运输电池组时必须注意到下列事项：

- 为避免短路，必须确保电池组接点的防护和绝缘；
- 确保包装中的电池组包不会滑动；
- 严禁运输已损坏或已产生泄漏的电池组。
- 更多运输建议请联系运输公司。

#### 清洁

本产品的通风孔必须时刻保持畅通。

#### 维修

只能使用美沃奇的附件和零件。如果需要更换未描述的组件，请联系我们的美沃奇服务代理（请参阅我们的认可/维修的地址列表）。

如果需要，可以索取产品的分解图。在标签上注明产品类型和序列号，然后在当地服务中心订购图纸。

#### 符号



启动产品前，请仔细阅读本说明书。



注意！警告！危险！



对产品进行任何工作前，先移除电池组。

$n_0$

空载转速

IPM

冲击率

V

电压



直流电





请勿将废电池组、废电器、废电子设备等废弃物作为未分类城市废弃物进行处理。必须分开回收废电池组、废电器及废电子设备。

废锂电池组、废电池组和灯源必须从设备上拆下。请与当地相关部门或经销商联系，了解回收建议和收集地点。

根据地区规定，零售商有义务免费回收废电池组、废电器和废电子设备。

您对重用及回收废电池组、废电器及废电子设备作出贡献，有助于减少原料需求。废电池组，特别是含有锂和含有可回收利用的有价值物质的废电器、废电子设备，如果不以与环境兼容的方式废弃，可能会对环境和人类健康产生不良影响。

如果废电子设备中有任何个人数据，请在弃置前删除。

기술 데이터		M18 FHIW2F12
유형		무선 충격 렌치
배터리 전압		18 V ---
무부하 속도		
모드 1		0-700/min
모드 2		0-1300/min
모드 3		0-2000/min
무부하 속도: 모드  (자동 차단 모드)		
전진		0-900/min
후진		0-2000/min / 0-750/min
임팩수		
모드 1		0-1300/min
모드 2		0-2200/min
모드 3		0-2400/min
최대 조임 토크		
모드 1		880 Nm
모드 2		1220 Nm
모드 3		1627 Nm
모드 		< 68 Nm
최대 너트 버스팅 토크 값		2169 Nm
앵클 크기		12.7mm (1/2인치)
볼트/너트 최대 직경		M36
EPTA 규정 01/2014에 따른 총량(2.0 Ah - 12.0 Ah)		3.1 kg - 4.3 kg
권장 주변 작동 온도		-18 - +50 °C
권장 배터리 팩		M18B..., M18 HB..., M18 FB
권장 충전기		M12-18..., M18 DFC, M18 PC6
소음 정보		
EN 62841에 따라 결정되는 소음 방출 값		
가중치 음압 레벨		97 dB (A)
불확정성 K		3 dB (A)
가중치 음향 파워 레벨		105 dB (A)
불확정성 K		3 dB (A)
항상 보안경을 착용하십시오.		
진동 정보		
EN 62841에 따라 판별한 전체 진동 값(3개 축의 벡터 합계).		
진동 방출 값 $a_n$		24.84 m/s <sup>2</sup>
불확정성 K		1.5 m/s <sup>2</sup>

### 경고!

이 지침 설명서에 표시되어 있는 진동 총 수치와 소음 방출 수치는 표준화된 테스트에 따라 측정되었으며 공구끼리 서로 비교하는 데 사용할 수 있습니다. 노출 예비 평가에 사용할 수 있습니다.

표시된 진동 및 소음 방출 수치는 공구의 주 용도로 사용 시에 측정된 값을 나타냅니다. 하지만 공구를 다른 용도로 사용하거나, 다른 부속품과 함께 사용하거나, 부실하게 유지보수할 경우에는 진동 및 소음 방출 수준이 달라질 수 있습니다. 이런 조건은 총 작업 시간에 대한 노출 수준을 상당히 증가시킬 수 있습니다.

진동 및 소음 노출 수준을 추정할 때는 공구의 전원을 끄거나 공회전되는 시간을 고려해야 합니다. 이런 조건은 총 작업 시간에 대한 노출 수준을 상당히 감소시킬 수 있습니다.

공구와 부속품의 유지, 손의 보온 상태 유지(진동의 경우), 작업 패턴 구성과 같이, 작업자를 진동 및 소음의 영향으로부터 보호하기 위한 추가 안전 대책을 파악하십시오.

**⚠ 경고!** 공구와 함께 제공된 제반 안전 경고, 사용 설명서, 그림 및 사양을 숙지하십시오. 아래의 지침을 따르지 않으면 전기 충격, 화재 및 중대한 부상을 초래할 수 있습니다.

항후 참조할 수 있도록 경고 문구와 설명서를 잘 보관해 두십시오.

### 충격 렌치 안전 경고

귀머개를 착용하십시오! 소음에 노출되면 청력 손상을 입을 수 있습니다.

패스너가 숨겨진 배선과 접촉할 수 있는 작업을 수행할 때에는 반드시 절연 처리된 손잡이 부분을 잡으십시오. 패스너가 흐르는 전선에 닿으면 전동 공구의 노출된 금속 부품에 흘러 작업자가 감전될 수 있습니다.

### 추가적인 안전 및 작업 지침

보호 장구를 착용하십시오. 제품을 사용하여 작업 수행 시 항상 보안경을 착용하십시오. 방호복 사용이 권고됨. 예: 분진 마스크, 방호 장갑, 견고하고 미끄럼 방지 신발, 헬멧, 방음장치

이 공구를 사용할 때 발생하는 분진은 건강에 해로울 수 있습니다. 그러한 분진을 흡입하지 마십시오. 적합한 분진 보호 마스크를 착용하십시오.

건강에 위험을 초래하는 물질(예를 들어 석면)을 대상으로 기계 작업을 하지 마십시오.

공구가 멈추면 즉시 장치를 끄십시오. 공구가 멈춘 상태에서 다시 장치를 켜지 마십시오. 강한 반작용력으로 갑작스럽게 반동할 수 있습니다. 공구가 왜 멈추었는지 파악하고 안전 지침에 주의해서 문제를 해결합니다.

가능한 원인:

- 대상 작업물에서 삽입 공구가 기울어져 있습니다.
- 가공 대상 작업을 관통했습니다.
- 전동 공구가 과부하되었습니다.

기계가 작동하는 동안 손대지 마십시오.

공구는 사용 중에 매우 뜨거울 수 있습니다.

### ⚠ 경고! 화재 위험.

- 공구를 교환할 때
- 장치를 내려놓을 때

기계가 작동 중일 때 잘린 조각이나 파편을 제거하면 안 됩니다. 벽, 천장, 바닥에서 작업할 때는 전기 케이블, 가스관, 수도관을 피하도록 주의하십시오.

고정 장치로 작업물을 고정시킵니다. 작업물이 고정되지 않으면 중상 또는 파손을 일으킬 수 있습니다.

제품 분리 혹은 청소 전, 배터리 팩을 제거하십시오.

### 배터리 관련 안전 지침

사용된 배터리 팩을 가정용 쓰레기와 함께 폐기하거나, 태우지 마십시오. 밀워키 전동공구 유통회사들에서 환경 보호를 위해 폐기할 배터리를 회수하는 것을 제안드립니다.

배터리 팩을 금속 물체와 함께 보관하지 마십시오(단락 회로 위험).

M18 시스 배터리 팩을 충전하려면 M18 시스 충전기만 사용하십시오. 다른 시스템의 배터리 팩을 사용하지 마십시오.

배터리 팩과 충전기를 개방하지 말고, 건조한 곳에 보관하십시오. 배터리 팩과 충전기는 항상 건조한 상태로 유지하십시오.

극심한 부하 또는 극심한 온도 조건에서 손상된 배터리로부터 배터리 산이 누출될 수 있습니다. 배터리 산과 접촉할 경우, 비누물로 즉시 세척하십시오. 눈과 접촉할 경우, 최소 10분 동안 철저히 세정한 후 즉각적인 의료 조치를 취하십시오.

충전기의 배터리 부위에 어떤 금속 조각도 들어가는 안됩니다(합선 위험이 있습니다).

### 추가 배터리 안전 주의 사항

**⚠ 경고!** 단락 회로로 인한 화재, 작업자 부상 및 제품 손상 위험을 줄이려면 제품, 배터리 팩 또는 충전기를 유체에 침수시키거나 유체가 내부로 흘러들어가지 않도록 해야 합니다. 해수, 특정한 산업용 화학 물질 및 표백제 또는 표백제 함유 제품 같은 부식성 또는 전도성 유체 등은 단락 회로를 야기할 수 있습니다.

### 지정된 사용 조건

메인 연결 장치가 없는 곳에서 제품을 사용하여 너트와 볼트를 조이고 풀 수 있습니다.

다른 목적으로 제품을 사용하지 마십시오.

### 잔류 위험

제품을 설명서대로 사용하더라도 위험 요소를 완전히 제거하는 것은 여전히 불가능합니다. 제품 사용 중 다음과 같은 위험 요소가 발생할 수 있으며, 작업자는 다음 사항을 회피하기 위해 세심한 주의를 기울여야 합니다.

- 진동으로 인한 부상
  - 지정된 핸들을 이용해 제품을 붙잡아 사용하고 작업 시간과 진동에 대한 노출을 적절히 제한하십시오.
- 소음 노출로 인한 청력 저하 청각 장애.
  - 소음에 대한 노출을 억제하고 적절한 청각 보호장치를 착용합니다.
- 튀어 나오는 파편으로 인한 부상
  - 항상 적절한 보호 장구, 두툼고 긴 바지, 장갑, 튼튼한 신발 및 보안경을 착용하십시오.
- 독성 먼지 흡입으로 인한 건강 위험
  - 필요할 경우 마스크를 착용하십시오.

### 작동

참고: 조임 후 토크 렌치를 사용하여 항상 토크를 확인하는 것이 좋습니다.

조임 토크는 다음을 비롯한 다양한 요소의 영향을 받습니다.

- 배터리 충전 상태 - 배터리가 방전되면 전압이 떨어지고 조임 토크가 감소합니다.
- 속도에 따른 작동 상태 - 저속에서 제품을 작동하면 조임 토크가 감소합니다.
- 조임 위치- 제품이나 구동 고정공구를 여러 각도로 유지하면 토크에 영향을 미칩니다.
- 구동 액세서리/소켓 - 올바른 크기의 액세서리나 소켓 또는 충격에 영향을 받지 않는 액세서리를 사용하지 않을 경우 조임 토크가 감소할 수 있습니다.
- 액세서리 및 익스텐션 사용 - 액세서리 또는 익스텐션을 사용하여 결합하면 충격 렌치의 고정력이 감소할 수 있습니다.
- 볼트/너트 - 너트 또는 볼트의 직경, 너트/볼트 등급 및 너트/볼트 길이에 따라 조임 토크가 달라질 수 있습니다.
- 패스너 상태 - 오염되었거나, 부식되거나, 건조되었거나 윤활 처리된 패스너는 조임 토크를 변경시킬 수 있습니다.
- 조건 및 기본 재료 - 패스너의 기본 재료 및 표면 사이의 모든 구성 요소는 조임 토크(건조되거나 윤활 처리된 기본 재료, 연결 또는 경질 기본 재료, 디스크, 밀봉재 또는 패스너와 기본 재료 사이의 외역)에 영향을 줄 수 있습니다.

### 충격 기법

볼트, 나사 또는 너트를 더욱 오래 충격할 경우, 더욱 조심해줍니다. 패스너 또는 작업편이 손상되지 않도록 하려면 과도한 충격을 가하지 마십시오.

약간의 충격만으로 최적의 토크값에 도달하므로 소형 패스너를 충격할 때 세심한 주의를 기울이십시오.

원하는 토크값에 도달하는 데 소요되는 시간을 기록하면서 다양한 패스너를 사용하여 연습해 보십시오.

수동 토크 렌치를 사용하여 조임 상태를 확인하십시오.  
 패스너가 너무 짝 조여진 경우, 충격 시간을 줄입니다.  
 충분히 짝 조여지지 않은 경우, 충격 시간을 늘립니다.  
 나사산이나 패스너 헤드 아래의 오일, 먼지, 녹 또는 기타 물질은  
 조임 정도에 영향을 미칩니다.  
 패스너를 느슨하게 푸는 데 필요한 토크값은 평균적으로 접촉면의  
 조건에 따라 조임 토크값의 75%~80%에 해당합니다.  
 가벼운 개스킷 작업 수행 시, 개별 패스너를 상대적으로 낮은  
 토크값까지 낮추고 수동 토크 렌치를 사용하여 최종적으로  
 조입니다.

### 구동 제어

토크 값은 배터리 방전 상태, 배터리 크기, 충격 시간, 볼트 크기 등  
 여러 요인에 따라 달라집니다. 항상 토크 렌치를 점검하여 원하는  
 토크 값에 도달했는지 확인하세요. 본 공구는 정밀 조임 공구가  
 아닙니다.

**!** 모드에서 역방향으로 작동하면 너트가 조인트에서 분리될  
 때까지 제품이 위의 RPM과 IPM으로 회전합니다. 그런 다음, 너트  
 제거 시 더 나은 제어를 위해 제품이 감소된 750RPM까지 속도를  
 낮춥니다.

### 배터리

오랫 동안 사용하지 않은 배터리 팩은 사용하기 전에 충전해야  
 합니다.  
 50 °C를 초과하는 온도는 배터리 팩의 성능을 저하시킵니다. 열이나  
 햇볕에 오래 노출시키지 마십시오(과열 위험).

충전기 접점 및 배터리 팩을 청결한 상태로 유지해야 합니다.  
 최적의 수명을 보장하려면 사용한 후에 배터리 팩을 완전히  
 충전해야 합니다.

배터리 수명을 최대한 연장하려면 완전히 충전된 경우 충전기에서  
 배터리 팩을 제거하십시오.

30일 이상 배터리 팩을 보관하는 경우:

- 온도가 27 °C 이하이며 습기가 없는 장소에 배터리 팩을  
 보관하십시오.
- 배터리 팩을 30% ~ 50% 충전된 조건으로 보관하십시오.
- 보관한지 6개월이 경과할 때마다 팩을 정상적으로 충전하십시오.

### 배터리 팩 보호

매우 높은 토크에서, 고전류 드로우를 야기하는 결속, 실속 및  
 단락 회로 상황이 발생하고, 공구가 약 5초 동안 진동하며 연료  
 게이지가 깜박인 다음, 공구가 꺼집니다. 재설정하려면 트리거를  
 해제하십시오.

극심한 환경 조건에서, 배터리 팩의 내부 온도가 급격히 상승할 수  
 있습니다. 온도가 급격히 상승하면 배터리 팩이 냉각될 때까지 연료  
 게이지가 깜박입니다. 조명이 꺼진 후 작업을 계속 진행하십시오.

### 리튬 배터리의 운송

리튬 이온 배터리는 위험물 법률 요건의 적용을 받습니다.  
 이 배터리는 현지, 국내 및 국제 규정과 법규에 따라 운송해야  
 합니다.

배터리는 추가 요구 사항 없이 도로를 통해 운송할 수 있습니다.

타사 리튬 이온 배터리의 상업적 운송은 위험물 규정에 따릅니다.  
 운송 준비 및 운송 작업은 적절히 교육을 이수한 개인만 수행해야  
 하고 그 과정에 해당 전문가가 동행해야 합니다.

배터리 운송 시:

- 배터리 접촉면을 보호 및 차단하여 합선 위험을 방지하십시오.
- 배터리 팩이 포장 내에서 움직이지 않도록 고정시키십시오.
- 균열 또는 누출이 있는 배터리는 운송하지 마십시오.
- 추가 지침은 운송 회사에 확인하십시오.

### 청소

제품의 통기구를 항상 깨끗하게 유지해야 합니다.

### 유지 관리

반드시 MILWAUKEE 부속품과 MILWAUKEE 예비품을  
 사용하십시오. 언급하지 않은 구성 부품을 교체해야 하는 경우  
 MILWAUKEE 서비스 센터 중 한 곳에 문의하십시오(보증/서비스  
 주소 목록 참조).

필요 시, 제품의 분해 조립도를 주문할 수 있습니다. 라벨에  
 인쇄되어 있는 제품 유형과 6자리 번호를 알려주고 현지 서비스  
 대리점에서 도면을 주문하십시오.

### 기호



제품 사용 전, 설명서를 자세히 읽으십시오.



주의! 경고! 위험!



제품 분리 혹은 청소 전, 배터리 팩을 제거하십시오.

$n_0$

무부하 속도

IPM

충격 범위

V

전압





직류



폐 배터리, 폐 전기 및 전자 장비를 분류되지 않은  
 가정용 폐기물로 처리하지 마십시오. 폐 배터리와  
 폐 전기 및 전자 장비는 별도로 수거해야 합니다. 폐  
 배터리, 폐기물 어큐레이터 및 광원은 장비에서  
 제거해야 합니다. 재활용에 관한 조건과 수거  
 지침에 대해서는 지방 정부당국이나 소매업자에게  
 확인하십시오. 현지 규정에 따라 소매업체는 폐  
 배터리와 폐 전기 및 전자 장비를 무상으로 회수할  
 의무가 있을 수 있습니다. 폐 배터리와 폐 전기 및  
 전자 장비를 재사용하고 재활용하면 원자재 수요를  
 줄이는 데 도움이 됩니다. 특히 리튬이 포함된  
 폐 배터리와 폐 전기 및 전자 장비에는 가치 있고  
 재활용 가능한 재료가 포함되어 있어 환경 친화적인  
 방식으로 폐기하지 않으면 환경과 인간의 건강에  
 악영향을 끼칠 수 있습니다. 해당하는 경우, 폐  
 장비에서 개인 데이터를 삭제합니다.



ประเภทผลิตภัณฑ์	บล็อกกระแสแบบไร้สาย
แรงดันไฟแบตเตอรี่	18 V ---
ความเร็วรอบเปล่า	
โหมด 1	0-700/min
โหมด 2	0-1300/min
โหมด 3	0-2000/min
ความเร็วรอบเปล่า: โหมด  (โหมดตัดการท่างานอัตโนมัติ)	
ไปข้างหน้า	0-900/min
ย้อนกลับ	0-2000/min / 0-750/min
อัตราแรงกระแส	
โหมด 1	0-1300 /min
โหมด 2	0-2200 /min
โหมด 3	0-2400 /min
แรงบิดการขันสกรู	
โหมด 1	880 Nm
โหมด 2	1220 Nm
โหมด 3	1627 Nm
โหมด 	< 68 Nm
แรงบิดสูงสุดในการคลายน็อต	2169 Nm
ขนาดแกนหัวจับดอก	12.7 มม. (1/2 นิ้ว)
เส้นผ่าศูนย์กลางสูงสุดของสลัก/น็อต	M36
น้ำหนักตามขั้นตอนของ EPTA 01/2014 (2.0 - 12.0 Ah)	3.1 kg – 4.3 kg
อุณหภูมิในการทำงานที่แนะนำ	-18 – +50 °C
แบตเตอรี่แนะนำ	M18B..., M18 HB..., M18 FB
แท่นชาร์จที่แนะนำ	M12-18..., M18 DFC, M18 PC6

### ข้อมูลเกี่ยวกับเสียงรบกวน

ค่าการปล่อยเสียงรบกวนที่กำหนดตามมาตรฐาน EN 62841

ระดับแรงดันของเสียงที่ถ่วงน้ำหนัก A	97 dB (A)
ค่า K แปรผัน	3 dB (A)
ระดับกำลังของเสียงที่ถ่วงน้ำหนัก A	105 dB (A)
ค่า K แปรผัน	3 dB (A)

ใส่อุปกรณ์ป้องกันดวงตาระหว่างใช้งาน

### ข้อมูลเกี่ยวกับการสั่น

ค่าการสั่นสะเทือนรวม (ผลรวมเวกเตอร์ในสามแกน) ที่กำหนดตาม EN 62841

ค่าการปล่อยการสั่นสะเทือน $a_{hh}$	24.84 m/s <sup>2</sup>
ค่า K แปรผัน	1.5 m/s <sup>2</sup>



### คำเตือน!

ค่าระดับการสั่นสะเทือนรวมที่ระบุและค่าระดับเสียงดังรบกวนที่ระบุในเอกสารคู่มือการใช้งานฉบับนี้ได้รับการวัดผลตามการทดสอบที่เป็นไปตามมาตรฐานและอาจนำไปใช้เพื่อเปรียบเทียบเครื่องมือหนึ่งๆ กับผลิตภัณฑ์เครื่องมืออื่น สามารถใช้สำหรับการประเมินความเสี่ยงในเบื้องต้น

ค่าการสั่นสะเทือนและการเสียงดังรบกวนที่ระบุเป็นข้อมูลสำหรับการใช้งานหลักของเครื่องมือ อย่างไรก็ตาม หากเครื่องมือถูกใช้งานผิดประเภท กับอุปกรณ์เสริมที่แตกต่างกัน หรือการบำรุงรักษาไม่ดีพอ ระดับการสั่นสะเทือนและเสียงดังรบกวนอาจจะแตกต่างกันออกไป สภาพเหล่านี้อาจทำให้ระดับความเสี่ยงเพิ่มขึ้นอย่างมีนัยสำคัญตลอดช่วงระยะเวลาการทำงานทั้งหมด


ควรพิจารณาประเมินระดับความเสี่ยงของการสั่นและเสียงดังรบกวนทุกครั้งที่เปิดเครื่องมือหรือขณะที่ใช้เครื่องมือกำลังเดินเบา สภาพเหล่านี้อาจทำให้ระดับความเสี่ยงลดลงอย่างมีนัยสำคัญตลอดทั้งระยะเวลาการทำงาน

ระบุมาตรการความปลอดภัยเพิ่มเติมเพื่อปกป้องผู้ปฏิบัติงานจากผลกระทบของการสั่นสะเทือนและเสียงดังรบกวน เช่น การบำรุงรักษาเครื่องมือและอุปกรณ์เสริม รักษามือให้อบอุ่น (ในกรณีการสั่นสะเทือน) และจัดระเบียบการทำงาน



## ควบคุมการขึ้น

ค่าแรงขึ้นขึ้นอยู่กับหลายปัจจัย เช่น สถานะการปล่อยประจุแบตเตอรี่ ขนาดแบตเตอรี่ เวลาที่กระแทก ขนาดโบลท์ ฯลฯ ให้ตรวจสอบประแจขึ้นเสมอเพื่อให้แน่ใจว่าจะขึ้นได้แรงขึ้นที่ต้องการได้ เครื่องมือนี้ไม่ใช่เครื่องมือขึ้นแบบแมนย่ำ

ในโหมด  เมื่อทำงานในทิศทางถอยหลัง ผลิตภัณฑ์จะหมุนที่ RPM และ IPM ข้างต้นจนกว่านี่จะหลุดออกจากข้อต่อ จากนั้นเมื่อผลิตภัณฑ์จะลดความเร็วรอบตอนที่ลงเพื่อให้ควบคุมการถอดข้อต่อได้ดี

## แบตเตอรี่

ควรชาร์จแบตเตอรี่ที่ไม่ได้ใช้งานเป็นระยะเวลาหนึ่งก่อนที่จะใช้งาน

ประสิทธิภาพของชุดแบตเตอรี่จะลดลงหากอุณหภูมิสูงกว่า 50 °C หลีกเลี่ยงไม่ให้ถูกแดดจัดหรือความร้อนเป็นเวลานาน (เสี่ยงต่อความร้อนเกิน)

ต้องหมั่นดูแลความสะอาดหน้าสัมผัสตัวชาร์จกับชุดแบตเตอรี่

เพื่อยืดอายุการใช้งาน ควรชาร์จแบตเตอรี่ให้เต็มหลังการใช้งาน

เพื่อรักษาอายุแบตเตอรี่ให้นานที่สุด ให้ถอดชุดแบตเตอรี่ออกจากตัวชาร์จเมื่อชาร์จไฟเต็ม

สำหรับชุดแบตเตอรี่ที่ต้องการเก็บไว้นานกว่า 30 วัน:

- เก็บชุดแบตเตอรี่ไว้ที่อุณหภูมิต่ำกว่า 27 °C และหลีกเลี่ยงความชื้น
- เก็บชุดแบตเตอรี่ไว้ที่ประจุ 30% - 50%
- ให้ชาร์จแบตเตอรี่ตามปกติทุกหกเดือนที่เก็บ

## ระบบป้องกันของชุดแบตเตอรี่

ในสถานการณ์ที่เกิดแรงบิดสูง ดัดขุด สดุด และเกิดการสั่นไหวเนื่องจากมีกระแสย้อนกลับสูง เครื่องมือจะสั่นเป็นเวลา 5 วินาที และเกจแบตเตอรี่จะกะพริบ แล้วเครื่องมือจะดับลง การรีเซ็ต ให้บีบและเปิดเครื่องใหม่

ภายใต้สถานการณ์รุนแรง อุณหภูมิภายในของแบตเตอรี่อาจสูงขึ้นไปได้ หากเกิดเหตุการณ์นี้ขึ้น เกจแบตเตอรี่จะกะพริบจนกว่าแผงแบตเตอรี่จะเย็นลง ให้ทำงานต่อหลังจากที่ไฟดับแล้ว

## การเคลื่อนย้ายแบตเตอรี่ลิเธียม

แบตเตอรี่ลิเธียมมีओอนอยู่ภายใต้ข้อกำหนดตามกฎหมายของสินค้าอันตราย

การขนส่งแบตเตอรี่เหล่านี้ต้องกระทำตามกฎระเบียบและข้อบังคับของท้องถิ่น ของประเทศ และระหว่างประเทศ

สามารถขนส่งแบตเตอรี่ทางถนนได้โดยไม่ต้องมีข้อกำหนดเพิ่มเติม

การขนส่งแบตเตอรี่ลิเธียมโดยผู้ให้บริการภายนอกจะต้องจัดการตามกฎระเบียบสินค้าอันตราย การเตรียมการขนส่งและการขนส่งต้องดำเนินการโดยบุคลากรที่ผ่านการฝึกอบรมมาแล้วเท่านั้น และในระหว่างดำเนินการต้องมีผู้เชี่ยวชาญที่เกี่ยวข้องคอยกำกับดูแล

เมื่อขนย้ายแบตเตอรี่:

- โปรดตรวจสอบให้แน่ใจว่าขั้วสัมผัสของแบตเตอรี่ได้รับการปกป้องและติดตั้งแน่นหนาเพื่อป้องกันการสั่นไหว
- ตรวจสอบให้แน่ใจว่าก่อนแบตเตอรี่ได้รับการปกป้องอย่างแน่นหนาอยู่ในบรรจุภัณฑ์
- ห้ามเคลื่อนย้ายแบตเตอรี่ที่แตกหรือรั่ว
- โปรดสอบถามบริษัทขนส่งหากท่านต้องการคำแนะนำเพิ่มเติม

## การทำความสะอาด

ต้องให้ช่องระบายอากาศเปิดโล่งอยู่ตลอดเวลา

## การบำรุงรักษา

ใช้อุปกรณ์เสริมและชิ้นส่วนสำรองของ MILWAUKEE เท่านั้น หากจำเป็นต้องเปลี่ยนส่วนประกอบที่ไม่ได้อธิบายไว้ โปรดติดต่อศูนย์บริการของ MILWAUKEE (ดูรายการการรับประกัน/ที่อยู่ของศูนย์บริการของเรา)

ท่านสามารถสังเกตแบบชี้ส่วนประกอบของผลิตภัณฑ์ได้ หากต้องการ โปรดระบุประเภทผลิตภัณฑ์ที่พิมพ์ไว้พร้อมหมายเลขทศกัปบนฉลาก และส่งชื่อแบบขอรหัสจากตัวแทนจำหน่ายในพื้นที่ของคุณ

## เครื่องหมาย



โปรดอ่านคำแนะนำอย่างระมัดระวังก่อนเริ่มใช้เครื่องมือ



ระวัง! ค่าเตือน! อันตราย!



ถอดชุดแบตเตอรี่ออกก่อนเริ่มทำการใดๆ กับผลิตภัณฑ์

$n_0$

ความเร็วรอบเปล่า

IPM

ช่วงการกระแทก

V



แรงดันไฟฟ้า



กระแสตรง



อย่าทิ้งแบตเตอรี่ใช้แล้ว ชะยุอุปกรณ์ไฟฟ้าและอิเล็กทรอนิกส์รวมกับขยะในครัวเรือนโดยไม่ได้แยกประเภท ให้ทิ้งแบตเตอรี่ใช้แล้ว ชะยุอุปกรณ์ไฟฟ้าและอิเล็กทรอนิกส์แยกต่างหาก หลังยกเลิกใช้งานอุปกรณ์ จะต้องถอดแยกแบตเตอรี่ใช้แล้ว ตัวสะสมพลังงานที่ใช้แล้ว และแหล่งกำเนิดแสงที่ใช้แล้วออกจากตัวเครื่อง ตรวจสอบกับผู้มีอำนาจในท้องถิ่นของคุณหรือร้านค้าปลีกสำหรับคำแนะนำในการใช้เคล็ดและจุดเก็บรวบรวม ภายใต้กฎระเบียบในท้องถิ่น ร้านค้าอาจมีข้อมูลผิดในการรวมรวบรวมแบตเตอรี่ใช้แล้วและชะยุอุปกรณ์ไฟฟ้าและอิเล็กทรอนิกส์กลับมาโดยไม่มีค่าใช้จ่ายเพิ่มเติม การนำมาใช้ใหม่และการรีไซเคิลของแบตเตอรี่ใช้แล้ว ชะยุอุปกรณ์ไฟฟ้าและอิเล็กทรอนิกส์จะช่วยลดการใช้วัสดุใหม่ซึ่งช่วยอนุรักษ์ทรัพยากรได้ แบตเตอรี่ใช้แล้วโดยเฉพาะที่มีสารลิเธียม และชะยุอุปกรณ์ไฟฟ้าและอิเล็กทรอนิกส์จะมีวัสดุรีไซเคิลได้ที่มีค่า ซึ่งสามารถลดผลกระทบต่อสิ่งแวดล้อมและสุขภาพของคน ทหารตัดกำจัดทิ้งในลักษณะที่เป็นมิตรกับสิ่งแวดล้อม สอบข้อมูลส่วนบุคคลออกจากอุปกรณ์ที่ยกเลิกใช้งานแล้ว ถ้ามี

Tipe	Kunci hentam nirlabel
Tegangan baterai	18 V ---
Kecepatan tanpa beban	
Mode 1	0-700/min
Mode 2	0-1300/min
Mode 3	0-2000/min
Kecepatan tanpa beban: Mode  (Dalam mode auto shut off)	
Maju	0-900/min
Mundur	0-2000/min / 0-750/min
Laju tumbukan	
Mode 1	0-1300/min
Mode 2	0-2200/min
Mode 3	0-2400/min
Torsi pengikatan	
Mode 1	880 Nm
Mode 2	1220 Nm
Mode 3	1627 Nm
Mode 	< 68 Nm
Torsi pelepasan mur maks	2169 Nm
Penerimaan alat	12,7 mm (1/2 inci)
Maks. diameter baut/mur	M36
Bobot sesuai dengan Prosedur EPTA 01/2014 (2,0 Ah - 12,0 Ah)	3,1 kg – 4,3 kg
Suhu pengoperasian sekitar yang direkomendasikan	-18 – +50 °C
Paket baterai yang direkomendasikan	M18B..., M18 HB..., M18 FB
Pengisi daya yang direkomendasikan	M12-18..., M18 DFC, M18 PC6

### Informasi kebisingan

Nilai emisi derau ditentukan menurut EN 62841

Tingkat tekanan suara tertimbang A	97 dB (A)
K Ketidakpastian	3 dB (A)
Tingkat daya suara tertimbang A	105 dB (A)
K Ketidakpastian	3 dB (A)

Selalu gunakan pelindung mata.

### Informasi vibrasi

Total nilai vibrasi (jumlah vektor di ketiga aksis) ditentukan sesuai EN 62841.

Nilai $a_n$ emisi getaran	24,84 m/s <sup>2</sup>
K Ketidakpastian	1,5 m/s <sup>2</sup>

### PERINGATAN!

Tingkat getaran total yang dinyatakan dan tingkat emisi derau yang dinyatakan dalam lembaran informasi ini telah diukur sesuai dengan uji standar dan dapat digunakan untuk membandingkan satu alat dengan alat lainnya. Dapat digunakan untuk penilaian awal keterpaparan.

Tingkat getaran dan emisi derau yang dinyatakan menggambarkan aplikasi utama alat ini. Namun jika alat ini digunakan untuk aplikasi yang berbeda, dengan aksesoris yang berbeda atau tidak dirawat dengan baik, getaran dan emisi kebisingan yang timbul mungkin berbeda. Kondisi ini dapat meningkatkan tingkat paparan secara signifikan sepanjang periode kerja keseluruhan.

Perkiraan tingkat paparan terhadap getaran dan derau juga harus memperhitungkan saat-saat ketika alat dimatikan atau ketika produk sedang dinyalakan tetapi tidak digunakan. Kondisi ini dapat menurunkan tingkat paparan secara signifikan selama periode kerja total.

Identifikasi langkah-langkah keselamatan tambahan untuk melindungi operator dari efek getaran dan derau, seperti merawat peralatan dan aksesoris, menjaga tangan tetap hangat (terkait getaran), dan mengatur pola kerja.

**PERINGATAN!** Baca semua peringatan keselamatan, petunjuk, ilustrasi, dan spesifikasi yang disertakan bersama produk. Tidak dipatuhi semua petunjuk di bawah ini, dapat berakibat sengatan listrik, kebakaran, dan/atau cedera parah.

Simpan semua peringatan dan petunjuk sebagai referensi sewaktu-waktu.

### PERINGATAN KESELAMATAN KUNCI HENTAM

**Pakai pelindung telinga.** Berada di lingkungan yang bising dapat menyebabkan gangguan pendengaran.

**Pegang alat listrik dengan permukaan genggam berinsulasi, saat melakukan pengoperasian di mana pengencang mungkin bersentuhan dengan perkabelan tersembunyi.** Pengencang yang bersentuhan dengan kabel "yang teraliri daya" mungkin membuat komponen logam alat listrik terekspos menjadi "teraliri daya" dan dapat menimbulkan sengatan listrik bagi operator.

### PETUNJUK KESELAMATAN DAN KERJA TAMBAHAN

Gunakan peralatan pelindung. Selalu kenakan kaca mata pelindung saat bekerja menggunakan produk ini. Dianjurkan memakai pakaian pelindung, seperti masker debu, sarung tangan pelindung, sepatu alas karet yang kokoh, helm, dan pelindung telinga.

Debu yang timbul saat menggunakan alat ini dapat membahayakan kesehatan. Jangan menghirup debu. Pakai masker pelindung debu yang tepat.

Jangan mengerjakan dengan mesin ini bahan apa pun yang membahayakan kesehatan (mis. asbestos).

Segera matikan perangkat jika alat insersi macet. Jangan nyalakan dulu perangkat saat alat insersi masih macet, karena dapat mememicu hentakan kuat dengan kekuatan reaktif tinggi. Pastikan penyebab alat insersi macet dan perbaiki ini, dengan mengacu pada petunjuk keselamatan.

Kemungkinan penyebabnya adalah:

- Alat penyisipan dicondongkan pada benda kerja yang akan dikerjakan.
- Alat penyisipan telah menembus material yang akan dikerjakan.
- Alat listrik kelebihan beban

Jangan menjangkau mesin saat sedang beroperasi.

Alat sisipan dapat menjadi panas selama penggunaan.

**PERINGATAN!** Bahaya luka bakar.

- ketika mengganti peralatan
- ketika menurunkan perangkat

Chip dan splinter tidak boleh dilepas saat mesin sedang beroperasi.

Saat bekerja di plafon atau lantai, hati-hati untuk hindari kabel listrik dan saluran pipa gas serta air.

Jepit bahan kerja Anda dengan perangkat jepit. Bahan kerja yang tidak dijepit dapat menyebabkan cedera dan kerusakan parah.

Lepaskan paket baterai sebelum memulai pekerjaan apa pun pada produk.

### PETUNJUK KESELAMATAN BATERAI

Jangan membuang unit baterai bekas dalam sampah rumah tangga atau membakarnya. Distributor MILWAUKEE menawarkan untuk mengambil baterai lama guna melindungi lingkungan kita.

Jangan menyimpan paket baterai bersama benda logam (risiko arus pendek).

Hanya gunakan pengisi daya System M18 untuk mengisi daya paket baterai System M18. Jangan menggunakan unit baterai dari sistem lain.

Jangan sekali-kali membuka unit baterai dan pengisi daya serta hanya simpan di tempat kering. Jaga kemasan baterai dan pengisi daya tetap kering di sepanjang waktu.

Asam baterai dapat merembes dari baterai yang rusak akibat beban atau suhu yang ekstrem. Jika asam baterai mengenai Anda, segera cuci dengan sabun dan air. Jika mengenai mata, bilas sebanyak-banyaknya selama setidaknya 10 menit dan segera dapatkan penanganan medis.

Tidak ada komponen logam yang diperbolehkan memasuki kompartemen baterai pada pengisi daya (risiko arus pendek).

### PERINGATAN KESELAMATAN BATERAI TAMBAHAN

**PERINGATAN!** Untuk mengurangi risiko kebakaran, cedera pribadi, dan kerusakan produk akibat hubungan arus pendek, jangan pernah merendam alat, baterai atau charger Anda dalam cairan atau membiarkan cairan mengalir di dalamnya. Cairan korosif atau konduktif, seperti air laut, bahan kimia industri tertentu, dan produk pemutih atau yang mengandung pemutih, dan sebagainya, dapat menyebabkan hubungan arus pendek.

### KONDISI PENGGUNAAN KHUSUS

Produk ini dapat digunakan untuk mengencangkan dan melonggarkan mur dan baut ketika tidak ada sambungan listrik yang tersedia.

Jangan menggunakan produk untuk tujuan lain.

### RISIKO RESIDU

Bahkan ketika produk digunakan seperti yang ditentukan, masih tidak mungkin untuk sepenuhnya menghilangkan faktor risiko residual tertentu. Bahaya mungkin timbul selama penggunaan produk dan operator harus memberikan perhatian khusus untuk menghindari hal-hal berikut:

- cedera yang disebabkan oleh vibrasi
  - Pegang produk dengan menggunakan tuas yang disediakan dan batasi waktu kerja dan paparan.
- cedera pendengaran yang disebabkan paparan terhadap suara
  - Kerusakan pendengaran, batasi paparan dan gunakan pelindung pendengaran yang sesuai.
- cedera akibat terbelat serpihan
  - Kenakan alat pelindung diri yang sesuai, celana panjang yang tebal, sarung tangan, alas kaki yang kuat, dan kacamata pengaman, setiap saat.
- bahaya kesehatan yang disebabkan oleh terhirupnya debu beracun
  - Gunakan masker jika perlu.

### PENGOPERASIAN

**CATATAN:** Setelah dikencangkan disarankan untuk selalu memeriksa torsi dengan kunci torsi.

Pengencangan torsi dipengaruhi oleh faktor yang sangat beragam, yang meliputi:

- Status pengisian baterai – Ketika daya baterai menyusut, tegangan akan menurun dan torsi pengencangan akan berkurang.
- Kecepatan pengoperasian – Mengoperasikan produk pada kecepatan rendah akan menurunkan torsi pengencangan.
- Posisi pengencangan – Menahan produk atau pengencang kepala pada berbagai sudut akan memengaruhi torsi.
- Aksesori kepala/soket – Bila tidak menggunakan ukuran aksesori atau soket yang benar, atau aksesori tanpa tingkat hentakan, dapat menyebabkan torsi pengencangan berkurang.
- Penggunaan aksesori dan sambungan – Tergantung pada aksesori atau sambungan, perlengkapan (fitment) dapat mengurangi daya pengencangan kunci hentam.

- Baut/Mur – Torsi pengencangan dapat berbeda tergantung diameter baut atau mur, kelas mur/baut, dan panjang mur/baut.
- Kondisi pengencang – Pengencang yang terkontaminasi, berkarat, kering, atau dilumasi dapat memengaruhi torsi pengencangan.
- Kondisi dan bahan dasar – Bahan dasar pengencang dan komponen lainnya yang terletak di antara permukaan dapat memengaruhi torsi pengencangan (dasar kering atau dilumasi, dasar empuk atau keras, disk, sekat, atau cincin pelat (washer) antara pengencang dan bahan dasar).

### TEKNIK PENGHENTAKAN

Semakin lama baut, sekrup, atau mur dihentak maka akan semakin kuat mengencerkam.

Agar tidak terjadi kerusakan pada pengencang ataupun benda kerja, hindari penghentakan yang berlebihan.

Harap berhati-hati menghentak pengencang lebih kecil yang hanya perlu hentikan ringan agar mencapai torsi optimal.

Berlatihlah menggunakan berbagai pengencang, perhatikan waktu yang diperlukan untuk mencapai torsi yang diinginkan.

Periksa kekuatan cengkeram dengan kunci hentam tangan.

Jika pengencang terlalu kuat, kurangi waktu penghentakan.

Jika kurang kuat, tambahkan waktu penghentakan.


Minyak, debu, karat, atau materi lain pada ulir atau di bawah kepala pengencang akan memengaruhi tingkat kekuatan.

Torsi yang diperlukan untuk melonggarkan pengencang rata-rata berkisar antara 75%-80% dari torsi pengencangan, tergantung pada permukaan kontak.

Pada pekerjaan gasket yang ringan, jalankan pengencang dengan torsi ringan dan gunakan kunci torsi tangan untuk pengencangan akhir.

### KENDALI PENGGERAK

Nilai torsi bergantung pada berbagai faktor seperti kondisi pengosongan baterai, ukuran baterai, waktu pembenturan, ukuran baut, dll. Selalu periksa dengan kunci torsi untuk memastikan nilai torsi yang diinginkan tercapai. Alat ini bukan alat pengencang presisi.

Dalam mode , jika dalam arah sebaliknya, produk bekerja pada RPM dan IPM di atas sampai mur terlepas dari sambungan. Kemudian, produk melambat ke RPM yang rendah untuk pengendalian yang lebih baik dalam melepas mur.

### BATERAI

Paket baterai yang belum digunakan selama beberapa waktu harus diisi kembali dayanya sebelum digunakan.

Suhu yang melebihi 50 °C akan mengurangi kinerja paket baterai. Hindari paparan berkepanjangan terhadap panas atau sinar matahari (risiko panas berlebihan).

Kontak pengisi daya dan paket baterai harus dijaga kebersihannya.

Untuk masa pemakaian optimal, paket baterai harus diisi dayanya hingga penuh setelah digunakan.

Untuk memaksimalkan masa pemakaian baterai, lepaskan paket baterai dari pengisi daya setelah terisi sepenuhnya.

Untuk penyimpanan paket baterai lebih dari 30 hari:

- Simpan paket baterai jika suhu berada di bawah 27 °C dan jauhkan dari kelembapan.
- Simpan paket baterai dalam kondisi terisi dayanya 30% - 50%.
- Jika penyimpanan paket baterai mencapai enam bulan, isi daya baterai seperti biasa.

### PERLINDUNGAN KEMASAN BATERAI

Dalam torsi yang sangat tinggi, mengikat, mogok dan situasi arus pendek yang menyebabkan tarikan arus tinggi, alat akan bergetar selama sekitar 5 detik, pengukur bahan bakar akan berkedip, dan kemudian alat akan padam. Untuk menyetel ulang, lepaskan pemicu.

Dalam kondisi ekstrem, suhu dalam baterai dapat meningkat. Jika hal ini terjadi, pengukur bahan bakar akan berkedip hingga paket baterai menjadi lebih dingin. Ketika lampu padam, lanjutkan pekerjaan.

### MENGANGKUT BATERAI LITIU

Baterai litium-ion tunduk pada persyaratan Legisiasi Barang Berbahaya.

Pengangkutan baterai ini harus dilakukan sesuai regulasi dan peraturan daerah, nasional, dan internasional.

Baterai dapat diangkut melalui jalan darat tanpa persyaratan khusus.

Pengangkutan komersial baterai lithium-ion oleh pihak ketiga harus tunduk pada Peraturan terkait Barang Berbahaya. Persiapan pengangkutan dan pengangkutan harus dilakukan oleh orang yang terlatih dan prosesnya harus didampingi oleh pakar yang terkait.

Ketika mengangkut baterai:

- Pastikan terminal kontak baterai terlindungi dan terinsulasi untuk mencegah terjadinya korsleting.
- Pastikan bahwa unit baterai aman dari gerakan dalam pengemasan.
- Jangan mengangkut baterai yang retak atau bocor.
- Tanyakan kepada perusahaan ekspedisi untuk mendapatkan saran lebih lanjut.

### PEMBERSIHAN

Slot ventilasi produk tidak boleh tertutup sepanjang waktu.

### PEMELIHARAAN

Gunakan hanya aksesoris MILWAUKEE dan suku cadang MILWAUKEE. Jika komponen yang belum dijelaskan harus diganti, hubungi salah satu dari pusat layanan MILWAUKEE kami (lihat daftar alamat layanan/garansi kami).

Jika diperlukan, gambar pecahan komponen dapat dipesan. Sebutkan tipe produk dan enam digit angka yang tertera pada label dan pesanalah gambarnya pada agen layanan setempat.

### SIMBOL



Baca petunjuk dengan cermat sebelum memulai menggunakan produk.



PERHATIAN! PERINGATAN! BAHAYA!



Lepaskan paket baterai sebelum memulai pekerjaan apa pun pada produk.

$n_0$

Kecepatan tanpa beban

IPM

Jajaran produk Impact;



V

Voltase



Jangan membuang limbah baterai, limbah peralatan listrik dan elektronik sebagai limbah kota yang tidak disortir. Limbah baterai dan limbah peralatan listrik dan elektronik harus dikumpulkan secara terpisah. Baterai limbah, akumulator limbah, dan sumber cahaya harus disingkirkan dari peralatan. Tanyakan kepada pihak berwenang atau peritel setempat mengenai daur ulang dan titik pengumpulan. Menurut peraturan setempat, penjual dapat diwajibkan untuk menerima kembali baterai bekas dan limbah peralatan listrik dan elektronik tanpa mengenakan biaya. Kontribusi Anda untuk menggunakan kembali dan mendaur ulang limbah baterai dan limbah peralatan listrik dan elektronik membantu mengurangi permintaan bahan baku. Baterai bekas, khususnya yang mengandung litium dan limbah peralatan listrik dan elektronik mengandung material berharga yang dapat didaur ulang, yang dapat berdampak buruk pada lingkungan dan kesehatan manusia, jika tidak dibuang dengan cara yang ramah lingkungan. Hapus data personel dari peralatan yang dibuang, jika ada.

---

Loại	Máy vặn vít không dây
Điện áp pin	18 V ---
Tốc độ không tải	
Chế độ 1	0-700/min
Chế độ 2	0-1300/min
Chế độ 3	0-2000/min
Tốc độ không tải: Chế độ  (Chế độ Tự động tắt)	
Tiền	0-900/min
Lùi	0-2000/min / 0-750/min
Tỷ lệ tác động	
Chế độ 1	0-1300/min
Chế độ 2	0-2200/min
Chế độ 3	0-2400/min
Lực siết	
Chế độ 1	880 Nm
Chế độ 2	1220 Nm
Chế độ 3	1627 Nm
Chế độ 	< 68 Nm
Lực siết đai ốc tối đa	2169 Nm
Đầu lắp khẩu	12,7 mm (1/2")
Bu-lông / đai ốc có đường kính tối đa	M36
Trọng lượng theo Quy Trình EPTA 01/2014 (2,0 Ah - 12,0 Ah)	3,1 kg – 4,3 kg
Nhiệt độ môi trường khuyến nghị khi vận hành	-18 – +50 °C
Loại pin được khuyến nghị	M18B..., M18 HB..., M18 FB
Bộ sạc được khuyến nghị	M12-18..., M18 DFC, M18 PC6

### Thông tin về tiếng ồn

Giá trị phát sinh tiếng ồn được xác định theo tiêu chuẩn EN 62841.

Cấp độ áp suất âm thanh trọng số A	97 dB (A)
Độ bất định K	3 dB (A)
Cấp độ công suất âm thanh trọng số A	105 dB (A)
Độ bất định K	3 dB (A)

Luôn đeo thiết bị bảo vệ tai.

### Thông tin về độ rung

Tổng giá trị rung chấn (tổng véc-tơ theo ba trục) được xác định theo tiêu chuẩn EN 62841.

Giá trị phát thải rung chấn $a_n$	24,84 m/s <sup>2</sup>
Độ bất định K	1,5 m/s <sup>2</sup>

### CẢNH BÁO!

Tổng giá trị mức độ rung chấn và giá trị phát thải tiếng ồn được công bố được đưa ra trong hướng dẫn sử dụng này đã được đo theo thử nghiệm chuẩn hóa đã cho có thể được sử dụng để so sánh với công cụ khác. Có thể sử dụng chúng để đánh giá sơ bộ về mức độ tiếp xúc.

Các giá trị phát thải tiếng ồn và rung chấn được công bố thể hiện cho ứng dụng chính của công cụ. Tuy nhiên, nếu sản phẩm được sử dụng cho các ứng dụng khác nhau, với các phụ kiện khác nhau hoặc được bảo dưỡng kém, thì mức độ phát thải rung chấn và tiếng ồn có thể khác nhau. Những điều kiện này có thể làm tăng đáng kể mức độ tiếp xúc trong tổng thời gian làm việc.

Việc ước tính mức độ tiếp xúc với tiếng ồn và rung chấn cần tính đến số lần công cụ được tắt hoặc khi nó đang chạy không tải. Những điều kiện này có thể làm giảm đáng kể mức độ tiếp xúc trong tổng thời gian làm việc.

Xác định các biện pháp an toàn bổ sung để bảo vệ người vận hành khỏi các tác động của rung chấn và tiếng ồn, như bảo trì công cụ và các phụ kiện, giữ cho tay ấm (trong trường hợp rung chấn), sắp xếp các quy trình làm việc.



**⚠ CẢNH BÁO!** Hãy đọc tất cả các cảnh báo an toàn, hướng dẫn, hình minh họa và thông số kỹ thuật đi kèm dụng cụ có động cơ này. Không tuân thủ những cảnh báo và chỉ dẫn có thể dẫn đến giết điện, hỏa hoạn và/hoặc chấn thương nghiêm trọng. **Giữ lại tất cả những cảnh báo và chỉ dẫn để tham khảo sau này.**

### CẢNH BÁO AN TOÀN CHO MÁY VẠN VỊT

**Đeo thiết bị bảo vệ tai.** Tiếp xúc với tiếng ồn có thể gây điếc. **Giữ máy bằng bề mặt cầm cách điện, khi thực hiện một thao tác trong đó ốc/vít có thể tiếp xúc với dây điện ản.** Ốc/vít tiếp xúc với một dây điện có điện có thể dẫn điện cho các phần kim loại bị hở của máy và khiến người vận hành bị điện giật.

### HƯỚNG DẪN AN TOÀN VÀ HOẠT ĐỘNG BỔ SUNG

Sử dụng thiết bị bảo hộ. Luôn đeo kính bảo hộ khi làm việc với sản phẩm. Nên sử dụng quần áo bảo hộ, chẳng hạn như mặt nạ chống bụi, găng tay bảo vệ, giày dép chống trơn trượt, mũ bảo hiểm và thiết bị bảo vệ tai.

Bụi sinh ra khi sử dụng sản phẩm có thể gây hại cho sức khỏe. Không hít bụi. Sử dụng khẩu trang chống bụi phù hợp.

Không làm việc với bất kỳ vật liệu nào gây nguy hiểm cho sức khỏe (ví dụ: a-mi-ăng)

Tắt máy ngay lập tức nếu đầu khẩu/ socket bị kẹt. Không bật lại sản phẩm khi dao đang bị kẹt, bởi điều này có thể kích hoạt lực bật lên với phần lực mạnh. Xác định xem tay sai dao bào bị kẹt và khắc phục điều này, lưu ý đến chỉ dẫn an toàn.

Những nguyên nhân có thể là:

- dao bào bị nghiêng so với bề mặt vật liệu.
- dao bào đã xuyên qua vật liệu được gia công.
- Dụng cụ máy quá tải

Không chạm tay vào sản phẩm khi sản phẩm đang chạy.

Dụng cụ lắp vào có thể nóng lên khi đang sử dụng.

**⚠ CẢNH BÁO!** Nguy cơ bỏng

- khi thay đổi dụng cụ
- khi đặt sản phẩm xuống

Không được thổi bỏ vụn xi và mảnh vụn trong khi sản phẩm đang hoạt động.

Khi thao tác trên trần, hoặc sàn nhà, chú ý tránh đường dây điện và khí gas hoặc đường ống nước.

Kẹp phối gia công của bạn bằng thiết bị kẹp. Những phối gia công không được kẹp có thể gây ra chấn thương và hư hỏng nặng.

Tháo pin trước khi bắt đầu thao tác với sản phẩm.

### HƯỚNG DẪN AN TOÀN CHO PIN

Không tháo bỏ pin cũ theo rác thải sinh hoạt hoặc đốt chúng. Các nhà phân phối MILWAUKEE đề nghị được lấy lại các pin cũ để bảo vệ môi trường của chúng ta.

Không bảo quản pin cùng với vật dụng kim loại (nguy cơ ngắn mạch).

Chỉ sử dụng các bộ sạc hệ M18 để sạc pin hệ M18. Không sử dụng bình pin từ các hệ thống khác.

Không bao giờ tự ý mở các pin và bộ sạc, và chỉ bảo quản chúng trong các phòng khô. Luôn đảm bảo các pin và bộ sạc được khô.

Axit trong pin có thể rò rỉ từ pin bị hư hại trong điều kiện nhiệt độ khắc nghiệt hoặc tải quá nặng. Nếu bị tiếp xúc với axit trong pin, hãy rửa ngay lập tức bằng xà phòng và nước. Trong trường hợp axit tiếp xúc với mắt, hãy rửa sạch trong ít nhất 10 phút và ngay lập tức đi khám bác sĩ.

Không để các chi tiết kim loại đi vào phần chứa pin của bộ sạc (nguy cơ ngắn mạch).

### CÁC CẢNH BÁO AN TOÀN BỔ SUNG CHO PIN

**⚠ CẢNH BÁO!** Để giảm nguy cơ hỏa hoạn, chấn thương cá nhân và hư hại sản phẩm do ngắn mạch, không bao giờ nhúng sản phẩm, pin hay bộ sạc trong chất lỏng hoặc cho phép chất lỏng xâm nhập vào chúng. Các chất lỏng ăn mòn hoặc dẫn điện, ví dụ như nước biển, một số hóa chất công nghiệp, và chất tẩy hoặc sản phẩm chứa chất tẩy, v.v., đều có thể gây ngắn mạch.

### ĐIỀU KIỆN SỬ DỤNG CỤ THỂ

Sản phẩm này có thể sử dụng máy bắt vít không dây để siết chặt và nới lỏng bu lông và đai ốc khi không có kết nối nguồn điện chính.

Không sử dụng sản phẩm cho bất kỳ mục đích nào khác.

### RỦI RO CÓ HỮU

Ngay cả khi sử dụng sản phẩm theo chỉ định, thì vẫn không thể loại bỏ hoàn toàn các yếu tố rủi ro còn lại. Các mối nguy hiểm sau đây có thể phát sinh khi sử dụng sản phẩm và người vận hành cần đặc biệt chú ý để tránh những điều sau đây:

- chấn thương do rung động
  - Giữ sản phẩm bằng tay cầm được chỉ định và hạn chế thời gian làm việc và tiếp xúc.
- tổn thương thính giác do tiếp xúc với tiếng ồn
  - Hạn chế tiếp xúc và đeo đồ bảo vệ thính giác phù hợp.
- bị thương do mảnh vỡ bay ra
  - Luôn đeo thiết bị bảo hộ cá nhân thích hợp, mặc quần dài dày, đeo găng tay, xô giày dép chắc chắn và đeo kính an toàn.
- mối nguy hiểm cho sức khỏe do hít phải bụi độc hại
  - Đeo khẩu trang nếu cần.

### VẬN HÀNH

**LƯU Ý:** Nên luôn luôn kiểm tra lực siết bằng máy vạn vít siết lực sau khi vận chắt.

Các lực siết bị ảnh hưởng bởi nhiều yếu tố bao gồm:

- Trạng thái sạc pin - Khi pin được xả, điện áp giảm và giảm khả năng siết lực.
- Hoạt động ở nhiều tốc độ — Vận hành sản phẩm ở tốc độ thấp gây giảm khả năng siết lực.
- Vị trí siết— Giữ sản phẩm hoặc đầu khẩu/ socket ở nhiều góc độ khác nhau ảnh hưởng đến lực siết.
- Phụ kiện/lỗ bắt vít - Không thể sử dụng kích thước phụ kiện hoặc lỗ không chính xác hoặc phụ kiện có định mức không tác động có thể làm giảm lực siết.
- Sử dụng phụ kiện và bộ phận mở rộng - Tùy thuộc vào phụ kiện hoặc bộ phận mở rộng, thiết bị lắp thêm có thể làm giảm khả năng siết lực của máy vạn vít.
- Bu Lông/Đai Ốc - Lực siết có thể khác nhau tùy theo đường kính của đai ốc hoặc bu lông, loại của đai ốc/bu lông, và chiều dài của đai ốc/bu lông.
- Tình trạng chốt - Chốt bị nhiễm bẩn, ăn mòn, bị khô hoặc được bôi trơn có thể gây ảnh hưởng đến các lực siết.
- Tình trạng và vật liệu nền - Vật liệu nền của chốt và bất kỳ bộ phận nào ở giữa các bề mặt có thể ảnh hưởng đến lực siết (nền bị khô hoặc được bôi trơn, nền mềm hoặc cứng, đĩa, phốt hoặc vòng đệm giữa chốt và vật liệu nền).

### KỸ THUẬT SIẾT ỐC

Bu lông, ốc vít hoặc đai ốc được siết bằng máy càng lâu thì chúng càng chặt.

Để tránh làm hỏng chốt hoặc tấm vật liệu, tránh siết quá mức.

Đặc biệt cẩn thận khi siết bu-lông nhỏ hơn vì những loại bu-lông này cần siết ít hơn để đạt được lực siết tối ưu.

Thực hiện trên các bu-lông khác nhau, lưu ý khoảng thời gian cần để đạt được lực siết mong muốn.

Dùng cờ lê siết lực bằng tay để kiểm tra độ chặt.

Nếu chốt quá chặt, hãy giảm thời gian siết.

Nếu bu-lông không đủ chặt, hãy tăng thời gian siết.


Dầu, bụi bẩn, rỉ sét, hoặc vật chất khác trên các ren hoặc dưới đầu của bu-lông sẽ ảnh hưởng đến mức độ chặt.

Lực siết cần để nối lỏng bu-lông trung bình từ 75% đến 80% lực siết chặt, tùy thuộc vào tình trạng của các bề mặt tiếp xúc.

Ở những công việc có vòng đệm nhẹ, vận những bu-lông bằng lực siết tương đối nhẹ và sử dụng cờ lê siết lực bằng tay để siết chặt lần cuối.

## ĐIỀU KHIỂN SIẾT BU-LÔNG

Giá trị lực siết phụ thuộc vào nhiều yếu tố như tình trạng xả pin, kích thước pin, thời gian tác động, kích thước bu lông, v.v.. Phải luôn kiểm tra bằng cờ lê siết lực để đảm bảo đạt được giá trị lực siết mong muốn. Đây không phải dụng cụ siết chính xác.

Ở chế độ , khi chạy đảo ngược, sản phẩm chạy ở tốc độ RPM và IPM kể trên cho đến khi đại ốc rời khỏi khớp. Sau đó, sản phẩm chạy chậm đến RPM giảm để kiểm soát hoạt động tháo đai ốc tốt hơn.

## PIN

Pin chưa được sử dụng trong một thời gian dài nên được sạc lại trước khi sử dụng.

Nhiệt độ vượt quá 50 °C làm giảm hiệu năng của pin. Tránh tiếp xúc trong thời gian dài với nhiệt độ hoặc ánh nắng mặt trời (nguy cơ quá nhiệt).

Các điểm tiếp xúc của bộ sạc và bộ pin phải được giữ sạch sẽ.

Để có tuổi thọ tối ưu, các pin phải được sạc đầy sau mỗi lần sử dụng.

Để đảm bảo tuổi thọ pin lâu nhất có thể, hãy rút pin ra khỏi bộ sạc sau khi nó được sạc đầy.

Khi cất trữ pin lâu hơn 30 ngày:

- Bảo quản pin ở nơi khô, có nhiệt độ dưới 27 °C.

- Bảo quản pin trong điều kiện sạc 30% - 50%

- Sau mỗi 6 tháng bảo quản, sạc pin như bình thường.

## BẢO VỆ PIN

Trong các tình huống mômen xoắn cao, kẹp, kẹt và ngắn mạch có thể tăng cường độ dòng điện, sản phẩm sẽ rung khoảng 5 giây, đèn báo mức pin sẽ nháy sáng, và sau đó sản phẩm bị tắt. Để đặt lại, hãy nhả cò ra.

Trong các tình huống khắc nghiệt, nhiệt độ bên trong của bộ pin có thể tăng lên quá cao. Nếu điều này xảy ra, đèn báo mức pin sẽ nháy sáng cho đến khi pin nguội bớt. Sau khi đèn tắt, tiếp tục làm việc.

## VẬN CHUYỂN PIN LITHIUM

Các pin lithium-ion cần tuân thủ Luật về Hàng hóa Nguy hiểm.

Việc vận chuyển các pin này phải được thực hiện theo các điều kiện và quy định của địa phương, quốc gia và quốc tế.

Pin có thể được vận chuyển bằng đường bộ mà không có yêu cầu nào khác.

Việc vận chuyển thương mại pin lithium-ion bởi các bên thứ ba cần tuân thủ quy định về Hàng hóa Nguy hiểm. Việc chuẩn bị vận chuyển và vận chuyển cần được thực hiện bởi những người được đào tạo phù hợp và quy trình này phải được giám sát bởi các chuyên gia trong ngành.

Khi vận chuyển pin:

- Đảm bảo các đầu tiếp xúc của pin được bảo vệ và cách điện để ngăn ngắn mạch.
- Đảm bảo pin được cố định để không di chuyển trong bao bì.
- Không vận chuyển các pin bị nứt hoặc rò rỉ.
- Kiểm tra với công ty chuyển tiếp để được tư vấn thêm.

## LÀM SẠCH

Các khe thông gió của sản phẩm lúc nào cũng phải sạch sẽ.

## BAO TRÌ

Chỉ sử dụng các phụ kiện và phụ tùng thay thế của MILWAUKEE. Không được thay thế các thành phần theo những cách không được mô tả ở đây, vui lòng liên hệ một trong những đại lý dịch vụ MILWAUKEE của chúng tôi (xem danh sách địa chỉ bảo hành/dịch vụ của chúng tôi).

Nếu cần, có thể yêu cầu xem hình vẽ mô tả chi tiết các bộ phận. Vui lòng nêu rõ số sê-ri cũng như loại sản phẩm được in trên nhãn và yêu cầu bản vẽ tại các trung tâm dịch vụ địa phương của bạn.

## BIỂU TƯỢNG



Vui lòng đọc cẩn thận hướng dẫn trước khi sử dụng máy.



CHÚ Ý! CẢNH BÁO! NGUY HIỂM!



Tháo pin trước khi bắt đầu thao tác với sản phẩm.

$n_0$

Tốc độ không tải

IPM

Phạm vi tác động

V

Điện áp



Dòng điện một chiều



Không vứt bỏ pin thải, thiết bị điện và điện tử thải cùng với rác thải đô thị chưa được phân loại. Pin thải và thiết bị điện và điện tử thải phải được thu gom riêng. Phải loại bỏ pin thải, bộ tích điện thải và nguồn sáng khỏi thiết bị. Xác nhận với chính quyền địa phương hoặc nhà bán lẻ để được tham vấn về việc tái chế và điểm thu gom. Theo quy định của địa phương, các nhà bán lẻ có thể có nghĩa vụ nhận lại pin thải và thiết bị điện và điện tử thải miễn phí. Sự đóng góp của bạn trong việc tái sử dụng và tái chế pin thải và thiết bị điện và điện tử thải sẽ giúp giảm nhu cầu về nguyên liệu thô. Đặc biệt, pin thải có chứa lithium và Thiết bị điện và điện tử thải chứa các vật liệu có giá trị, có thể tái chế, có thể tác động xấu đến môi trường và sức khỏe con người, nếu không được xử lý theo cách phù hợp với môi trường. Xóa dữ liệu cá nhân khỏi thiết bị thải, nếu có.

技術データ	M18 FHIW2F12
タイプ	コードレスインパクトレンチ
バッテリー電圧	18 V 
回転数	
モード 1	0-700/min
モード 2	0-1300/min
モード 3	0-2000/min
回転数: モード  (自動シャットオフモード)	
フォワード	0-900/min
リバース	0-2000/min / 0-750/min
衝撃速度	
モード 1	0-1300/min
モード 2	0-2200/min
モード 3	0-2400/min
締め付けトルク	
モード 1	880 Nm
モード 2	1220 Nm
モード 3	1627 Nm
モード 	< 68 Nm
最大ナットバスタートルク	2169 Nm
ツール受け	12.7 mm (1/2 in.)
ボルト/ナットの最大直径	M36
本体重量 (リチウムイオン2.0 Ah~12.0 Ahバッテリー装着時) (EPTA 01/2014準拠)	3.1 kg – 4.3 kg
推奨周囲動作温度	-18 – +50 °C
推奨バッテリータイプ	M18B..., M18 HB..., M18 FB
推奨充電器	M12-18..., M18 DFC, M18 PC6
騒音情報	
騒音放射値 (EN 62841に従い測定)	
A特性・音圧レベル	97 dB (A)
不明 K	3 dB (A)
A特性音響パワーレベル	105 dB (A)
不明 K	3 dB (A)
必ずイヤープロテクターを使用してください。	
振動情報	
総振動値 (3軸のベクトル和) (EN 62841に従い測定)	
振動放出値 $a_h$	24.84 m/s <sup>2</sup>
不明 K	1.5 m/s <sup>2</sup>

### 警告!

本情報シートに記載されている振動/騒音放射レベルは、の所与の標準検査に従って測定されたものであり、ある工具と別の工具を比較するために使用することができます。暴露の予備評価にも使用できます。

公表された振動・騒音値は、工具の主な用途を表しています。ただし、工具が異なる用途に使用され、付属品が異なっている、メンテナンスが不十分であるなどの場合は、振動/騒音放射が異なる場合があります。これらの条件により、総作業期間にわたる暴露レベルが大幅に増加する可能性があります。

暴露する振動・騒音値の概算を出す場合、工具のスイッチがオフになっている時間、または工具がアイドリング中である時間も考慮する必要があります。これらの条件により、総作業期間にわたる暴露レベルが大幅に減少する可能性があります。

振動/騒音の影響からオペレーターを保護するために、次のような追加安全対策を確認してください: 工具と付属品のメンテナンスを行う、手を温かく保つ、作業パターンを整理する。

**▲ 警告!** 本電動工具に同梱されているすべての安全警告、指示、図、仕様をお読みください。下記のすべての指示に従わない場合、感電や火災が発生したり、重傷を負う可能性があります。

今後の参考のために、すべての警告と指示を保存します。

### インパクトレンチに関する安全警告

耳栓を使用してください。騒音にさらされると、難聴を起こすことがあります。

隠し配線にファスナーが接触する可能性のある操作を行うときは、絶縁グリップ面で電動工具を支えてください。製品を使用する際に発生する粉塵は、健康に害を与える場合があります。

### 追加の安全上の注意事項および作業指示

保護具を使用してください。この製品で作業をするときは、必ず保護メガネを着用してください。防塵マスク、保護手袋、滑らない頑丈な履物、ヘルメット、防音具などの防護服を使用してください。

粉塵を吸い込まないでください。適切な防塵マスクを着用してください。人体に悪影響を及ぼす物質の近くに製品を使用しないでください。

健康を損なう恐れのある材料を機械で加工しないでください(アスベストなど)。

挿入ツールが停止している間に、電源を入れ直さないでください。大きな反力が生じて突然跳ね返る恐れがあります。挿入ツールが停止した理由を特定し、安全上の注意事項に留意しながら問題を修正してください。

考えられる原因は以下のとおりです:

- 加工するワークピース内で挿入ツールが傾いている。
- 加工する材料を挿入ツールが貫通している。
- 本電動工具が過負荷状態になっています。

作動中の製品には手を出さないでください。

挿入ツールは使用中に熱くなることがあります。

### ▲ 警告! 火傷の危険

- ツールを変更するとき
- 製品を下に置くとき

製品の作動中、切りくずや破片を取り除かないでください。

壁、天井、床で作業をする場合は、使用して電線、ガス管、水道管を避けてください。

クランプ装置でワークピースをクランプします。ワークピースをクランプしないと、重大な怪我や損傷を引き起こすことがあります。

作業前の調整時や保守・点検時は、本体からバッテリーを取り外してください。

### バッテリーの安全上の注意事項

使用済みのバッテリーパックは家庭ゴミと一緒に廃棄したり、燃やさないでください。ミルウォーキー (MILWAUKEE) 販売店では、環境保護のために古いバッテリーを回収いたします。

金属片などと一緒にバッテリーパックを保管しないでください。ショートの危険性があります。

M18システム: バッテリーの充電には、M18システムの充電器しか使用できません。別のシステムのバッテリーと混ぜて使用しないでください。

バッテリーと充電器は絶対に分解しないでください。バッテリーと充電器は湿度の低い屋内で保管してください。

極端な負荷や温度によってバッテリーが損傷し、液漏れが発生する場合があります。漏れ出した液と接触した場合は、直ちに石鹸と水で洗い流してください。目に入った場合は、少なくとも10分間流水ですすいだし、直ちに医師の診察を受けてください。

充電器の金属端子部に金属片などを接触させないでください。ショートの危険があります。

### バッテリーに関する詳細な安全警告

**▲ 警告!** 漏電による火災、人的損傷、製品破損のリスクを軽減するために、製品、バッテリーパック、充電器を液体に浸したり、液体を流入させたりすることは絶対にしないでください。海水、特定の工業用化学物質、漂白剤または漂白剤を含む製品などの腐食または伝導性誘導体は、漏電の原因となることがあります。

### 特定の使用条件

本製品は、コンセントの接続ができない場所でナットとボルトを締めたり緩めたりする場合に使用できます。

本製品を他の用途では使用しないでください。

### 残存リスク

製品が規定どりに使用された場合でも、特定の残存する危険因子を完全に排除することは不可能です。使用中に以下の危険が発生することがあり、作業者は以下を回避するために特に注意する必要があります。

- 振動による怪我
  - 所定のハンドルを持って本製品を保持し、作業時間や暴露を制限します。
- 騒音により生じる聴覚の異常
  - 暴露を制限し、適切な聴覚保護具を着用してください。
- 飛散した破片によるけが
  - 適切な個人用保護具、高強度の長ズボン、グローブ、安全靴、保護メガネをつねに着用してください。
- 有毒な粉塵の吸い込みによる健康上の危険性
  - 必要な場合はマスクを着用してください。

### 操作

注記: 締め付けた後は、必ずトルクレンチでトルクを確認することをお勧めします。

締め付けトルクは、次のさまざまな要因による影響を受けます。

- バッテリー充電状態 - バッテリーが放電すると、電圧が低下し締め付けトルクが減少します。
- 動作速度: 本製品を低速で動作させると、締め付けトルクが低下する原因となります。
- 締め付ける場所 - 製品や打ち込みファスナーをさまざまな角度で持つと、トルクに影響を与えます。
- 打ち込む付属品/ソケット - 正しい付属品やソケットのサイズを使用しない、またはノンインパクト定格付属品を使用すると、トルクの締め付けが低下する可能性があります。
- 付属品および延長器具の使用 - 付属品および延長器具に応じて金具によりインパクトレンチの締め付け力が低下する場合があります。
- ボルトまたはナット - 締め付けトルクは、ナットまたはボルトの直径、ナットやボルトのクラス、ナットやボルトの長さに応じて異なる可能性があります。
- ファスナーの状態 - 汚染、腐食、乾燥、または潤滑された状態のファスナーの場合、締め付けトルクが変化する可能性があります。
- 状態および母材 - ファスナーの母材および表面の間の部分は、締め付けトルクに影響を及ぼす可能性があります(乾燥、潤滑された土台、柔らかい、または硬い土台、ディスク、シール、またはファスナーと母材間のワッシャー)。

### インパクト技術

ボルト、ネジまたはナットに衝撃を与える時間が長いほど、きつく締め付けられます。

ファスナーやワークピースの損傷を防ぐため、過度に衝撃を与えないでください。

小さなファスナーに衝撃を与える場合、少ない衝撃で最適なトルクに達するの特に注意してください。

ご希望のトルクに達するまでに必要な時間に注意しながら、さまざまなファスナーで実行してください。

ハンドトルクレンチで締め付け具合を確認します。

ファスナーの締め付けがきつすぎる場合、衝撃を与える時間を減らします。

十分に締め付けられていない場合、衝撃を与える時間を増やします。

ネジ山やファスナーの先端の下にオイル、汚れ、さび、または他の原因があると、締め付け具合に影響が及びます。

ファスナーを緩めるには、接触面の状態に応じて、締め付けトルクの平均75%~80%のトルクが必要です。

簡単なガスケット作業では、それぞれのファスナーを比較的小さいトルクまで下げて、ハンドトルクレンチで最後の締め付けを行います。

### 駆動制御

トルク値は、バッテリー放電状態、バッテリーサイズ、衝撃時間、ボルトサイズなど様々な要因により異なります。トルクレンチで、必要なトルク値になっていることを必ず確認してください。これは精密締付ツールではありません。

モードでは、反対方向に動作する場合、本製品はナットが接合部から外れるまで上記のRPMとIPMで回転します。その後、ナットの取り外しで制御しやすいよう、本製品のRPMが遅くなります。

### バッテリー

しばらく使用していなかったバッテリーパックは使用前に再度充電を行ってください。

50℃を超える温度下ではバッテリーパックの性能が低下します。直射日光や高熱に長時間さらさないようにしてください(オーバーヒートの危険性があります)。

充電器とバッテリーパックの接触部はつねに清潔な状態にしてください。最適な寿命を保つため、使用後はバッテリーパックを完全に充電してから保管してください。

バッテリー寿命を最大に保つためにバッテリーをフル充電してから充電器から取り外してください。

バッテリーパックを30日以上保管する場合:

- 温度27℃度未満で湿気がない場所に保管する。
- 30~50%の充電状態で保管する。
- 6ヶ月に1回、通常通りに充電する。

### バッテリーパックの保護

極めて高いトルク、ピンディング、停動、および高電流を引き起こす短絡状態では、製品は約5秒間振動して燃料計が点滅してからオフになります。リセットするには、トリガーを解除してください。

過酷な環境下では、バッテリーパック内の温度が過剰に上昇する場合があります。この現象が起きると、バッテリーパックが冷たくなるまで燃料計が点滅します。ライトが消えた後も作業を続けてください。

### リチウムバッテリーの輸送

リチウムイオンバッテリーは、危険物規制の要件の対象となります。

このバッテリーの輸送は、地域、国、および国際的な規定および規制に従って行わなければなりません。

バッテリーの地上輸送には、それ以上の要件はありません。

第三者によるリチウムイオンバッテリーの商業輸送には、危険物規制が適用されます。輸送の準備と輸送は、適切な訓練を受けた人員のみが実施し、その作業には対応する専門家の同行が必要です。

バッテリーを輸送する場合:

- バッテリーの接触端子は、漏電を防ぐために保護と絶縁の処理がされていることを確認してください。
- バッテリーパックがパッケージ内で動かないように固定されていることを確認してください。
- ひびが入ったり液漏れが発生しているバッテリーは輸送しないでください。
- 詳細については、運送会社に確認してください。

### お手入れ

充電の際、充電器の排気口を塞がないでください。

### メンテナンス

ミルウォーキー(MILWAUKEE)の純正アクセサリとサービスパーツをご使用ください。記載されていない部品を交換する必要がある場合は、MILWAUKEEサービスセンターにお問い合わせください(保証リストまたはサービス所在地リストを参照してください)。

必要に応じて、製品の分解立体図をご注文いただけます。製品タイプとシリアル番号をラベルにご記入のうえ、お近くのサービスセンターで分解立体図をご注文ください。

### 記号



製品の使用を開始する前に、指示を注意深くお読みください。



注意! 警告! 危険!



作業前の調整時や保守・点検時は、本体からバッテリーを取り外してください。

$n_0$

回転数

IPM

衝撃範囲

V

電圧



直流



自治体の廃棄物に分類されない廃棄電池、電気機器、電子機器は廃棄しないでください。廃棄電池、電気機器、電子機器は、分別して収集する必要があります。廃棄電池、蓄電部、光源は、機器から取り外す必要があります。リサイクルに関しましては、お住いの自治体または販売店までご相談ください。自治体の規定によっては、小売業者は廃棄電池や電気機器、電子機器を無償で持ち帰る義務を有する場合があります。廃棄電池、電気機器、電子機器を再利用/リサイクルすることで、材料の必要性を減らすことができます。廃棄電池(特にリチウムを含む電池)や電気機器、電子機器には、貴重でリサイクル可能な材料が含まれており、環境に配慮した方法で廃棄しない場合、環境や人体の健康に害を及ぼすおそれがあります。廃棄機器に個人情報が入っている場合は、削除してください。





