

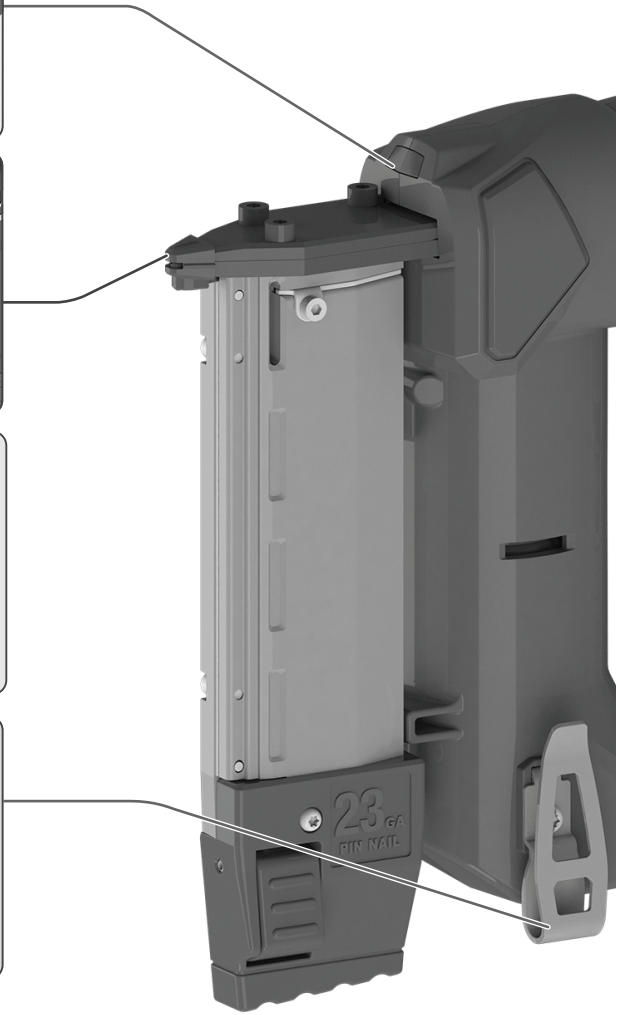
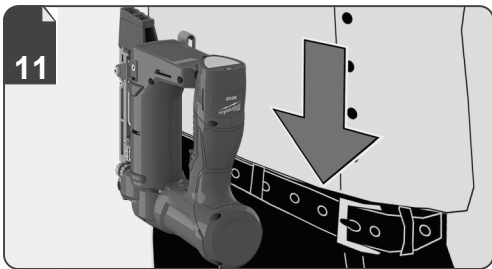
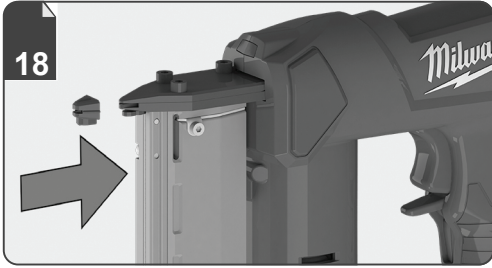
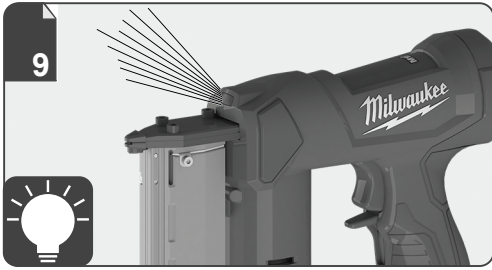
**Milwaukee™**

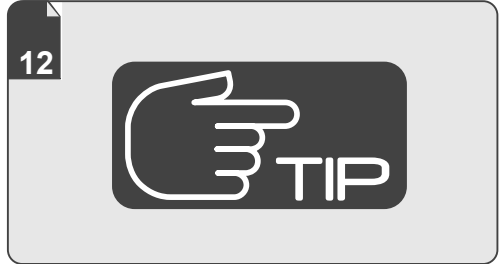
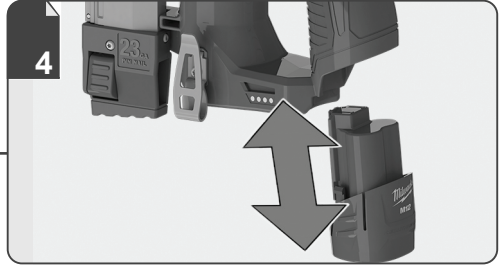
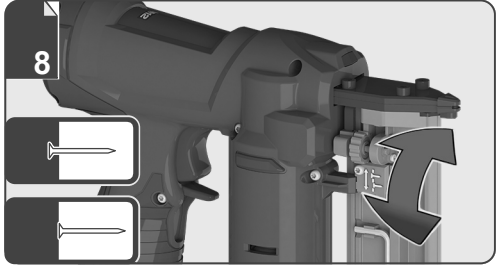
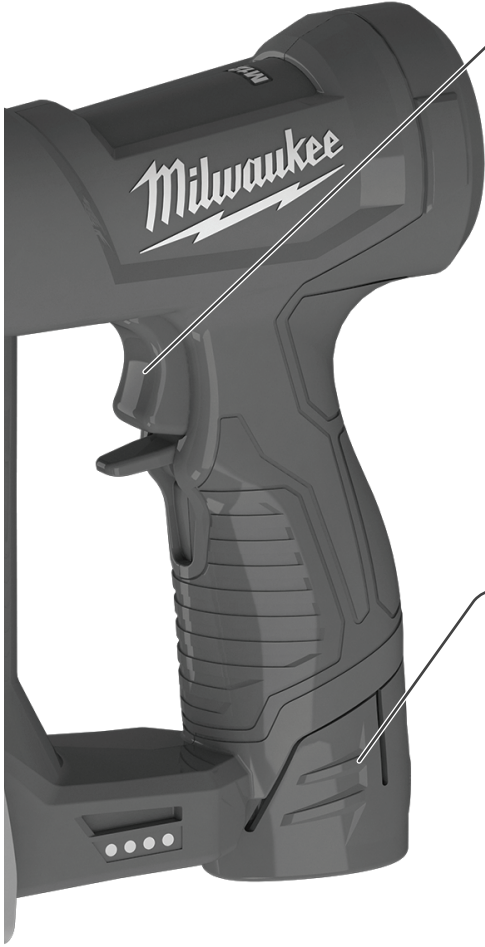
Nothing but **HEAVY DUTY.™**

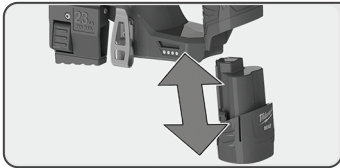


## M12 PN23GS

- ⓔ User Manual
- ⓩ 操作指南
- ⓩ 操作指南
- Ⓚ 사용시 주의사항
- Ⓣ คู่มือการใช้งาน
- Ⓜ Buku Petunjuk Pengguna
- Ⓥ Cẩm nang hướng dẫn sử dụng
- Ⓜ 取扱説明書







Remove the battery pack before starting any work on the product.  
對產品進行任何工作前，先移除電池組。

在开始任何工作之前，请先取出电池。

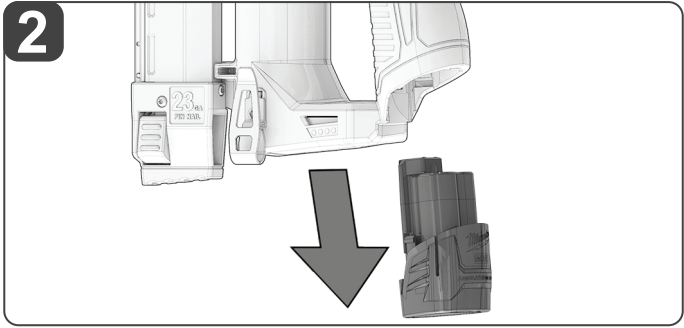
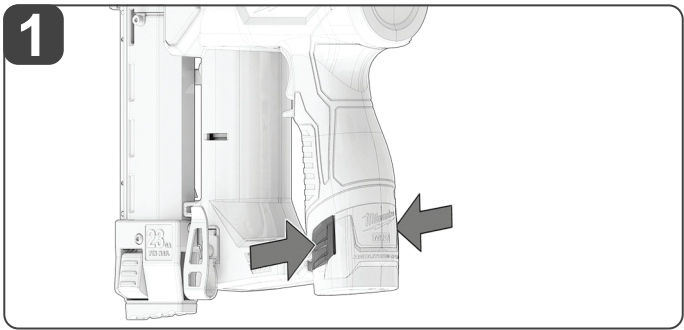
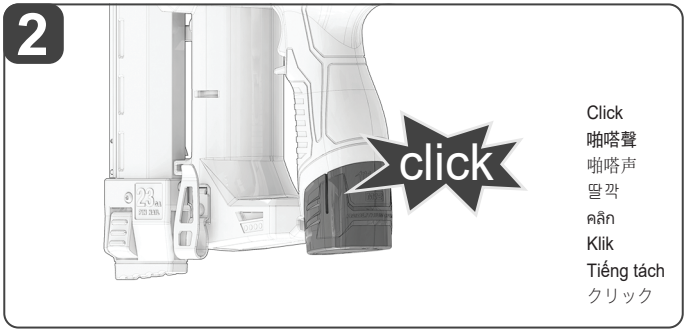
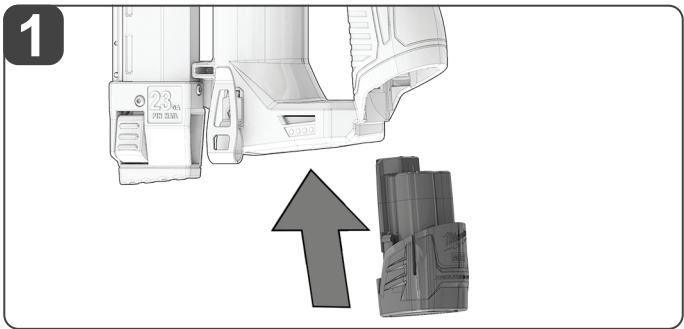
제품을 청소하거나 분리하기 전, 배터리 팩을 제거하십시오.

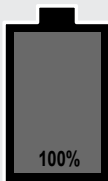
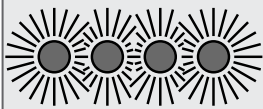
ถอดแบตเตอรี่ออกก่อนเริ่มการบำรุงรักษา

Lepaskan paket baterai sebelum memulai pekerjaan apa pun pada produk.

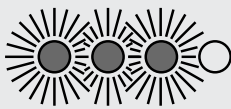
Tháo pin trước khi bắt đầu thao tác với sản phẩm.

作業前の調整時や保守・点検時は、本体からバッテリーを取り外してください。

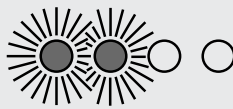




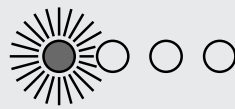
100%



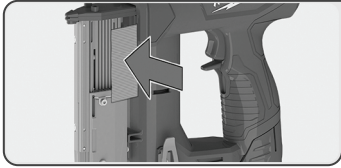
75%



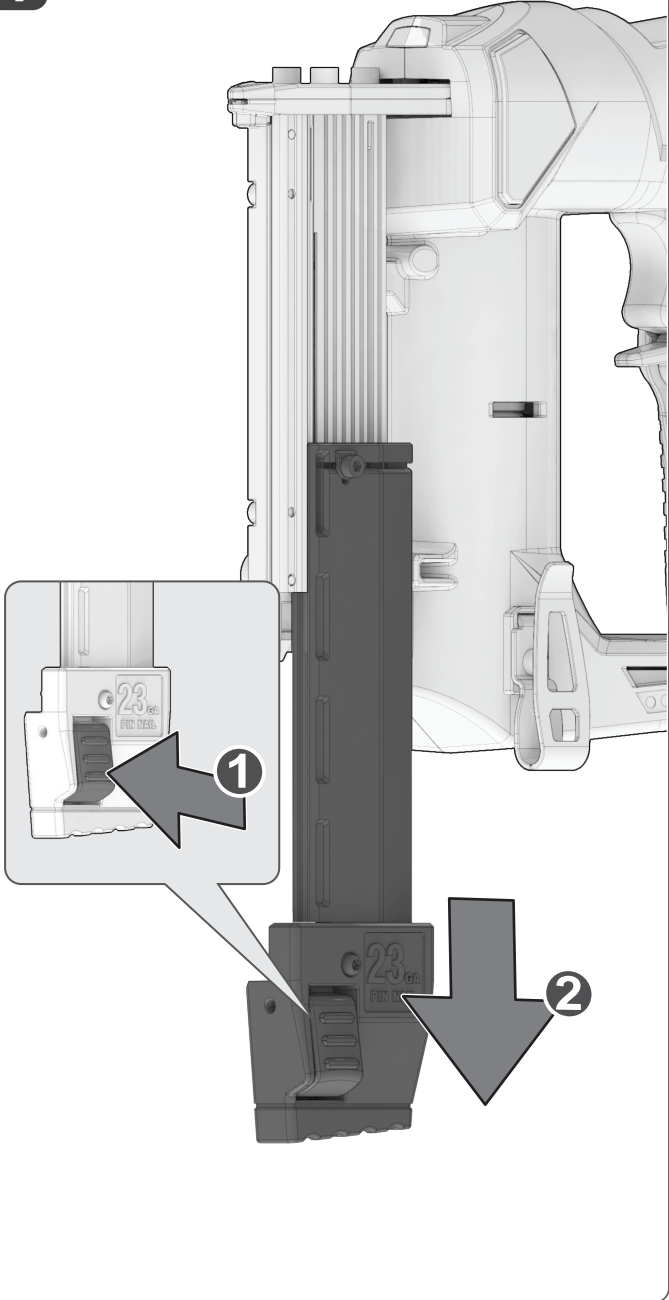
50%

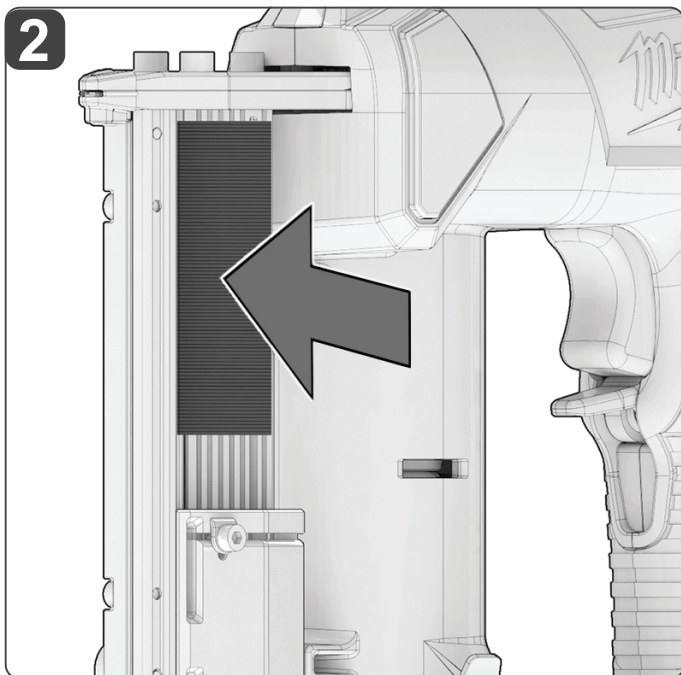


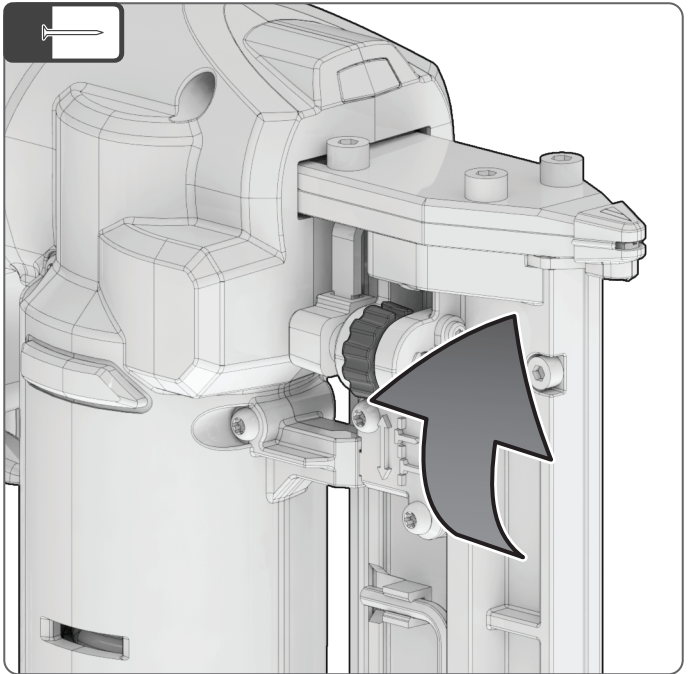
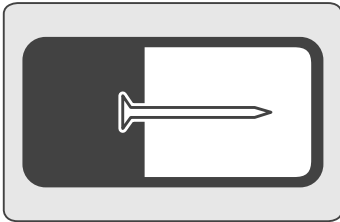
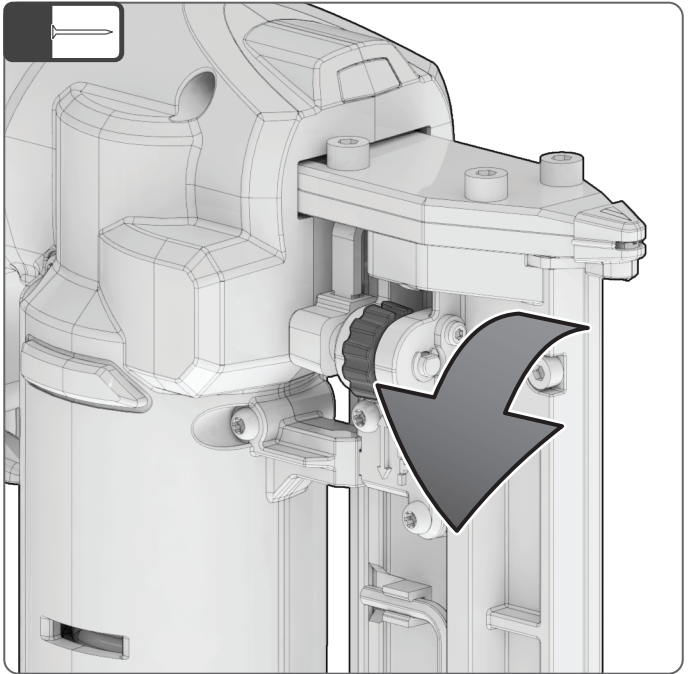
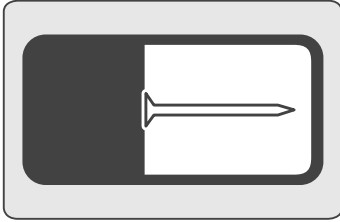
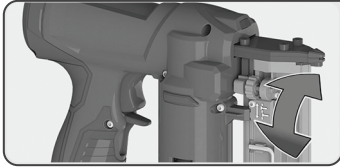
25%



1



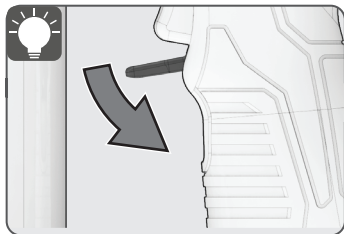
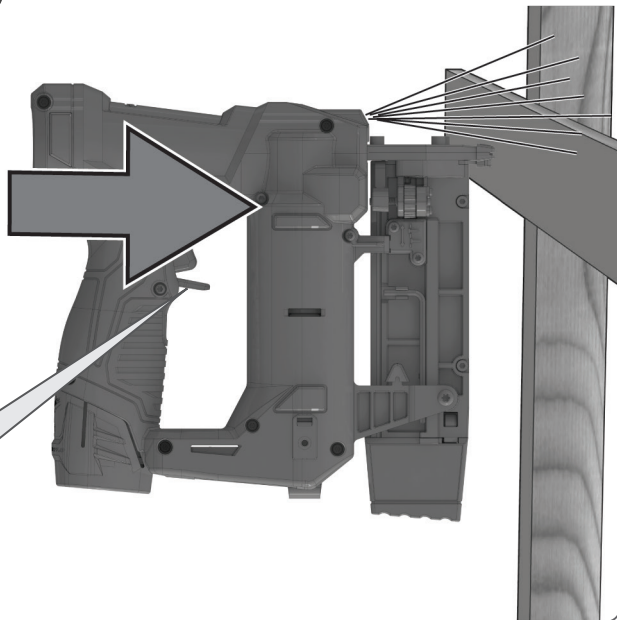




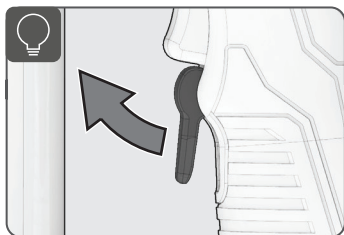
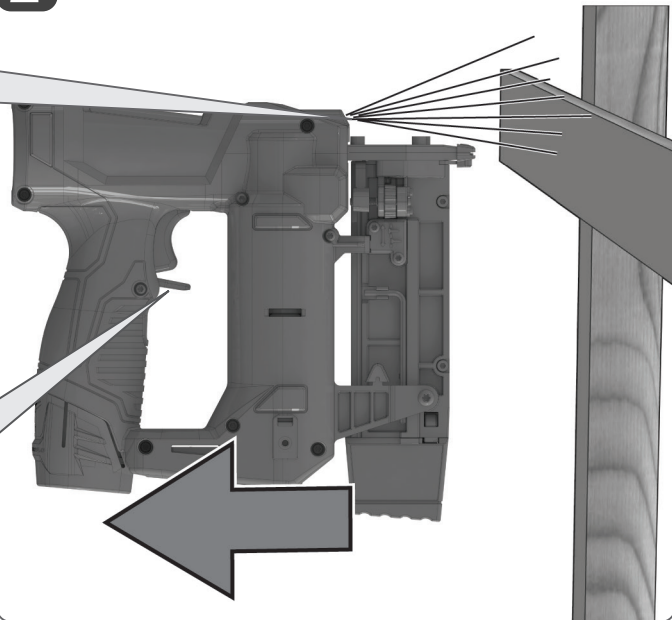




1

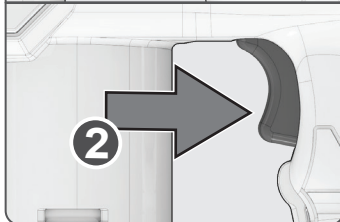
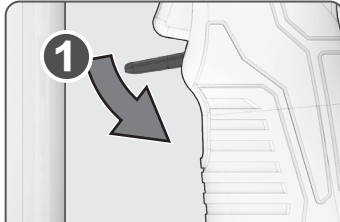
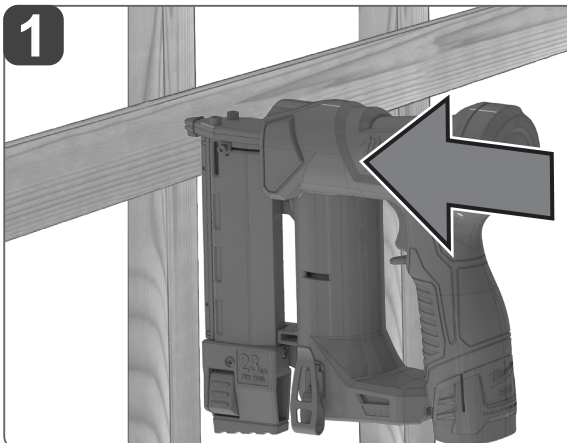


2

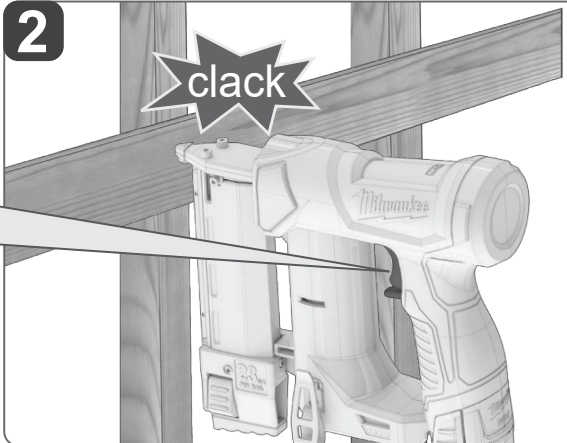




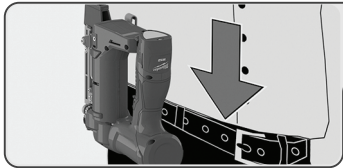
**1**



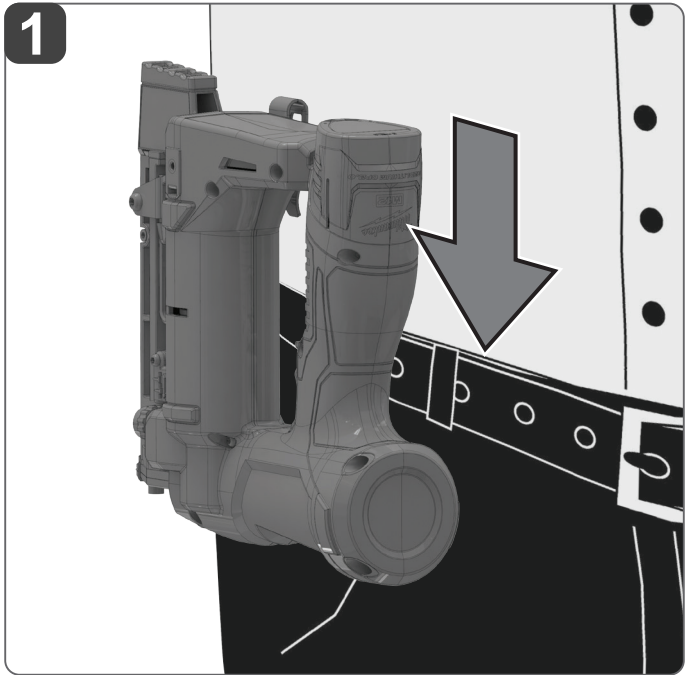
**2**



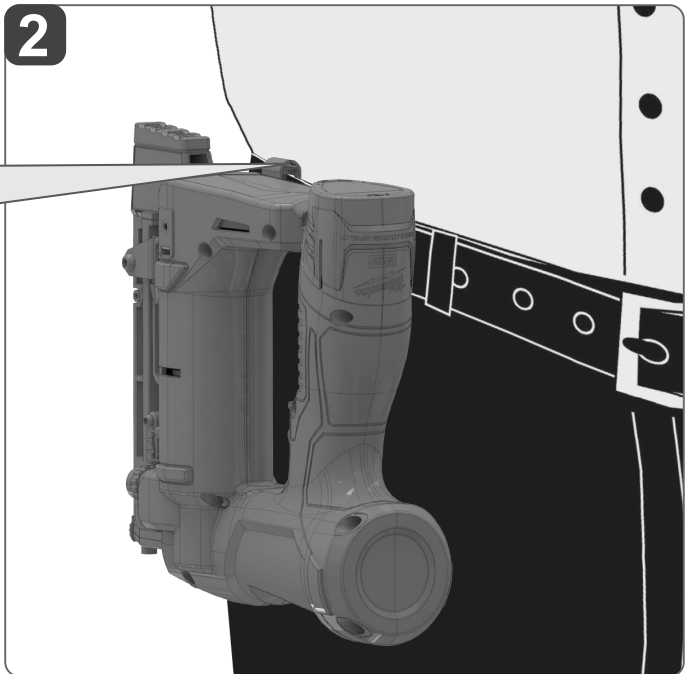
Clack  
 啪嗒聲  
 拍答聲  
 짝짝  
 แกร๊น  
 Berkeletak  
 Tiếng tách  
 クラック



1



2





Retract a dropped striker.

收回掉落的撞针。

收回掉落的撞针。

분리된 매거진 탄창을  
고정시킵니다.

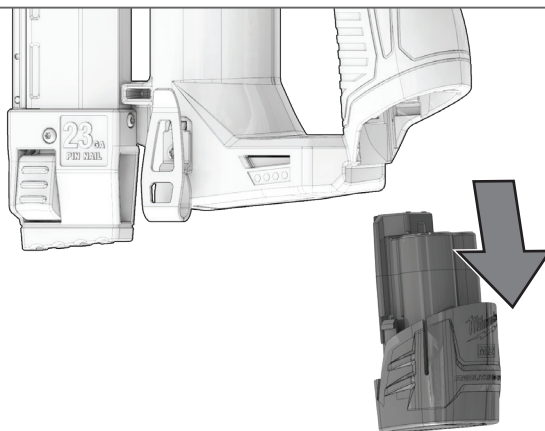
ถอดแบตเตอรี่ก่อนใส่ตะปูเพิ่ม

Tarik striker (pengait) yang  
turun.

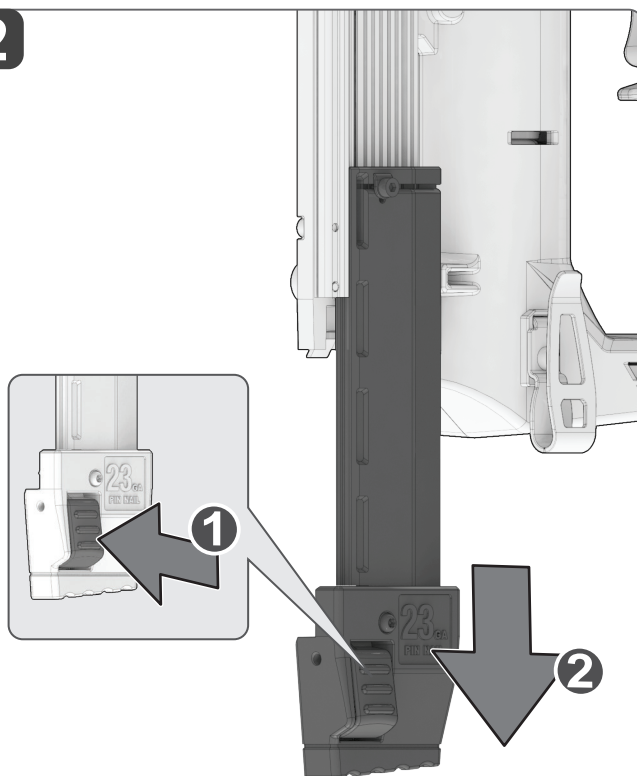
Nén thoi đẩy/lưỡi gà.

落下したストライカーを格納し  
ます。

1

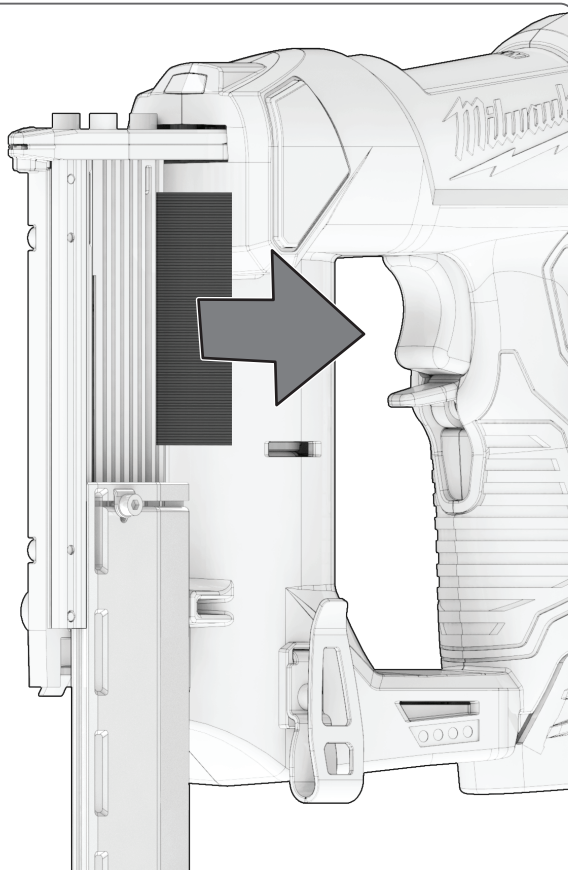


2





3



Clearing a jammed fastener

清除卡住的紧固件

清除卡住的紧固件

걸린 핀 빼내기

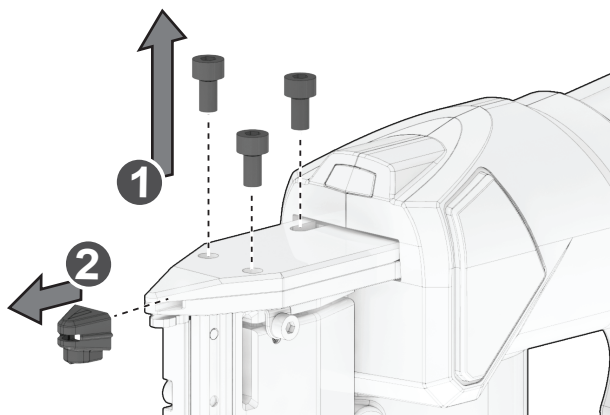
การนำตัวยึดที่ติดขัดออก

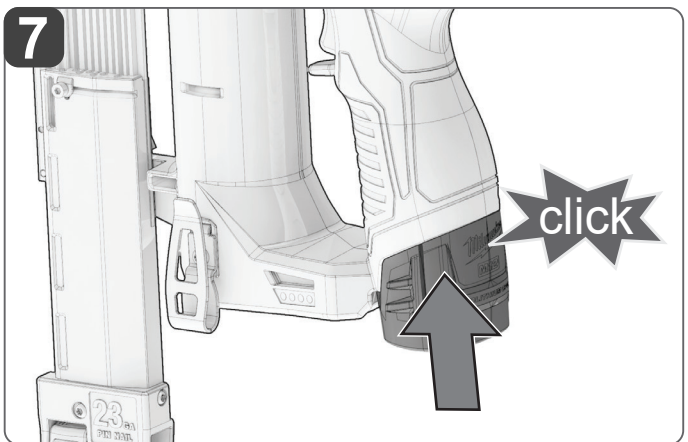
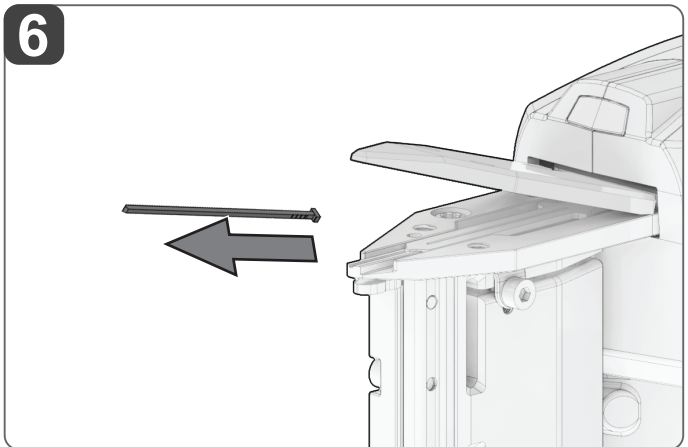
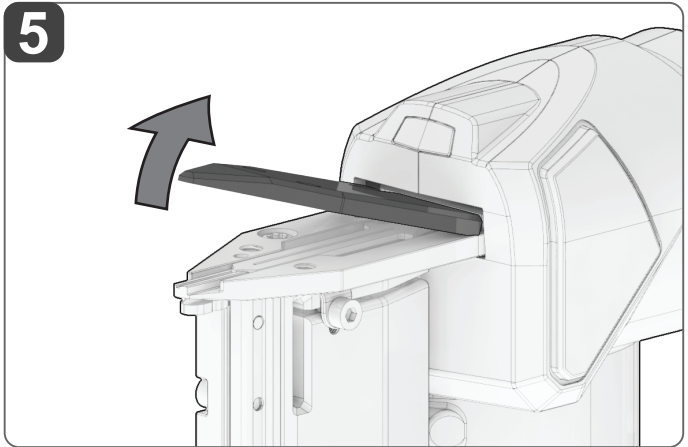
Memberskan pengikat yang tersumbat

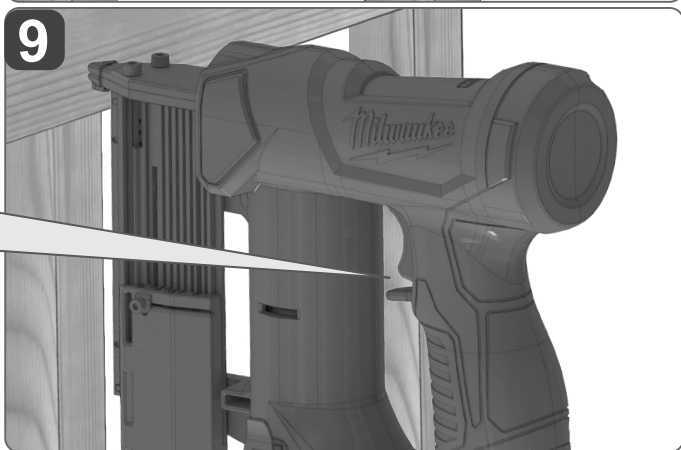
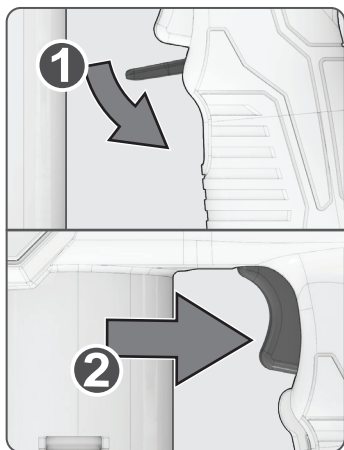
Gỡ/lấy đinh kẹt ra khỏi máy

詰まったファスナーの除去

4

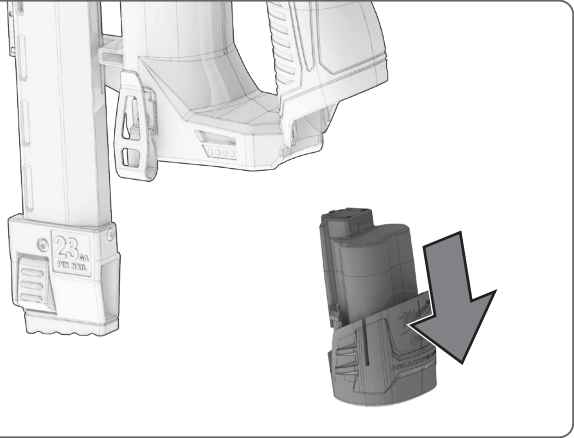




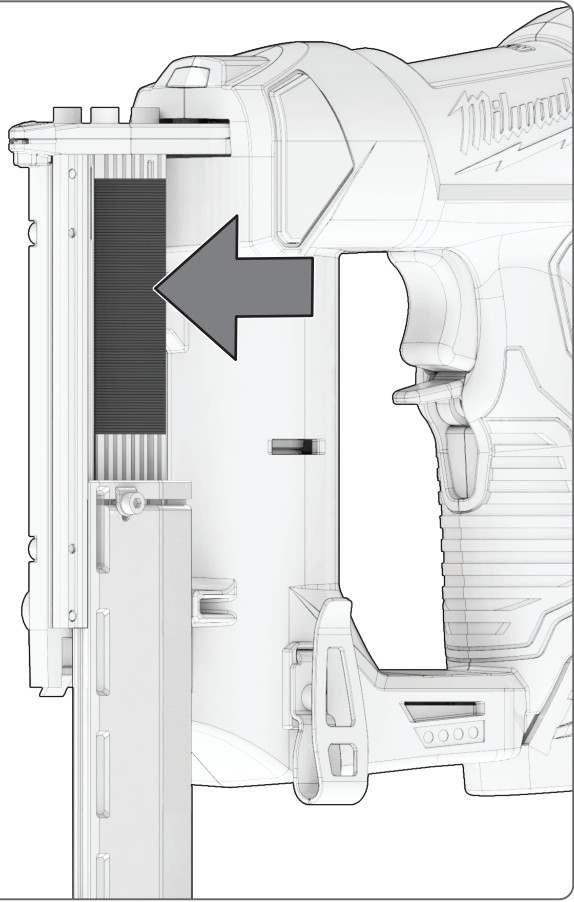




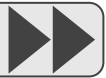
**10**



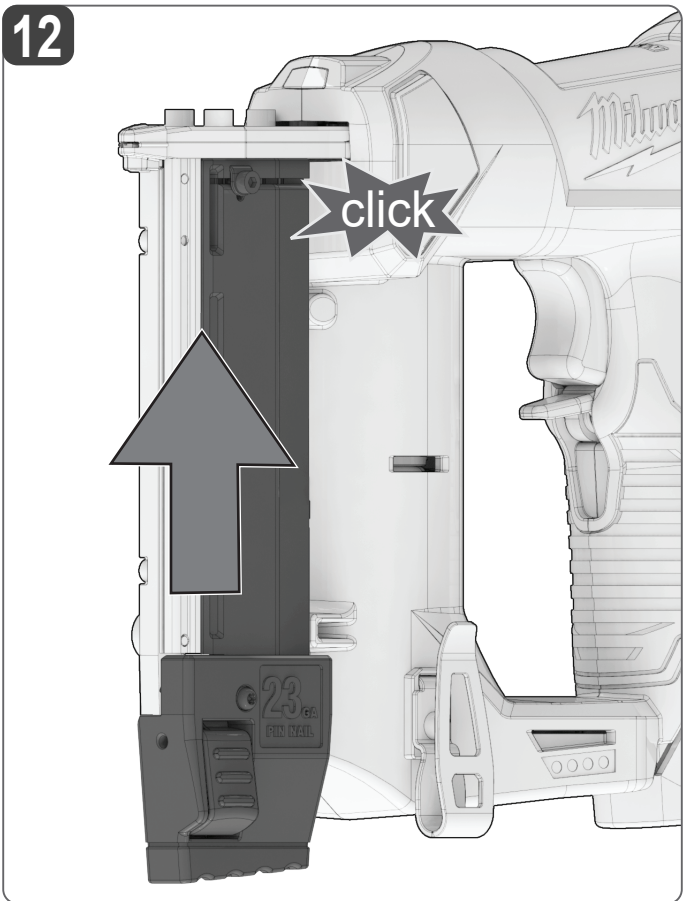
**11**



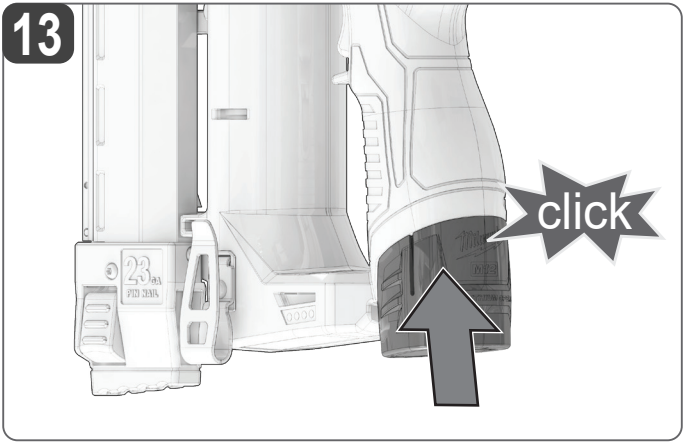


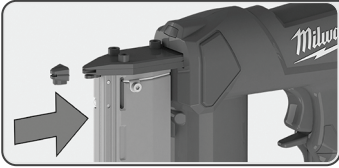


12



13





Attach the protective cap to protect sensitive surfaces.

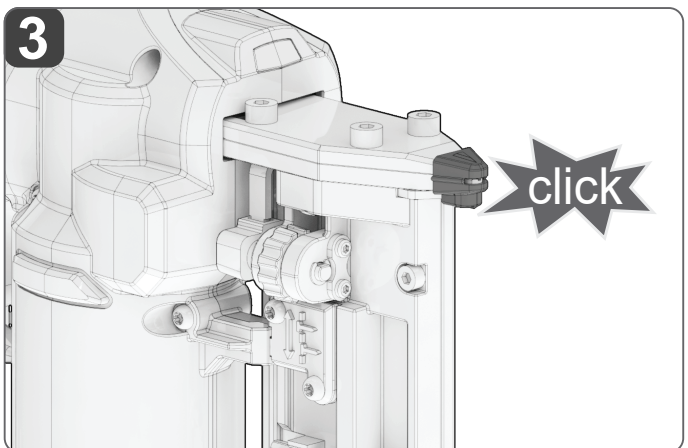
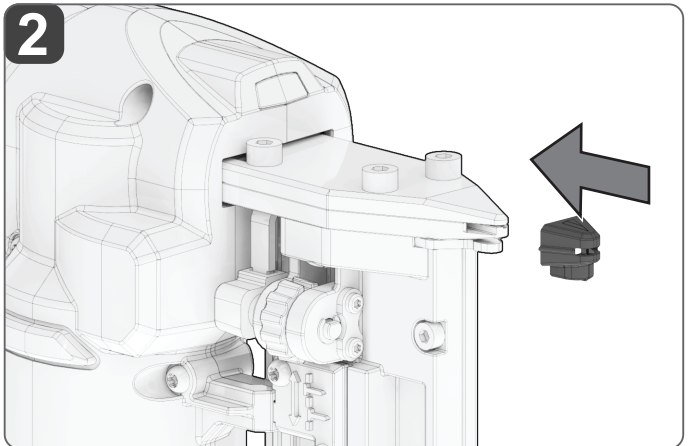
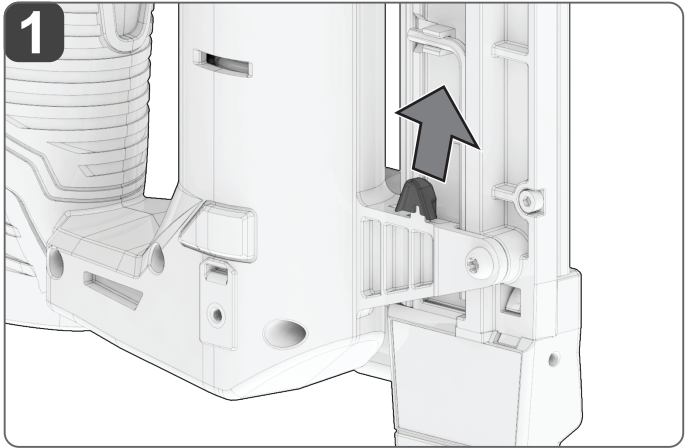
安裝保護蓋以保護敏感表面。  
安裝保護蓋以保護敏感表面  
마감재의 표면을 보호하려면  
보호 덮개를 부착합니다.

ติดตั้งฝาครอบป้องกันเพื่อป้องกันพื้นผิวที่อ่อน

Pasang tutup pelindung untuk melindungi permukaan yang sensitif.

Gắn nắp bảo vệ để bảo vệ các bề mặt nhạy cảm.

繊細な表面を保護するため、保護キャップを取り付けてください。



**TECHNICAL DATA**
**M12 PN23GS**

Type	Cordless nailer
Battery voltage	12 V ---
Cycle rate	2/sec
Collation angle	0°
Fastener type	Headless pin nail
Diameter	0.58 mm (23 Ga)
Min/Max length	13 mm – 35 mm
Magazine capacity (number of nails)	118-136
Weight according EPTA-Procedure 01/2014 (2.0 Ah - 6.0 Ah)	2.1 kg - 2.4 kg
Recommended ambient operating temperature	-18 – +50 °C
Recommended battery types	M12B..., M12 HB...
Recommended charger	C12C..., M12-18...

**⚠ WARNING! Read all safety warnings, instructions, illustrations and specifications provided with this power tool.** Failure to follow all instructions listed below may result in electric shock, fire, and/or serious injury.

**Save all warnings and instructions for future reference.**

**CORDLESS NAILER SAFETY WARNINGS**

**Always assume that the tool contains fasteners.** Careless handling of the nailer can result in unexpected firing of fasteners and personal injury.

**Do not point the tool towards yourself or anyone nearby.** Unexpected triggering will discharge the fastener causing an injury.

**Do not actuate the tool unless the tool is placed firmly against the workpiece.** If the tool is not in contact with the workpiece, the fastener may be deflected away from your target.

**Disconnect the tool from the power source when the fastener jams in the tool.** While removing a jammed fastener, the nailer may be accidentally activated if it is plugged in.

**Use caution while removing a jammed fastener.** The mechanism may be under compression and the fastener may be forcefully discharged while attempting to free a jammed condition.

**Do not use this nailer for fastening electrical cables.** It is not designed for electric cable installation and may damage the insulation of electric cables thereby causing electric shock or fire hazards.

**Wear ear protectors.** Exposure to noise can cause hearing loss.

**Hold power tool by insulated gripping surfaces, when performing an operation where the nail may contact hidden wiring.** Nails contacting a "live" wire may make exposed metal parts of the power tool "live" and could give the operator an electric shock.

**Always wear eye protection with side shields.** Everyday glasses have only impact resistant lenses. They are not safety glasses. Following this rule will reduce the risk of serious personal injury.

**Eye protection provides protection against flying particles both from the front and side should always be worn by the operator and others in the work area when loading, operating or servicing this tool.** Eye protection is required to guard against flying fasteners and debris, which could cause severe eye injury.

Always remove the battery pack before adjusting the depth of drive wheel. Do not pull back on the adjustment wheel, the wheel is designed to be rotated.

Do not press the trigger while adjusting the depth of drive wheel. Always select full sequential firing mode before adjusting the depth of drive.

Do not point the tool towards yourself or anyone nearby when adjusting the depth of drive.

**ADDITIONAL SAFETY AND WORKING INSTRUCTIONS**

Always be aware that misuse and improper handling of the product can cause injury to yourself and others.

The product is designed for single-hand use. Do not hold the product by the front of the magazine. Do not put hands, head, or other parts of your body near the bottom of the magazine where the nail exits the product, as this causes serious personal injury.

Always ensure that the workpiece contact is fully positioned above the workpiece. Positioning the workpiece contact only partially above the workpiece could cause the nail to miss the workpiece completely and result in serious personal injury.

Do not drive nails near the edge of the material. The workpiece may split causing the nail to ricochet, injuring you or a co-worker. Be aware that the nail may follow the grain of the wood, causing it to protrude unexpectedly from the side of the work material or deflect, possibly causing injury.

Keep hands and body parts clear of the immediate work area. Hold the workpiece with clamps when necessary to keep hands and body out of potential harm. Make sure that the workpiece is properly secured before pressing the fastener against the material. The workpiece contact may cause the work material to shift unexpectedly. Keep face and body parts away from the back of the product cap when working in restricted areas. Sudden recoil can result in impact to the body, especially when nailing into hard or dense material.

During normal use, the product recoils immediately after driving a fastener. This is a normal function of the product. Do not attempt to prevent the recoil by holding the nailer against the work. Restriction to the recoil can result in a second fastener being driven from the nailer. Grip the handle firmly, let the product do the work and do not place a second hand on top of the product or near the exhaust at any time. Failure to heed this warning can result in serious personal injury.

Do not drive fasteners on top of other fasteners or with the product at an overly steep angle as this may cause deflection of fasteners, which could cause injury.

Always check the work area for hidden wiring, gas lines, water lines, etc., before using the product on such work area.

After using the product in the contact actuation mode, switch it back to the full sequential mode.

The driving depth of the nail may be adjusted beyond air pressure. It is advisable to test the depth on a scrap workpiece to determine the required depth for the application.

Only fasteners matching the description in the Technical Data can be used with the product. Using incorrect fasteners may lead to jamming or other malfunctions.

Do not select contact actuation mode when working on scaffolds, ladders, or platforms where you may need to move your body position. You may unintentionally fire a nail by inadvertent activation of the workpiece contact while moving about if the contact actuation mode is selected. When moving positions, select full sequential activation or deactivate the product completely by removing the battery pack. This reduces the potential for injury to yourself and others.

Remove the battery pack before starting any work on the product.

### BATTERY SAFETY INSTRUCTIONS

Do not dispose of used battery packs in the household refuse or by burning them. MILWAUKEE distributors offer to retrieve old batteries to protect our environment.

Do not store the battery pack together with metal objects (short circuit risk).

Use only M12 System chargers for charging M12 System battery packs. Do not use battery packs from other systems.

Never break open battery packs and chargers, and store them only in dry rooms. Keep the battery packs and chargers dry at all times.

Battery acid may leak from damaged batteries under extreme load or extreme temperatures. In case of contact with battery acid, wash it off immediately with soap and water. In case of eye contact, rinse thoroughly for at least 10 minutes and immediately seek medical attention.

No metal parts must be allowed to enter the battery section of the charger (short circuit risk).

### ADDITIONAL BATTERY SAFETY WARNINGS

**⚠ WARNING!** To reduce the risk of fire, personal injury, and product damage due to a short circuit, never immerse the product, battery pack, or charger in fluid or allow fluid to flow inside them. Corrosive or conductive fluids, such as seawater, certain industrial chemicals, and bleach or bleach-containing products, etc., can cause a short circuit.

### SPECIFIED CONDITIONS OF USE

The product is intended for driving nails into wood or similar soft materials from a magazine containing a strip of suitable nails. The nails that can be safely loaded into the magazine for the product are described in the product specifications table in this manual. Do not use any other type of nail or fixing with the product.

Do not use the product for any other purpose.

### RESIDUAL RISKS

Even when the product is used as prescribed, it is still impossible to completely eliminate certain residual risk factors. The following hazards may arise during use and the operator should pay special attention to avoid:

- injury caused by vibration
  - Hold the product by designated handles and restrict working time and exposure.
- hearing injury caused by exposure to noise
  - Restrict exposure and wear appropriate hearing protection.
- injuries due to flying debris
  - Wear appropriate personal protective equipment, heavy long trousers, gloves, substantial footwear, and safety glasses, at all times.
- health hazards caused by breathing toxic dusts
  - Wear a mask if necessary.

### BATTERIES

Battery packs that have not been used for some time should be recharged before use.

Temperatures in excess of 50 °C reduce the performance of the battery pack. Avoid extended exposure to heat or sunshine (risk of overheating).

The contacts of the chargers and battery packs must be kept clean.

For an optimum lifetime, the battery packs have to be fully charged after use.

To obtain the longest possible battery life, remove the battery pack from the charger once it is fully charged.

For battery pack storage longer than 30 days:

- Store the battery pack where the temperature is below 27 °C and away from moisture.
- Store the battery packs in a 30% – 50% charged condition.
- Every six months of storage, charge the pack as normal.

### BATTERY PACK PROTECTION

In extremely high torque, binding, stalling, and short circuit situations that cause high current draw, the product vibrates for about 5 seconds, the fuel gauge flashes, and then the product turns off. To reset, release the trigger.

Under extreme circumstances, the internal temperature of the battery pack could become too high. If this happens, the fuel gauge flashes until the battery pack cools down, and then you may continue working.

### TRANSPORTING LITHIUM BATTERIES

Lithium-ion batteries are subject to the Dangerous Goods Legislation requirements.

Transportation of those batteries has to be done in accordance with local, national, and international provisions and regulations.

Batteries can be transported by road without further requirements.

Commercial transport of lithium-ion batteries by third parties is subject to Dangerous Goods Regulations. Transport preparation and transport are exclusively to be carried out by appropriately trained persons and the process has to be accompanied by corresponding experts.

When transporting batteries:

- Ensure that the battery contact terminals are protected and insulated to prevent short circuit.
- Ensure that the battery pack is secured against movement within the packaging.
- Do not transport batteries that are cracked or leaking.
- Check with the forwarding company for further advice.

### MAINTENANCE

Keep the product, battery pack, and charger in good condition by adopting a regular maintenance program. Inspect the product for issues, such as undue noise, misalignment, binding of moving parts, breakage of parts, or any other condition that may affect the product's operation.

After six months to one year, depending on use, return the product, battery pack, and charger to a MILWAUKEE service centre for inspection.

If the product does not start or operate at full power with a fully charged battery pack, clean the contacts on the battery pack. If the product still does not work properly, return the product, charger, and

battery pack to a MILWAUKEE service centre for repairs.

Keep the ventilation slots of the product clear at all times.

Use only MILWAUKEE accessories and MILWAUKEE spare parts. Should components that have not been described need to be replaced, contact one of our MILWAUKEE service centres (see our list of guarantee or service addresses).

If needed, an exploded view of the product can be ordered. State the product type and the serial number on the label, and order the drawing at your local service centres.

### CLEANING

Clean dust and debris from the ventilation slots. Keep product handles clean, dry, and free of oil or grease. Use only mild soap and a damp cloth to clean the product since certain cleaning agents and solvents are harmful to plastics and other insulated parts. Some of these include gasoline, turpentine, lacquer thinner, paint thinner, chlorinated cleaning solvents, ammonia, and household detergents containing ammonia. Never use flammable or combustible solvents around tools.

### REPAIRS

Return the product, battery pack, and charger to a MILWAUKEE service centre for repair.

### ACCESSORIES

**WARNING!** Use only recommended accessories. Other accessories may be hazardous.

For a complete listing of accessories, go online to [www.milwaukeeetool.asia](http://www.milwaukeeetool.asia).

### SYMBOLS



Read the instructions carefully before starting the product.



CAUTION! WARNING! DANGER!



Remove the battery pack before starting any work on the product.



Always wear goggles when using the product.



Wear ear protectors.



Wear a suitable dust protection mask.



Wear gloves.



Fastener type  
Diameter  
Min/Max length



Keep hands away.



Content under pressure. Do not open the product. Serious injury may occur. Return to an authorised service centre for all repairs.

$n_0$

No-load speed

V

Voltage



Direct current



Do not dispose of waste batteries, waste electrical and electronic equipment as unsorted municipal waste. Waste batteries and waste electrical and electronic equipment must be collected separately. Waste batteries, waste accumulators, and light sources have to be removed from equipment. Check with your local authority or retailer for recycling advice and collection point. According to local regulations, retailers may have an obligation to take back waste batteries and waste electrical and electronic equipment free of charge. Your contribution to the reuse and recycling of waste batteries and waste electrical and electronic equipment helps to reduce the demand of raw materials. Waste batteries, in particular containing lithium, and waste electrical and electronic equipment contain valuable and recyclable materials, which can adversely impact the environment and the human health if not disposed of in an environmentally compatible manner. Delete personal data from waste equipment, if any.

類型	電動釘槍
電池電壓	12 V ---
循環率	2/sec
釘匣角度	0°
緊固件類型	無頭蚊釘
直徑	0.58 mm (23 Ga)
最小/最大長度	13 mm - 35 mm
釘匣容量 (釘子數目)	118-136
根據 EPTA-Procedure 01/2014 所測得的重量 (2.0 Ah - 6.0 Ah)	2.1 kg - 2.4 kg
建議操作環境溫度	-18 - +50 °C
建議電池組類型	M12B... , M12 HB... ,
建議充電器	C12C... , M12-18...

**警告！** 請閱讀本電動工具隨附的所有安全警告、說明、插圖和規格不遵循這些警告和說明會導致觸電、火災和/或嚴重傷害。

將所有警告和說明保存好，方便以後查閱。

### 電動釘槍

務必假定產品包含緊固件。不小心操作釘槍可能會導致緊固件意外著火，並且造成人身傷害。

不要將產品指向自己或附近的任何人。意外觸發會釋放氣壓導致傷害。

除非將工具牢固地放在工件上，否則不要啟動工具。如果工具跟工件未有接觸，則緊固件可能偏離目標。

在安裝和移除緊固件前，務必斷開工具的電源。卸下卡住的緊固件時，如果插入電池，釘槍可能會意外地啟動。

卸下卡住的緊固件時要格外小心。該機械裝置可能處於壓縮狀態，緊固件可能被強制彈出。

切勿以釘槍固定電纜。它不是為電纜安裝設計的，並可能損壞電纜的絕緣部份，從而導致觸電或火災。

佩戴防護耳罩。暴露在噪聲中可能會導致聽力受損。

當使用者進行操作時，緊固件可能會接觸到隱藏的電線，故此必須握住電動工具的絕緣握持面。切割刀片接觸火線可能會導致電動工具裸露的金屬部分帶電，可能會導致操作人員觸電。

務必佩戴帶側罩的護目鏡。日常眼鏡只有抗衝擊眼鏡片。它們不是安全眼鏡。遵循此規則將降低嚴重人身傷害的風險。

在裝上釘子、操作或維修此工具時，使用者及工作區域中的所有人員務必佩戴護目鏡，以防止來自正面和側面的飛散顆粒。需要佩戴護目鏡，以防止飛散的緊固件和碎片，這可能會導致嚴重的眼睛受傷。

調整驅動輪的深度之前，請務必取出電池。不要向後拉調節輪，輪子設計成可旋轉的。

調整驅動輪的深度時，請勿按下扳機。在調整驅動深度之前，請務必選擇完全順序打釘模式。

在調整驅動深度時，不要將工具指向自己或附近的任何人。

### 其他安全和工作說明

請務必注意，濫用和不當使用本產品可能會對您自己及他人造成傷害。

本產品專為單手使用而設計。切勿以釘匣的正面握著本產品。切勿將手、頭或身體的其他部位接近釘匣的底部（釘子的出口），否則可能造成嚴重的人身傷害。

務必確保工件的觸點完全置於工作的上方。如果工件接觸的部分只是部份定位在工件的上方，可能無法在工件上打釘，並且導致嚴重的人身傷害。

切勿在材料的邊緣打釘。工件可能裂開，導致釘子反彈，並傷害您或

同事。請注意釘子可能跟隨木頭的紋理，導致從工作材料的側邊意外地突出彎曲，從而可能造成傷害。

保持手和身體部位遠離直接工作區域。有需要時以夾具夾住工件，保持雙手及身體遠離潛在的傷害。將緊固件壓在材料前，確保工件已妥當地穩固。接觸工件可能導致工作中的物料意外移動。在限制的區域內工作時，保持臉部及身體部位遠離產品蓋的後面。突然的反沖力可以對身體造成衝擊，尤其當在硬或密度中的材料上打釘時。

在正常使用過程中，產品在驅動緊固件後會立即回彈。這是產品的正常功能。切勿嘗試以靠在工件上握著釘槍來防止反彈。限制後坐力，可能導致第二個緊固件在釘槍中被驅動。緊握著把手，讓產品完成工作；在任何時間，切勿將另一隻手放在產品的上方或接近排氣口。不注意此警告可能會導致嚴重的人身傷害。

請勿將緊固件驅動在其他緊固件的頂部或與產品成太陡的角度，否則可能會導致緊固件偏斜，從而造成傷害。

在此類工作區上使用產品之前，請務必檢查工作區是否有隱藏的電線、氣體管線、水管等。

在接觸啟動模式下使用產品後，將其切換回完整順序模式。

釘子的打入深度可以調節到超過氣壓。建議測試廢料工件的深度，以確定應用所需的深度。

本產品只能使用與技術數據表中的描述相符的緊固件。使用不正確的緊固件可能會導致卡住或其他故障。

在需要改變工作位置的情況，如在腳手架、梯子或其他平台上工作時，切勿選擇接觸模式。如果選擇了接觸驅動模式，則可能移動時接觸工件，意外地觸發釘子。在移動位置時，選擇完整順序啟動或通過卸下電池組完全停用產品。這將減少傷害自己和他人的可能性。

對產品進行任何工作前，先移除電池組。

### 電池組安全說明

請勿將用過的電池組與家庭廢棄物混合或燃燒電池組。MILWAUKEE 提供舊電池組回收服務，以保護我們的環境。

請勿將電池組與其他金屬物品一起存放（可能引起短路風險）。

僅可使用 M12 系統充電器對 M12 系統電池組進行充電。請勿使用其他系統的電池組。

切勿拆開電池組和充電器。電池組和充電器必須儲藏在乾燥的空間，勿讓濕氣滲入。必須經常保持乾燥。

在極端負載或極端溫度下，損壞的電池組可能漏出內部酸液。若碰到電池組酸液，請即刻用肥皂與清水沖洗乾淨。若酸液接觸到眼睛，以清水徹底沖洗至少10分鐘後立即就醫。

切勿讓金屬部份接觸充電器的電池組部份（可能引起短路風險）。

### 附加電池組安全警告

**警告！** 為了減少因短路而導致火災、人身傷害和本工具損壞的風險，請勿將工具、電池組或充電器浸沒在液體中或使液體流入其中。

腐蝕性或導電性流體（如海水、某些工業化學品、以及漂白劑或含漂白劑的產品等）都會導致短路。

#### 特定使用條件

產品的釘匣應包含適當釘子條，可以在木條或類似的軟物料上打釘。本操作說明書中的技術規格中描述了可以安全地裝入釘匣中的釘子。切勿使用其他類型的釘子或以釘槍固定。

請勿將本工具用於任何其他目的。

#### 殘餘風險

即便已按規定使用工具，仍然不可能完全消除某些殘留的風險因素。使用時可能會出現以下危險，使用者應特別注意以下事項：

- 振動引起的損傷
  - 握住工具指定的把手，並限制工作時間的長短及暴露風險。
- 因接觸噪聲導致聽力傷害
  - 限制接觸時間的長短和佩戴適當的聽力保護裝置。
- 因飛濺的碎片而受傷
  - 務必每刻都穿戴適當的個人防護裝備，厚的長褲、手套、結實的鞋類和安全眼鏡。
- 因吸入有毒的粉塵所導致的健康危害
  - 必要時可佩戴防護口罩。

#### 電池組

久未使用的電池組必須重新充電後再使用。

超過50 °C的高溫會降低電池組的效能。避免長時間暴露於高溫或陽光下（可能導致過熱風險）。

充電器和電池組的接觸點處應保持清潔。

為確保最佳電池組使用壽命，電池組使用後應再完全充電。

為確保電池組的最長壽命，充電完成後，請勿將電池組繼續留在充電器上。

電池組儲存時間長於30日：

- 將電池組存放於溫度低於27 °C的環境，且避免受潮；
- 將電池組保持在電量為 30% - 50%的狀態
- 存放中的電池組應每六個月照常充電一次。

#### 電池組過載保護

因一些諸如極高的扭力、卡住、突然停機和線路短路發生的情況下，會導致高電流消耗，本工具將振動的5秒，電量計閃爍，然後本工具將停止及關閉。如要重置，鬆開扳機。

在極端情況下，電池組內部的溫度可能變得太高。如果發生這種情況，電池燈會閃爍直至電池冷卻下來，然後您可以繼續工作。

#### 運輸鋰電池組

鋰離子電池組須受制於危險品法例的要求。

運送鋰電池組必須在符合當地、國家及國際標準及法例的情況下進行。

使用者可於陸地上運送電池組而毋須受限；

第三方負責的商業式鋰電池組運送須受制於危險品法例。運送的預備及過程必須由受專業訓練的人士進行，亦必須得到專家在場監管。

運送電池組時：

- 請確保電池組接觸端子受到嚴密保護及經過絕緣，防止短路；
- 請確保電池組妥善包裝，防止碰撞磨擦；
- 切勿運送已有裂痕或已有洩漏的電池組。
- 建議與速遞公司緊密聯繫以獲得進一步資訊。

#### 維修

透過定期維護計劃，保持工具、電池組和充電器處於良好狀態。檢查產品是否存在問題，例如過度噪音、未對准或轉動部件卡住、破損或任何可能影響產品運行的情況。

過了六個月到一年後，根據使用情況，將工具、電池組和充電器送回 MILWAUKEE 服務中心進行檢查。

如果工具無法在電池組充滿電的情況下啟動或以全功率運行，請清潔電池組上的接觸點。如果工具仍然無法正常運作，請將工具、充電器和電池組退回 MILWAUKEE 服務中心進行維修。

本產品的通風孔必須時刻保持暢通。

只能使用 MILWAUKEE 配件和備件。如果需要更換的組件在此沒有介紹，請與其中一個 MILWAUKEE 服務代理機構聯繫（參見我們的維修/服務地址列表）。

如果需要，可以訂閱本工具的分解圖。諮詢圖件時，請您向當地的顧客服務中心提供以下資料：銘牌上的工具類型和序列號。

#### 清潔

清除通風槽中的灰塵和碎屑。保持產品把手清潔、乾燥、無油或潤滑脂。由於某些清潔劑和溶劑對塑料及其他絕緣部件有害，所以只能使用溫和的肥皂和濕布來清潔產品。其中一些包括汽油、松節油、漆稀釋劑、油漆稀釋劑、氯化清潔溶劑、氨和含氨的家用洗滌劑。切勿在工具的附近使用可燃或易燃溶劑。

#### 維修

將工具、電池組和充電器退回 MILWAUKEE 服務中心進行維修。

#### 配件

警告！僅使用推薦的配件。使用其他配件可能很危險。

如需完整的配件列表，請瀏覽 [www.milwaukeetool.asia](http://www.milwaukeetool.asia)。

#### 符號



啟動工具前，請仔細閱讀本說明。



注意！警告！危險！



對產品進行任何工作前，先移除電池組。



使用本工具時務必佩戴護目鏡。



佩戴防護耳罩。



戴上適當的防塵罩。



佩戴手套。



緊固件類型  
直徑  
最小/最大長度



保持雙手遠離。



受壓的物件。請勿打開產品。可能會發生嚴重傷害。  
返回授權服務中心進行所有維修。

$n_0$

無負載轉速

V

電壓



直流電



請勿將廢電池組、廢電器、廢電子設備等廢棄物作為未分類城市廢棄物進行處理。必須分開回收廢電池組、廢電器及廢電子設備。廢鋰電池組、廢電池組和燈源必須從設備上拆下。請與當地相關部門或經銷商聯繫，了解回收建議和收集地點。根據地區規定，零售商有義務免費回收廢電池組、廢電器和廢電子設備。您對重用及回收廢電池組、廢電器及廢電子設備作出貢獻，有助於減少原料需求。廢電池組，特別是含有鋰和含有可回收利用的有價值物質的廢電器、廢電子設備，如果不以與環境兼容的方式廢棄，可能會對環境和人類健康產生不良影響。如果廢電子設備中有任何個人數據，請在棄置前刪除。



类型	电动钉枪
电池电压	12 V ---
循环率	2/sec
校对的角度	0°
紧固件类型	无头蚊钉
直径	0.58 mm (23 Ga)
最小/最大长度	13 mm - 35 mm
钉子匣容量 (钉子钉数)	118-136
根据 EPTA-Procedure 01/2014 所测得的量 (2.0 Ah - 6.0 Ah)	2.1 公斤 - 2.4 公斤
建议操作环境温度	-18 - +50 °C
建议电池类型	M12B..., M12 HB...
建议充电器	C12C..., M12-18...

**A 警告!** 请阅读本电动工具随附的所有安全警告、说明、插图和规格。不遵循这些警告和说明会导致触电、火灾和/或严重伤害。

保存好所有警告和说明书以备查阅。

### 电动钉枪

务必假定产品包含紧固件。不小心操作钉枪可能会导致紧固件意外着火，并且造成人身伤害。

不要将产品指向自己或附近的任何人。意外触发会释放气压导致伤害。

除非将工具牢固地放在工件上，否则不要启动工具。如果工具跟工件未有接触，则紧固件可能偏离目标。

在安装或取出锯片时确保从电源处断开工具。卸下卡住的紧固件时，如果插入电池，钉枪可能会意外地启动。

卸下卡住的紧固件时要格外小心。该机械装置可能处于压缩状态，并且紧固件可能被强制弹出，以及尝试释放卡住的情况。

切勿以钉枪固定电缆。它不是为电缆安装设计的，并可能损坏电缆的绝缘部份，从而导致触电或火灾。

佩戴防护耳罩。暴露在噪声中可能会导致听力受损。

当使用者进行操作时，紧固件可能会接触到隐藏的电线，故此只能握住电动工具的绝缘握持面。切割刀片接触火线可能会导致电动工具裸露的金属部分带电，可能会导致操作人员触电。

务必佩戴带侧罩的护目镜。日常眼镜只有抗冲击眼镜片。它们不是安全眼镜。遵循此规则将降低严重人身伤害的风险。

在装上钉子、操作或维修此工具时，使用者及工作区域中的所有人员务必佩戴护目镜，以防止来自正面和侧面的飞散颗粒。需要佩戴护目镜，以防止飞散的紧固件和碎片，这可能会导致严重的眼睛受伤。

调整驱动轮的深度之前，请务必取出电池。不要向后拉调节轮，轮子设计成可旋转的。

调整驱动轮的深度时，请勿按下触发器。在调整驱动深度之前，请务必选择完全顺序打钉模式。

在调整驱动深度时，不要将工具指向自己或附近的任何人。

### 其他安全和工作说明

请务必注意，滥用和不当使用本产品可能会对您自己及他人造成伤害。

本产品专为单手使用而设计。切勿以钉匣的正面握着本产品。切勿将手、头或身体的其他部位接近钉匣的底部（钉子的出口），否则可能造成严重的人身伤害。

务必确保工件的触点完全置于工作的上方。如果工件接触的部分只是部份定位在工件的上方，可能无法在工件上打钉，并且导致严重的人身伤害。

切勿在物料的边缘打钉。工件可能裂开，导致钉子反弹，并伤害您或

同事。请注意钉子可能跟随木头的纹理，导致从工作物料的侧边意外地突出弯曲，从而可能造成伤害。

保持手和身体部位远离直接工作区域。有需要时以夹具夹住工件，保持双手及身体远离潜在的伤害。将紧固件压在材料前，确保工件已妥当地稳固。接触工件可能导致工作中的物料意外移动。在限制的区域内部工作时，保持脸部及身体局部远离产品盖的后面。突然的反冲力可以对身体造成冲击，尤其是在硬或密度中的材料上打钉时。

在正常使用过程中，产品在驱动紧固件后会立即回弹。这是产品的正常功能。切勿尝试以靠在工件上握着钉枪来防止反弹。限制后坐力，可能导致第二个紧固件在钉枪中被驱动。紧握把手，让产品完成工作；在任何时间，切勿将另一只手放在产品的上方或接近排气口。请注意此警告可能会导致严重的人身伤害。

请勿将紧固件驱动在其他紧固件的顶部或与产品成太陡的角度，否则可能会导致紧固件偏斜，从而造成伤害。

在此类工作区上使用产品之前，请务必检查工作区是否有隐藏的电线、气体管线、水管等。

在接触启动模式下使用产品后，将其切换回完整顺序模式。

钉子的打入深度可以调节到超过气压。建议测试废料工件的深度，以确定应用所需的深度。

本产品只能使用与技术数据表中的描述相符的紧固件。使用不正确的紧固件可能会导致卡住或其他故障。

在需要改变工作位置的情况，如在脚手架、梯子或其他平台上工作时，切勿选择接触模式。如果选择了接触驱动模式，则可能移动时接触工件，意外地触发钉子。在移动位置时，选择完整顺序启动或通过卸下电池组完全停用产品。这将减少伤害自己和他人的可能性。

在开始任何工作之前，请先取出电池。

### 电池组安全说明

用过的电池组不可以丢入火中或一般的家庭垃圾中。美沃奇提供旧电池组回收，以保护我们的环境。

电池组不可以和金属物体存放在一起（可能产生短路）。

M12 系列的电池组只能和 M12 系列的充电器配合使用。不可以使用其他系列的电池组。

不可拆开电池组和充电器。电池组和充电器必须储藏在干燥的空间，勿让湿气渗入。必须经常保持干燥。

在过度超荷或极端的温度下，可能从损坏的电池组中流出液体。如果触摸了此液体，必须马上使用肥皂和大量清水冲洗。如果此类液体侵入眼睛，马上用清水彻底清洗眼睛（冲洗至少10分钟），接着即刻就医治疗。

切勿让金属部分接触充电器的电池组部份（有短路风险）。

### 附加电池组安全警告

**A 警告!** 为了减少因短路而导致火灾、人身伤害和工具损坏的风

险，请勿将工具、电池组或充电器浸没在流体中或使流体流入其中。腐蚀性或导电性流体（如海水、某些工业化学品、以及漂白剂或含漂白剂的产品等）都会导致短路。

#### 特定使用条件

产品的钉匣包含适当钉子条，可以在木条或相类的软物料上钉钉。本操作说明书中的技术规格中描述了可以安全地装入钉匣中的钉子。切勿使用其他类型的钉子或以钉枪固定。

请勿将本工具用于任何其他目的。

#### 残余风险

即使工具按规定使用，依然无法完全消除某些残余风险因素。使用过程中可能出现以下危险，操作者应注意避免：

- 振动引起的损伤
  - 握住工具指定的把手，并限制工作时间和暴露风险。
- 因接触噪声导致听力伤害
  - 限制接触时长并佩戴合适的听力防护设备。
- 因飞溅的碎片而受伤
  - 务必每刻都穿戴适当的个人防护设备，厚的长裤、手套、结实的鞋类和安全眼镜。
- 吸入有毒的粉尘而导致的健康危险
  - 在必要的情况下请佩戴防护口罩。

#### 电池组

长期存放的电池组必须先充电再使用。

超过50 °C的高温会降低电池组的效能。避免暴露于高温或阳光下（可能导致过热）。

充电器和电池组的接触点处应保持清洁。

为获得最长寿命，使用后应把电池组充满电。

为确保最长使用寿命，充电后应把电池组从充电器中取出。

电池组储藏时间大于30天的存放要求：

- 将电池组存放于温度低于27 °C的环境，且避免受潮；
- 将电池组保存在充电量30%-50%的状态；
- 存放中的电池组应每六个月照常充电一次。

#### 锂电池超载保护

因一些诸如极高的扭力、外物附着、突然停机和线路短路发生的情况下，会导致高电流消耗。此等情况下，工具将振动约5秒，电量计灯闪烁，然后工具将停止及关闭。如要重置，松开扳机。

在极端情况下，電池組內部的溫度可能變得太高。如果发生这种情况，电池灯会闪烁直至电池冷却下来，然后您可以继续工作。

#### 锂电池组的运输

锂电池组属于危险货品并受制于危险货品运输条例。

此电池组的运输必须遵守地方、国家和国际法律规定。

用户在公路上运输此电池组不必遵守特殊规定；

锂电池组的商业性运输受制于危险货品运输条例的规定。运输准备和运输必须由受过专业培训的人员进行。全程必须由专业人员监督。

运输电池组时必须注意到下列事项：

- 为避免短路，必须确保电池组接点的防护和绝缘；
- 确保包装中的电池组包不会滑动；
- 严禁运输已损坏或已产生泄漏的电池组。
- 更多运输建议请联系运输公司。

#### 维修

透过定期维护计划，保持工具、电池组和充电器处于良好状态。检查产品是否存在问题，例如过度噪音、未对准或转动部件卡住、破损或任何可能影响产品运行的情况。

过了六个月到一年后，根据使用情况，将工具、电池组和充电器送回美沃奇服务中心进行检查。

如果工具无法在电池组充满电的情况下启动或以全功率运行，请清洁电池组上的接触点。如果工具仍然无法正常运作，请将工具、充电器和电池组退回美沃奇服务中心进行维修。

本产品的通风孔必须时刻保持畅通。

只能使用美沃奇的附件和配件。如果需要更换未描述的组件，请联系我们的美沃奇服务代理（请参阅我们的认可/维修的地址列表）。

如果需要，可以索取工具的分解图。在标签上注明工具类型和序列号，然后在当地服务中心订购图纸。

#### 清洁

清除通风槽中的灰尘和碎屑。保持产品把手清洁、干燥、无油或润滑脂。只能使用温和的肥皂和湿布进行清洁，因为某些清洁剂和溶剂对塑料和其他绝缘部件有害。其中一些包括汽油、松节油、漆稀释剂、油漆稀释剂、氯化清洁溶剂、氨和含氨的家用洗涤剂。切勿在工具的附近使用可燃或易燃溶剂。

#### 维修

将工具、电池组和充电器退回美沃奇服务中心进行维修。

#### 附件

警告！仅使用推荐的配件。使用其他附件可能很危险。

如需完整的配件列表，请浏览 [www.milwaukee tool.asia](http://www.milwaukee tool.asia)。

#### 符号



启动产品前，请仔细阅读本说明书。



注意！警告！危险！



在开始任何工作之前，请先取出电池。



使用本产品时务必佩戴护目镜。



佩戴防护耳罩。



戴上适当的防尘罩。



佩戴手套。



紧固件类型  
直径  
最小/最大长度



保持双手远离。



受压的物件。请勿打开产品。可能会发生严重伤害。返回授权服务中心进行所有维修。

---

$n_0$  无负载转速

---

V 电压

---

 直流电

---



请勿将废电池组、废电器、废电子设备等废弃物作为未分类城市废弃物进行处理。必须分开回收废电池组、废电器及废电子设备。废锂电池组、废电池组和灯源必须从设备上拆下。请与当地相关部门或经销商联系，了解回收建议和收集地点。根据地区规定，零售商有义务免费回收废电池组、废电器和废电子设备。您对重用及回收废电池组、废电器及废电子设备作出贡献，有助于减少原料需求。废电池组，特别是含有锂和含有可回收利用的有价值物质的废电器、废电子设备，如果不以与环境兼容的方式废弃，可能会对环境和人类健康产生不良影响。如果废电子设备中有任何个人数据，请在弃置前删除。

---

유형	무선 네일러
배터리 전압	12 V ---
사이클 속도	2/sec
대조각	0°
패스너 유형	실타카 핀
직경	0.58 mm (23 Ga)
최소/최대 길이	13 mm - 35 mm
매거진 용량(못 수량)	118-136
EPTA 규정 01/2014에 따른 종량(2.0 Ah - 6.0 Ah)	2.1 kg - 2.4 kg
권장 주변 작동 온도	-18 - +50 °C
권장 배터리 팩	M12B..., M12 HB...
권장 충전기	C12C..., M12-18...

**⚠ 경고!** 공구와 함께 제공된 제반 안전 경고, 사용 설명서, 그림 및 사양을 숙지하십시오. 아래의 지침을 따르지 않으면 전기 충격, 화재 및 중대한 부상을 초래할 수 있습니다.

모든 경고 및 지침서는 다음에 참조할 수 있도록 잘 보관해 두십시오.

**무선 네일러 안전 경고**

항상 공구에 네일러 핀이 포함되어 있음을 가정하십시오. 네일러를 부주의하게 취급할 경우 예기치 않게 네일러 핀이 발사되어 인원의 부상을 초래할 수 있습니다.

공구를 자신이나 근처에 있는 사람을 향해 겨누지 마십시오. 예기치 않은 트리거로 인해 네일러 핀이 토출되어 부상을 야기할 수 있습니다.

공구가 작업면에 단단히 고정되어 있지 않을 경우 공구를 작동하지 마십시오. 공구가 작업면과 접촉하지 않으면 네일러 핀이 목표물을 벗어날 수 있습니다.

네일러 핀이 공구에 걸리면 전원 공급원에서 공구를 분리하십시오. 걸린 고정 장치를 제거할 때 네일러가 전원에 연결되어 있으면 우발적으로 작동할 수 있습니다.

걸린 네일러 핀을 분리하는 동안 주의를 기울이십시오. 공구가 가압 상태일 수 있으며, 걸린 조건을 해결하려고 할 때 네일러 핀이 강하게 토출될 수 있습니다.

전기 케이블을 고정할 때 이 네일러를 사용하지 마십시오. 이 공구는 전선 케이블 설치용으로 설계되지 않았으며 전선 케이블의 절연을 손상시켜 감전이나 화재 위험을 야기할 수 있습니다.

귀마개를 착용하십시오. 소음에 노출되면 청력 손상을 입을 수 있습니다.

작업 시 못이 숨겨진 배선에 닿을 수 있는 경우를 고려하여 전동 공구의 절연 손잡이를 잡으십시오. 전기가 흐르는 배선과 접촉하는 네일이 "전기가 흐르는" 제품의 금속 부분에 노출되어 작업자에게 전기 쇼크를 유발할 수 있습니다.

항상 측면 실드가 있는 보안경을 착용하십시오. 매일 착용하는 안경에는 충격 방지 렌즈만 있습니다. 안전한 환경이 아닙니다. 이 규칙을 준수하면 심한 상해의 위험을 줄일 수 있습니다.

눈 보호 장치는 정면과 측면에서 날아오는 입자로부터 보호하며, 이 제품을 적재, 작동 또는 정비할 때는 항상 작업 영역의 작업자도 다른 사람이 눈 보호 장치를 착용해야 합니다. 눈에 심한 부상을 입힐 수 있는 날아가는 패스너와 부스르기를 방지하려면 눈 보호 장치가 필요합니다.

구동 휠 깊이를 조절하기 전에 항상 배터리를 분리하십시오. 조절 휠을 뒤로 당기지 마십시오. 휠은 회전하도록 설계되었습니다.

구동 휠의 깊이를 조절하는 동안 트리거를 누르지 마십시오. 드라이브 깊이를 조절하기 전에 항상 전체 순차 발사 모드를 선택하십시오.

주행 깊이를 조절할 때 공구가 자신이나 주변 사람을 향하지 않게 하십시오.

**추가적인 안전 및 작업 지침**

이 제품을 잘못 사용하거나 부적절하게 취급하면 자신과 다른 사람이 부상을 입을 수 있다는 점을 항상 명심하십시오.

이 제품은 한 손으로 사용하도록 설계되었습니다. 매거진 앞쪽으로 제품을 잡지 마십시오. 네일이 제품을 빠져 나가는 매거진 바닥 근처에 손, 머리 또는 기타 신체 부위를 두지 마십시오. 심각한 신체 부상이 발생할 수 있습니다.

항상 작업물 접촉부가 작업물 위에 완전히 놓였는지 확인하십시오. 작업면 접점을 작업면 위에 부분적으로만 배치하면 네일이 작업편을 완전히 놓칠 수 있으며 이로 인해 심각한 부상이 초래될 수 있습니다.

재료의 가장자리 근처에 못을 박지 마십시오. 작업물이 갈라져 네일이 튀어나와 사용자 또는 동료가 부상을 입을 수 있습니다. 네일이 목재 결을 따라 움직여 작업편 재료의 측면에서 예기치 않게 튀어 나오거나 변형되어 부상을 야기할 수 있습니다.

손과 신체 부위가 작업 공간에 닿지 않도록 하십시오. 손과 신체가 잠재적인 피해를 입지 않도록 필요한 경우 클램프로 작업물을 잡으십시오. 네일러를 재료에 대고 누르기 전에 작업물이 올바르게 고정되어 있는지 확인하십시오. 작업물 접촉으로 인해 작업편 재료가 예기치 않게 이동될 수 있습니다. 제한된 장소에서 작업할 때는 얼굴과 신체 부위를 제품 캡 뒷면에 가까이 두지 마십시오. 갑작스러운 반동으로 몸에 충격을 받을 수 있으며, 특히 단단하거나 조밀한 재료에 못을 박을 때는 더욱 그렇습니다.

정상적으로 사용하는 동안 패스너가 구동되는 즉시 공구가 반동됩니다. 이것은 제품의 정상적인 작동입니다. 네일러를 작업 부위에 대서 반동을 방지하려고 하지 마십시오. 반동을 제한하면 네일러에서 두 번째 패스너가 구동될 수 있습니다. 손잡이를 확실히 잡고 제품이 작동하도록 하되 다른 손을 제품 상단이나 토출구 근처에 두지 마십시오. 이 경고를 무시할 경우 심각한 부상이 초래될 수 있습니다.

네일러 핀을 다른 네일러 핀 위로 또는 너무 가파른 각도로 끼우지 마십시오. 네일러 핀이 휘어져 부상을 야기할 수 있습니다.

작업 구역에서 제품을 사용하기 전에 항상 숨겨진 배선, 가스관, 수도관 등이 있는지 확인하십시오.

점점 작동 모드에서 제품을 사용한 후 전체 순차 모드로 다시 전환하십시오.

네일의 구동 깊이는 기압을 넘어서 조절될 수 있습니다. 스크랩 작업편에서 깊이를 테스트하여 적용에 필요한 깊이를 결정하는 것이 좋습니다.

본 제품에는 기술 데이터의 설명과 일치하는 패스너만 사용할 수 있습니다. 부적절한 패스너를 사용하면 걸림 또는 기타 오작동이 발생할 수 있습니다.

신체 위치를 이동해야 하는 발판, 사다리 또는 플랫폼에서 작업할 때는 접촉 작동 모드를 선택하지 마십시오. 접촉 작동 모드를 선택한 경우 작업을 접촉부가 실수로 작동되어 의도치 않게 못이 발사될 수 있습니다. 위치를 이동할 때 전체 순차 활성화를 선택하거나 배터리 팩을 분리하여 제품을 완전히 비활성화하십시오. 이렇게 하면 자신과 다른 사람이 부상을 입을 가능성이 줄어 듭니다.

제품을 청소하거나 분리하기 전, 배터리 팩을 제거하십시오.

### 배터리 관련 안전 지침

사용한 배터리 팩을 가정용 쓰레기로 폐기하거나 이를 태우지 마십시오. MILWAUKEE 유통업체에서는 소모된 배터리를 수거하여 환경을 보호합니다.

배터리 팩을 금속 물체와 함께 보관하지 마십시오(단락 회로 위험).

M12 시스템 배터리 팩을 충전하려면 M12 시스템 충전기만 사용하십시오. 다른 시스템의 배터리 팩을 사용하지 마십시오.

배터리 팩과 충전기를 개방하지 말고, 건조한 곳에 보관하십시오. 배터리 팩과 충전기는 항상 건조한 상태로 유지하십시오.

극심한 부하 또는 극심한 온도 조건에서 손상된 배터리로부터 배터리 산이 누출될 수 있습니다. 배터리 산과 접촉한 경우, 비누물로 즉시 세척하십시오. 눈과 접촉할 경우, 최소 10분 동안 철저히 세정한 후 즉각적인 의료 조치를 취하십시오.

충전기의 배터리 부위에 어떤 금속 조각도 들어가지서는 안됩니다(합선 위험이 있습니다).

### 추가 배터리 안전 주의 사항

**A** 경고! 단락 회로로 인한 화재, 작업자 부상 및 제품 손상 위험을 줄이려면 제품, 배터리 팩 또는 충전기를 유체에 침수시키거나 유체가 내부로 흘러들어가지 않도록 해야 합니다. 해수, 특정한 산업용 화학 물질 및 표백제 또는 표백제 함유 제품 같은 부식성 또는 전도성 유체 등은 단락 회로를 야기할 수 있습니다.

### 구체적인 사용 조건

본 제품은 적절한 네일 스트립을 포함하는 매거진에서 목재 또는 이와 유사한 부드러운 재료로 네일러 핀을 구동하도록 고안되었습니다. 제품 매거진에 안전하게 넣을 수 있는 네일러 핀은 이 설명서의 제품 사양 표에 설명되어 있습니다. 다른 종류의 제품을 사용하거나 네일러로 고정하지 마십시오.

다른 목적으로 제품을 사용하지 마십시오.

### 진료 위험

제품을 설명서대로 사용하더라도 위험 요소를 완전히 제거하는 것은 여전히 불가능합니다. 제품 사용 중 다음과 같은 위험 요소가 발생할 수 있으며, 작업자는 다음 사항을 회피하기 위해 세심한 주의를 기울여야 합니다.

- 진동으로 인한 부상
  - 지정된 핸들을 이용해 제품을 붙잡아 사용하고 작업 시간과 진동에 대한 노출을 적절히 제한하십시오.
- 소음 노출로 인한 청력 저하 청각 장애.
  - 노출을 제한하고 적절한 청력 보호구를 착용하십시오.
- 튀어 나오는 파편으로 인한 부상
  - 항상 적절한 보호 장구, 두툼하고 긴 바지, 장갑, 튼튼한 신발 및 보안경을 착용하십시오.
- 독성 먼지 흡입으로 인한 건강 위험
  - 필요할 경우 마스크를 착용하십시오.

### 배터리

오랫 동안 사용하지 않은 배터리 팩은 사용하기 전에 충전해야 합니다.

50 °C를 초과하는 온도는 배터리 팩의 성능을 저하시킵니다. 열이나 햇빛에 오래 노출시키지 마십시오(과열 위험).

충전기 접촉 및 배터리 팩을 청결한 상태로 유지해야 합니다.

최적의 수명을 보장하려면 사용한 후에 배터리 팩을 완전히 충전해야 합니다.

배터리 수명을 최대한 연장하려면 완전히 충전된 경우 충전기에서 배터리 팩을 제거하십시오.

30일 이상 배터리 팩을 보관하는 경우:

- 온도가 27 °C 이하이며 습기가 없는 장소에 배터리 팩을 보관하십시오.
- 배터리 팩을 30% - 50% 충전된 조건으로 보관하십시오.
- 보관하지 6개월이 경과할 때마다 배터리를 정상적으로 충전하십시오.

### 배터리 팩 보호

매우 높은 토크에서, 고전류 작업을 통해 야기하는 결속, 실속 및 단락 회로 상황이 발생하고, 공구가 약 5초 동안 진동하며 연료 게이지가 광박인 다음, 공구가 꺼집니다. 재설정하려면 트리거를 해제하십시오.

극심한 환경 조건에서, 배터리 팩의 내부 온도가 급격히 상승할 수 있습니다. 이 경우 배터리 팩이 식을 때까지 연료 게이지가 광박이며, 그 이후에 작업을 계속할 수 있습니다.

### 리튬 배터리의 운송

리튬 이온 배터리는 위험물 범용 요건의 적용을 받습니다.

이 배터리는 현지, 국내 및 국제 규정과 법규에 따라 운송해야 합니다.

배터리는 추가 요구 사항 없이 도로를 통해 운송할 수 있습니다.

타사 리튬 이온 배터리의 상업적 운송은 위험물 규정에 따릅니다. 운송 준비 및 운송 작업은 적절히 교육을 이수한 개인만 수행해야 하고 그 과정에 해당 전문가가 동행해야 합니다.

배터리 운송 시:

- 배터리 접촉면을 보호 및 차단하여 합선 위험을 방지하십시오.
- 배터리 팩이 포장 내에서 움직이지 않도록 고정하십시오.
- 균열 또는 누출이 있는 배터리는 운송하지 마십시오.
- 추가 지침은 운송 회사에 확인하십시오.

### 유지 관리

정기 유지 보수 프로그램을 선택하여 제품, 배터리 팩 및 충전기를 양호한 상태로 유지하십시오. 과도한 소음, 정렬 불량, 움직이는 구성품의 걸림, 부품 파손, 또는 기타 제품의 작동에 영향을 줄 수 있는 상태 등의 문제가 있는지 제품을 검사하십시오.

사용 환경에 따라 6개월에서 1년 후에 제품, 배터리 팩 및 충전기를 MILWAUKEE 서비스 센터에 보내 점검을 받으십시오.

배터리 팩이 완전히 충전된 상태에서 공구가 최대 전력에서 시동 또는 작동하지 않을 경우, 배터리 팩 접점을 청소하십시오. 그래도 제품이 제대로 작동하지 않는 경우 제품, 충전기 및 배터리 팩을 MILWAUKEE 서비스 센터에 보내 수리를 받으십시오.

제품의 환기 슬롯을 항상 비워 두어야 합니다.

MILWAUKEE 액세서리와 MILWAUKEE 부속품만 사용하십시오. 언급하지 않은 구성 부품을 교체해야 하는 경우 MILWAUKEE 서비스 센터 중 한 곳에 문의하십시오(보증 또는 서비스 주소 목록 참조).

필요할 경우, 제품의 확대 이미지를 주문할 수 있습니다. 라벨에 제공되어 있는 제품 유형과 일련 번호를 알려주고 현지 서비스 대리점에서 도면을 주문하십시오.

### 청소

환기구 슬롯의 먼지와 이물질을 청소합니다. 손잡이를 깨끗하고 건조하게 유지하고 오일이나 그리스가 없어야 합니다. 특정 세제 및 용제는 플라스틱 및 기타 절연 부품에 유해할 수 있으므로 연성 비누와 젖은 헝겊만 사용하여 제품을 청소하십시오. 이러한 세제의 일부 예로는 가솔린, 테레빈유, 래커 희석제, 페인트 희석제, 염소 처리 청소 용제, 암모니아 및 암모니아가 함유된 가정용 세제를 들

수 있습니다. 공구 주위에서 인화성 또는 연소성 용제를 사용하지 마십시오.

수리

수리를 위해 MILWAUKEE 서비스 센터로 제품, 배터리 팩 및 충전기를 반환합니다.

**액세서리**

경고! 권장된 액세서리만 사용하십시오. 다른 액세서리는 위험할 수 있습니다.

전체 부속품의 목록을 보려면 온라인 [www.milwaukeetool.asia](http://www.milwaukeetool.asia)를 방문하십시오.

**기호**



제품을 사용하기 전에 지침을 주의하여 읽으십시오.



주의! 경고! 위험!



제품을 청소하거나 분리하기 전, 배터리 팩을 제거하십시오.



제품을 사용할 때 항상 보안경을 착용하십시오.



귀마개를 착용하십시오.



적합한 분진 보호 마스크를 착용하십시오.



장갑을 착용하십시오!



패스너 유형  
직경  
최소/최대 길이



손을 가까이 두지 마십시오.



가압된 내용물이 포함되어 있습니다. 제품을 개방하지 마십시오. 심각한 부상을 입을 수 있습니다. 모든 수리 서비스를 위해 제품을 공인 서비스 센터에 반품하십시오.

**n<sub>0</sub>** 무부하 속도

**V** 전압



직류



폐 배터리, 폐 전기 및 전자 장비를 분류되지 않은 가정용 폐기물로 처리하지 마십시오. 폐 배터리와 폐 전기 및 전자 장비는 별도로 수거해야 합니다. 폐 배터리, 폐기물 어큐뮬레이터 및 광원은 장비에서 제거해야 합니다. 재활용 조연 및 수거 지점은 해당 지자체나 소매점에 문의하십시오. 현지 규정에 따라 소매업체는 폐 배터리와 폐 전기 및 전자 장비를 무상으로 회수할 의무가 있을 수 있습니다. 폐 배터리와 폐 전기 및 전자 장비를 재사용하고 재활용하면 원자재 수요를 줄이는 데 도움이 됩니다. 특히 리튬이 포함된 폐 배터리와 폐 전기 및 전자 장비에는 가치 있고 재활용 가능한 재료가 포함되어 있어 환경 친화적인 방식으로 폐기하지 않으면 환경과 인간의 건강에 악영향을 끼칠 수 있습니다. 해당하는 경우, 폐 장비에서 개인 데이터를 삭제합니다.

ประเภทผลิตภัณฑ์	เครื่องยิงตะปูไร้สาย
แรงดันไฟแบตเตอรี่	12 V ---
อัตราการการยิง	2/sec
มุมเทียบ	0°
ประเภทตัวยึด	ตะปูพินไร้หัว
เส้นผ่านศูนย์กลาง	0.58 mm (23 Ga)
ความยาวต่ำสุด/สูงสุด	13 mm – 35 mm
ความจุของแม็กกาซีน (จำนวนตะปู)	118-136
น้ำหนักตามขั้นตอนของ EPTA 01/2014 (2.0 - 6.0 Ah)	2.1 kg - 2.4 kg
อุณหภูมิในการทำงานที่แนะนำ	-18 – +50 °C
แบตเตอรี่แนะนำ	M12B..., M12 HB...
แท่นชาร์จที่แนะนำ	C12C..., M12-18...

**⚠ คำเตือน! อ่านวิธีใช้ ภาพประกอบ ข้อมูลจำเพาะ และคำเตือนด้านความปลอดภัยทั้งหมดนี้ ให้ร่วมกับผลิตภัณฑ์** การไม่ปฏิบัติตามคำแนะนำที่ความปลอดภัยต่าง อาจทำให้เกิดไฟฟ้าช็อต ไฟลิ่งใหม่ และ/หรือการบาดเจ็บรุนแรงได้ **โปรดรักษาระยะห่างและคำแนะนำทั้งหมดไว้ให้อ้างอิงในอนาคต**

#### คำเตือนด้านความปลอดภัยของเครื่องยิงตะปูแบบไร้สาย

**ให้คิดเหมือนกับว่าเครื่องมือมีตัวยึดอยู่เสมอ** การใช้เครื่องยิงตะปูไร้สายอย่างไม่ระมัดระวังอาจส่งผลให้เกิดการยิงตะปูผิดโดยไม่ได้ตั้งใจและการบาดเจ็บส่วนบุคคลได้

**ห้ามหันเครื่องมือเข้าหาตัวหรือคนอื่นที่อยู่ใกล้เคียง** การสัมผัสโดยไม่ได้ตั้งใจจะเป็นอันตรายต่ออุปกรณ์ที่ปล่อยพลังงาน

**ห้ามเปิดให้เครื่องมือทำงาน ยกเว้นในกรณีที่ทางทาบเครื่องมือกับชิ้นงานอย่างมั่นคงแล้ว** หากเครื่องมือไม่ได้สัมผัสกับชิ้นงานอยู่ ตัวยึดอาจกระดอนออกจากเป้าหมายของคุณ

**ถอดอุปกรณ์ออกจากแหล่งจ่ายไฟเมื่อตัวยึดติดอยู่ในเครื่องมือ** ในขณะที่ถอดตะปูที่ติดอยู่ในเครื่อง ปืนยิงตะปูอาจทำงานโดยไม่คาดคิดได้หากไม่ถอดแบตเตอรี่ออกก่อน

**ใช้ความระมัดระวังในการถอดตัวยึดที่ติดอยู่** กลี้อาจอาจยกยัดได้แรงอัด และอาจมีการยิงตัวยึดออกมาอย่างรุนแรงในกรณีที่พยายามจะแก้ไขปัญหาดังกล่าว

**อย่าใช้ปืนยิงตะปูในการติดตั้งสายไฟ** เครื่องมือไม่ได้ระออกแบบมาสำหรับการติดตั้งสายไฟ และอาจสร้างความเสียหายกับฉนวนของสายไฟ ซึ่งจะส่งผลให้เกิดไฟฟ้าช็อตหรือไฟลิ่งใหม่ได้

**สวมอุปกรณ์ป้องกันเสียง** เสียงดังเกินไปอาจทำให้สูญเสียความสามารถในการได้ยิน

**ในการทำงาน ให้จับถือปืนยิงตะปูตรงบริเวณพื้นผิวจุดยึดเกาะที่เป็นฉนวนเท่านั้น** เนื่องจากตะปูอาจสัมผัสกับสายไฟที่ซ่อนอยู่ ตะปูที่สัมผัสกับสายไฟที่ "มีกระแสไฟฟ้า" อาจทำให้ชิ้นส่วนของผลิตภัณฑ์ "มีกระแสไฟฟ้า" และอาจทำให้ผู้ปฏิบัติงานถูกไฟฟ้าช็อตได้

**ให้สวมอุปกรณ์ป้องกันดวงตาชนิดที่มีกรอบป้องกันด้านข้างเสมอ** แฉกตาทำให้มีเลนส์ด้านหน้ากระแทกอย่างเฉียบพลัน ซึ่งไม่ใช่เป็นอันตราย การปฏิบัติตามกฎนี้ จะช่วยลดความเสี่ยงจากการบาดเจ็บรุนแรงของคุณ

**อุปกรณ์ป้องกันดวงตาจะให้การป้องกันต่อวัสดุที่กระเด็นที่มาจากด้านหน้าและด้านข้าง และผู้ใช้งานรวมถึงบุคคลที่อยู่ในพื้นที่ทำงานจะต้องสวมไว้เสมอในขณะไหลด** ใช้งาน หรือซ่อมบำรุงผลิตภัณฑ์นี้ จะต้องสวมอุปกรณ์ป้องกันดวงตาเพื่อป้องกันตัวยึดหรือเศษวัสดุที่อาจกระเด็นมาเข้าดวงตาทำให้เกิดการบาดเจ็บรุนแรงได้

ให้ถอดแบตเตอรี่ออกก่อนปรับความลึกของล้อขับเคลื่อน อย่าตั้งล้อปรับกองหลัง ล้อปรับได้รับการออกแบบเพื่อให้หมุนเท่านั้น

ห้ามกดเปิดทำงานในขณะที่ปรับความลึกของล้อยิง ให้เลือกโหมดการยิงแบบต่อเนื่องเมื่อปรับความลึกการยิงเสมอ

อย่าใช้เครื่องมือเข้าหาตัวคุณเองหรือบุคคลที่อยู่ใกล้เคียงในขณะที่ปรับความลึกการยิง

#### คำแนะนำเพิ่มเติมเรื่องความปลอดภัยและการใช้งาน

ให้ระมัดระวังว่าการใช้งานที่ไม่ถูกต้องตามวัตถุประสงค์การออกแบบและการจัดการผลิตภัณฑ์อาจก่อให้เกิดอันตรายให้ตัวคุณเองและบุคคลอื่นได้รับบาดเจ็บ

ผลิตภัณฑ์นี้ออกแบบมาให้ใช้กับมือเดียวได้อย่างดีคือผลิตภัณฑ์ที่ด้านหน้าของตัวปืน ย่อ ย้ายมือ สรีระ หรือส่วนอื่นๆ ของร่างกายไปใกล้กับด้านข้างของตัวปืน ซึ่งตะปูอาจออกมาจากผลิตภัณฑ์ และอาจทำให้บุคคลได้รับบาดเจ็บรุนแรงได้

ให้แน่ใจว่าหน้าสัมผัสชิ้นงานอยู่ในตำแหน่งที่เหมือนชิ้นงานอย่างเหมาะสมเสมอ การวางตำแหน่งหน้าสัมผัสชิ้นงานเหนือชิ้นงานเพียงบางส่วนอาจทำให้ตะปูจะยึดไม่ตรงเป้าหมาย ชิ้นงานอย่างแน่นหนา และอาจทำให้บุคคลได้รับบาดเจ็บได้

ห้ามยิงตะปูใกล้กับขอบวัสดุ ชิ้นงานอาจแยกออกจากกัน ซึ่งทำให้ตะปูติดกลับ ทำให้เพื่อนร่วมงานของคุณได้รับบาดเจ็บได้ พึงระวังว่าตะปูอาจลงไปตามแนวกรงของไม้ ทำให้ยื่นออกจากด้านข้างของวัสดุชิ้นงานหรือบนอกโดยไม่คาดหมาย ซึ่งอาจทำให้บุคคลได้รับบาดเจ็บได้

รักษาให้มือและส่วนของร่างกายห่างจากพื้นที่ทำงานยึดวัสดุ ใช้หัวหนีบจับยึดชิ้นงานไว้ หากจำเป็น เพื่อไม่ให้มือและร่างกายของผู้ใช้ได้รับอันตรายที่เป็นไปได้ ตรวจสอบให้แน่ใจว่าชิ้นงานถูกยึดอย่างมั่นคงอย่างเหมาะสมก่อนที่จะกดตัวยึดลงบนวัสดุ หน้าสัมผัสชิ้นงานอาจทำให้วัสดุทำงานเคลื่อนตำแหน่งโดยไม่ได้ตั้งใจ แต่ให้ใบหน้าและส่วนของร่างกายของคุณห่างจากด้านหลังของฝาครอบผลิตภัณฑ์ในขณะที่ทำงานในพื้นที่จำกัด การติดกลับอย่างฉับพลันของปืนยิงตะปูอาจทำให้ร่างกายได้รับแรงกระแทกได้ โดยเฉพาะเมื่อยิงตะปูลงในวัสดุที่แข็งหรือหนา

ในระหว่างการใช้งานตามปกติ เครื่องมือจะสะท้อนกลับในพื้นที่หลังจากยิงตัวยึด นี้เป็นฟังก์ชันการทำงานปกติของผลิตภัณฑ์ อย่าพยายามฝืนการติดกลับของปืนยิงตะปูด้วยการกดปืนยิงตะปูไว้กับชิ้นงาน การสะท้อนกลับอาจไม่เกิดขึ้น ในกรณีที่มีการยิงตัวยึดตัวที่สองจากเครื่องยิงตะปู ถือที่จับใหม่ เปลี่ยนปืนยิงเครื่องมือทำงาน และห้ามวางมืออีกข้างที่ด้านบนของเครื่องมือหรือใกล้กับจุดปลดกำลัง การไม่ปฏิบัติตามคำเตือนนี้อาจทำให้ได้รับบาดเจ็บสาหัส

อย่ายิงตะปูลงไปด้านบนของตัวยึดอื่น หรือกับผลิตภัณฑ์ที่มียึดติดด้านบนสูงขึ้นไป เนื่องจากอาจทำให้ตะปูสะท้อนกลับ และทำให้บุคคลได้รับบาดเจ็บได้

ตรวจสอบพื้นที่ทำงานว่ามีสายไฟที่ซ่อนไว้ ท่อแก๊ส ท่อน้ำ ฯลฯ ก่อนมีใช้งาน ผลิตภัณฑ์ในพื้นที่เหล่านี้เสมอ

หลังจากใช้งานผลิตภัณฑ์ในโหมดกระตุ้นหน้าสัมผัส ให้สลับกลับไปโหมดหยุดนิ่งเมื่อระบบเสมอ

สามารถปรับตั้งความลึกของการยิงมากกว่าแรงดันลมได้ ขอแนะนำให้ทดสอบความลึกกับชิ้นงานที่ไม่ใช่แล้ว เพื่อกำหนดหาความลึกที่ต้องการสำหรับการใช้งาน

ให้ใช้เฉพาะตัวยึดกับผลิตภัณฑ์ที่ตรงตามระบุไว้ในข้อมูลทางเทคนิคเท่านั้น การใช้ตัวยึดที่ไม่ถูกต้องอาจทำให้เกิดการติดขัดหรือการทำงานผิดปกติอื่นๆ ของผลิตภัณฑ์

อย่าเลือกโหมดกระตุ้นหน้าสัมผัสเมื่อทำงานบนไม้ระแนง บันได หรือบนชิ้นที่คุณอาจต้องเคลื่อนให้หลุดจากของร่างกาย คุณอาจยิงตะปูโดยไม่ได้ตั้งใจได้เมื่อทำให้ปืนยิงตะปูไปสัมผัสกับชิ้นงานโดยไม่ได้ตั้งใจจะเคลื่อนย้ายตำแหน่งการทำงานหากเกิดการยิงของเครื่องมือมีการสัมผัสเลือกไว้ก่อน เมื่อเคลื่อนย้ายตำแหน่ง ให้เลือกโหมดการเปิดใช้งานแบบต่อเนื่องเดิมระบบ หรือปิดใช้งานผลิตภัณฑ์โดยการถอด

แบตเตอรี่ออก การดำเนินการนี้จะลดความเป็นไปได้ของการได้รับบาดเจ็บของตัวคุณเองและผู้อื่น

ถอดแบตเตอรี่ออกก่อนเริ่มการบำรุงรักษา

### คำแนะนำเกี่ยวกับความปลอดภัยสำหรับแบตเตอรี่

อย่าทิ้งแบตเตอรี่ที่เลิกใช้แล้วร่วมกับขยะในครัวเรือนหรือทิ้งลงในกองไฟ ผู้แทนจำหน่ายของ MILWAUKEE มีข้อเสนอในการจัดการแบตเตอรี่เก่าเพื่อปกป้องสภาพแวดล้อมของเรา

ห้ามเก็บเพื่อแบตเตอรี่ร่วมกับวัตถุที่เป็นโลหะ (เสี่ยงต่อการลัดวงจร)

ชาร์จชุดแบตเตอรี่ System M12 ด้วยตัวชาร์จสำหรับ System M12 เท่านั้น อย่าใช้แบตเตอรี่จากระบบอื่น ๆ

ห้ามเปิดหลายแบตเตอรี่และเครื่องชาร์จและเก็บไว้ในห้องที่แห้งเท่านั้น เก็บก้อนแบตเตอรี่และอุปกรณ์ชาร์จในที่แห้งตลอดเวลา

กรดแบตเตอรี่อาจรั่วซึมจากแบตเตอรี่ที่เสียหายภายใต้อุณหภูมิสูงหรือการชาร์จงานที่หนักมากเกินไป หากสัมผัสกับกรดแบตเตอรี่ ให้ล้างออกทันทีด้วยน้ำสะอาด หากกรดแบตเตอรี่เข้าตา ล้างตาให้ทั่วด้วยน้ำอย่างน้อย 10 นาทีและไปพบแพทย์ทันที ห้ามไม่ให้มีชิ้นส่วนที่เป็นโลหะในสวนแบตเตอรี่ของตัวชาร์จ (เสี่ยงลัดวงจร)

### คำเตือนเพิ่มเติมเกี่ยวกับความปลอดภัยของแบตเตอรี่

**คำเตือน!** วัสดุความเสี่ยงในการเกิดไฟไหม้ การบาดเจ็บส่วนบุคคล และความปลอดภัยต่อผลิตภัณฑ์ จากการลัดวงจร อย่างจุ่มเครื่องมือ แบตเตอรี่ หรือเครื่องชาร์จไฟลงในของเหลวหรือปล่อยให้อ่างเชื่อมเข้าสู่ภายใน ของเหลวที่มีฤทธิ์กัดกร่อน หรือนำไฟฟ้าอาจก่อให้เกิดการลัดวงจรได้ เช่น น้ำทะเล สารเคมีหรืออุตสาหกรรมบางชนิด และผลิตภัณฑ์ที่ฟอกสีหรือมีสารผสมการฟอกสี เป็นต้น

### สิ่งไม่เฉพาะในกาใช้ใช้งาน

ผลิตภัณฑ์ที่ได้รับการออกแบบให้ยิงตะปูลงในวัสดุไม้ หรือวัสดุอ่อนที่คล้ายกันจากดิสก์ตะปูที่มีชุดตะปูที่เหมาะสมบรรจุไว้ คุณสามารถดูรายการการตะปูที่สามารถโหลดเข้าในตะปบบรรจอยังถูกดัดงาสำหรับผลิตภัณฑ์นี้ได้ ในตารางข้อมูลจำเพาะของผลิตภัณฑ์ในคู่มือนี้ ห้ามใช้งานตะปูหรือตัวยึดประเภทอื่นๆ กับผลิตภัณฑ์เหล่านี้ ห้ามใช้ผลิตภัณฑ์เพื่อวัตถุประสงค์อื่นนอกเหนือจากที่ระบุ

### ความเสี่ยงที่เหลือน้อย

ถึงแม้เครื่องมือจะได้รับการใช้ตามที่กำหนด แต่ก็ไม่สามารถกำจัดปัจจัยความเสี่ยงที่หลงเหลืออยู่ได้ อาจเกิดภัยอันตรายต่อไปแม้ระงับการใช้งานได้ และผู้ใช้งานควรระมัดระวังเป็นพิเศษเพื่อหลีกเลี่ยงภัยอันตรายต่อไปนี้:

- การบาดเจ็บที่เกิดจากแรงสั่นสะเทือน
- จับบริเวณที่จับและของผลิตภัณฑ์และอย่าใช้งานติดต่อกันเป็นเวลานาน
- ระบบการได้ยินอาจได้รับความเสียหาย หากได้ยินเสียงดัง
  - จำกัดระยะเวลาการได้ยินและสวมอุปกรณ์ป้องกันการได้ยิน
- การบาดเจ็บเนื่องจากเศษวัสดุที่กระเด็น
- สวมอุปกรณ์ป้องกันส่วนบุคคลที่เหมาะสม กางเกงขากว้าง ถุงมือ รองเท้าหนา และแว่นกันแดด
- อันตรายต่อสุขภาพที่อาจสูญหายอาจมาผ่านพิษเข้าไป
  - สวมหมวกกันน้ำเข้าเป็น

### แบตเตอรี่

ควรชาร์จแบตเตอรี่ที่ไม่ได้ใช้งานเป็นระยะเวลาหนึ่งก่อนที่จะใช้งาน ประสิทธิภาพของชุดแบตเตอรี่จะลดลงหากอุณหภูมิสูงกว่า 50 °C หลีกเลี่ยงไม่ให้ถูกแสงแดดหรือความร้อนเป็นเวลานาน (เสี่ยงต่อความร้อนเกิน)

ต้องหมั่นดูแลความสะอาดหน้าสัมผัสตัวชาร์จกับชุดแบตเตอรี่

เพื่อยืดอายุการใช้งาน ควรชาร์จแบตเตอรี่ให้เต็มหลังการใช้งาน

เพื่อรักษาอายุแบตเตอรี่ให้มากที่สุด ให้ถอดชุดแบตเตอรี่ออกจากตัวชาร์จเมื่อชาร์จไฟเต็ม

สำหรับชุดแบตเตอรี่ที่ต้องการเก็บไว้นานกว่า 30 วัน:

- เก็บชุดแบตเตอรี่ไว้ที่อุณหภูมิต่ำกว่า 27 °C และหลีกเลี่ยงความชื้น
- เก็บชุดแบตเตอรี่ไว้ที่ประจุ 30% - 50%
- ให้ชาร์จชุดแบตเตอรี่ตามปกติทุกหกเดือนที่เก็บ

### การป้องกันชุดแบตเตอรี่

ในสถานการณ์ที่เกิดแรงบิดสูง ดัดซัด สะดุด และเกิดการสั่นไหวเนื่องจากมีกระแสน้ำวนกลับสูง เครื่องมือจะสั่นเป็นเวลา 5 วินาที และเกิดแบตเตอรี่จะกระพริบ แล้วเครื่องมือจะดับลง การรีเซ็ต ให้ปิดและเปิดเครื่องใหม่

ภายใต้สถานการณ์รุนแรง อุณหภูมิภายในของแบตเตอรี่อาจสูงเกินขีดจำกัด หากเกิดเหตุการณ์นี้ ไฟแสดงระดับแบตเตอรี่จะกระพริบจนกว่าแบตเตอรี่จะเย็นลง จากนั้นคุณจะสามารถทำงานต่อได้

### การเคลื่อนย้ายแบตเตอรี่ลิเทียม

แบตเตอรี่ลิเทียมไอออนอยู่ภายใต้ข้อกำหนดตามกฎหมายของสินค้าอันตราย การขนส่งแบตเตอรี่เหล่านี้ต้องกระทำตามกฎระเบียบและข้อบังคับของท้องถิ่น ของประเทศ และระหว่างประเทศ

สามารถขนส่งแบตเตอรี่ทางถนนได้โดยไม่ต้องมีข้อกำหนดเพิ่มเติม

การขนส่งแบตเตอรี่ลิเทียมโดยผู้ให้บริการภายนอกจะต้องจัดการตามกฎระเบียบสินค้าอันตราย การเตรียมการขนส่งและการขนส่งต้องดำเนินการโดยบุคลากรที่ผ่านการฝึกอบรมแล้วเท่านั้น และในระหว่างดำเนินการต้องมีผู้เชี่ยวชาญที่เกี่ยวข้องคอยกำกับดูแล

เมื่อขนย้ายแบตเตอรี่:

- โปรดตรวจดูให้แน่ใจว่าขั้วสัมผัสของแบตเตอรี่ได้รับการปกป้องและติดตั้งแน่นเพื่อป้องกันการลัดวงจร
- ตรวจสอบให้แน่ใจว่าก่อนแบตเตอรี่ได้รับการปกป้องอย่างแน่นหนาอยู่ในบรรจุภัณฑ์
- ห้ามเคลื่อนย้ายแบตเตอรี่ที่แตกหรือรั่ว
- โปรดสอบถามบริษัทขนส่งหากหาข้อต้องการคำแนะนำเพิ่มเติม

### การบำรุงรักษา

รักษาผลิตภัณฑ์ ชุดแบตเตอรี่ และเครื่องชาร์จให้อยู่ในสภาพที่สะอาดใช้โปรแกรมการบำรุงรักษาตามปกติ ตรวจสอบผลิตภัณฑ์เพื่อหาปัญหา เช่น เสียงดังเกินควร ความคลาดเคลื่อน หรือการติดขัดของชิ้นส่วนที่เคลื่อนไหว การแตกหักของชิ้นส่วนหรือสภาวะอื่นๆ ที่อาจส่งผลกระทบต่อการทำงานของผลิตภัณฑ์

หลังจากใช้งานหากเดือนหนึ่งปี พึงขึ้นอยู่กับสภาพการใช้งาน ให้ส่งคืนผลิตภัณฑ์ ชุดแบตเตอรี่ และเครื่องชาร์จ ไปยังศูนย์บริการ MILWAUKEE เพื่อตรวจสอบ

หากเครื่องมือไม่เริ่มทำงาน หรือทำงานเต็มประสิทธิภาพด้วยชุดแบตเตอรี่ที่ชาร์จเต็ม ให้ทำความสะอาดส่วนสัมผัสบนชุดแบตเตอรี่ หากผลิตภัณฑ์ยังทำงานไม่ปกติ ให้ส่งผลิตภัณฑ์ เครื่องชาร์จ และชุดแบตเตอรี่กลับไปยังศูนย์บริการ MILWAUKEE เพื่อรับซ่อมแซม

รักษาความสะอาดช่องระบายอากาศของผลิตภัณฑ์ให้ปราศจากสิ่งสกปรกอยู่ตลอดเวลา

ใช้เฉพาะอุปกรณ์เสริม MILWAUKEE และอะไหล่ของ MILWAUKEE เท่านั้น หากจำเป็นต้องเปลี่ยนส่วนประกอบที่ไม่ได้อิซบายไว้ ให้ติดต่อศูนย์บริการของ MILWAUKEE (ดูที่รายการการรับประกัน/ที่อยู่ของศูนย์บริการของเรา)

สามารถส่งภาพขยายของผลิตภัณฑ์ได้ หากต้องการ โปรดระบุประเภทผลิตภัณฑ์ที่พิมพ์รวมถึงหมายเลขซีเรียลบนฉลาก และส่งชื่อแบบพิมพ์เขียวที่ตัวแบบบริการภายในท้องถิ่นของคุณ

### การทำความสะอาด

ทำความสะอาดฝุ่นและเศษวัสดุจากช่องระบาย รักษาความสะอาดของตัวจับเครื่องมือให้สะอาด และทำความสะอาดความชื้นหรือจาระบี ใช้เฉพาะสบู่อ่อนและผ้าขนหนู ในการทำความสะอาดผลิตภัณฑ์เท่านั้น เนื่องจากตัวหาละลายและสารทำความสะอาดบางอย่างเป็นอันตรายกับพลาสติกและชิ้นส่วนแบบมีฉนวนอื่นๆ บางส่วนเหล่านี้ประกอบไปด้วยน้ำมันเชื้อเพลิง น้ำมันสน ทินเนอร์สำหรับแล็กเกอร์ ทินเนอร์ผสมสี คลอรีน ตัวทำละลายสารทำความสะอาด แอมโมเนีย และสารซักฟอกสำหรับใช้ภายในบ้านที่มีแอมโมเนีย ห้ามใช้สารตัวทำละลายที่ไวไฟหรือสารที่ระเบิดได้บริเวณรอบๆ เครื่องมือ

### ซ่อมแซม

ส่งผลิตภัณฑ์ ชุดแบตเตอรี่ และเครื่องชาร์จกลับมาที่ศูนย์บริการ MILWAUKEE เพื่อซ่อมแซม



## อุปกรณ์เสริม

คำเตือน! ใช้เฉพาะอุปกรณ์เสริมที่แนะนำเท่านั้น การใช้อุปกรณ์เสริมอื่นๆ อาจทำให้เกิดอันตรายได้

สามารถดูรายการอุปกรณ์เสริมทั้งหมดได้ที่ [www.milwaukeeetool.asia](http://www.milwaukeeetool.asia)

## สัญลักษณ์



อ่านคำแนะนำการใช้งานอย่างละเอียดก่อนใช้ผลิตภัณฑ์



ข้อควรระวัง! คำเตือน! อันตราย!



ถอดแบตเตอรี่ออกก่อนเริ่มการบำรุงรักษา



สวมแว่นตานิรภัยทุกครั้งที่ใช้ผลิตภัณฑ์นี้



สวมอุปกรณ์ป้องกันเสียง



ให้สวมหน้ากากป้องกันฝุ่นที่เหมาะสม



สวมถุงมือ



ประเภทตัวยึด  
เส้นผ่านศูนย์กลาง  
ความยาวต่ำสุด/สูงสุด



ระมัดระวังมือ



ส่วนประกอบภายในเครื่องมือมีแรงดัน อย่าเปิดฝาครอบตัวผลิตภัณฑ์ อาจเกิดการบาดเจ็บร้ายแรงได้ ส่งไปที่ศูนย์บริการที่ได้รับอนุญาต สำหรับการซ่อมแซมทั้งหมด

$n_0$

ความเร็วเมื่อไม่มีโหลด

V

แรงดันไฟฟ้า



กระแสตรง



อย่าทิ้งแบตเตอรี่ใช้แล้ว ชยะอุปกรณ์ไฟฟ้าและอิเล็กทรอนิกส์รวมกับขยะในครัวเรือนโดยไม่ได้แยกประเภท ให้ทิ้งแบตเตอรี่ใช้แล้ว ชยะอุปกรณ์ไฟฟ้าและอิเล็กทรอนิกส์แยกต่างหาก หลังยกเลิกใช้งานอุปกรณ์ จะต้องถอดแยกแบตเตอรี่ใช้แล้ว ตัวสะสมพลังงานที่ใช้แล้ว และแหล่งกำเนิดแสงที่ใช้แล้วออกจากตัวเครื่อง ตรวจสอบกับหน่วยงานควบคุมในท้องถิ่นของคุณหรือร้านค้าปลีกสำหรับคำแนะนำในการรีไซเคิลและจุดทิ้งขยะประเภทนี้ ภายใต้กฎระเบียบในท้องถิ่น ร้านค้าอาจมีข้อผูกมัดในการรวบรวมขยะแบตเตอรี่ใช้แล้วและขยะอุปกรณ์ไฟฟ้าและอิเล็กทรอนิกส์กลับมาโดยไม่คิดค่าบริการเพิ่มเติมน การนำมาใช้ใหม่และการรีไซเคิลของแบตเตอรี่ใช้แล้ว ชยะอุปกรณ์ไฟฟ้าและอิเล็กทรอนิกส์จะขจัดลดการใช้วัสดุต้นใหม่ซึ่งช่วยอนุรักษ์ทรัพยากรได้ แบตเตอรี่ใช้แล้วโดยเฉพาะที่มีสารลิเทียม และขยะอุปกรณ์ไฟฟ้าและอิเล็กทรอนิกส์จะมีวัสดุรีไซเคิลได้ที่มีค่า ซึ่งสามารถลดผลกระทบต่อสิ่งแวดล้อมและสุขภาพของคน ควรกำจัดทิ้งในลักษณะที่เป็นมิตรกับสิ่งแวดล้อม หากมีข้อมูลบุคคลบนอุปกรณ์ ควรลบออกทันทีที่เลิกใช้งาน

**DATA TEKNIS****M12 PN23GS**

Tipe	Palu (nailer) nirkabel
Tegangan baterai	12 V ---
Laju putaran	2/sec
Sudut kolasi	0°
Tipe pengencang (fastener)	Paku pin tanpa kepala
Diameter	0,58 mm (23 Ga)
Panjang min/maks	13 mm – 35 mm
Kapasitas magasin (jumlah paku)	118-136
Bobot sesuai dengan prosedur EPTA 01/2014 (2,0 Ah - 6,0 Ah)	2,1 kg - 2,4 kg
Suhu pengoperasian sekitar yang direkomendasikan	-18 – +50 °C
Paket baterai yang direkomendasikan	M12B..., M12 HB...
Pengisi daya yang direkomendasikan	C12C..., M12-18...

**⚠ PERINGATAN!** Baca semua peringatan keselamatan, petunjuk, ilustrasi, dan spesifikasi yang disertakan bersama produk. Tidak dipatuhinya semua petunjuk di bawah ini, dapat berakibat sengatan listrik, kebakaran, dan/atau cedera parah.

**Simpan semua peringatan dan instruksi untuk referensi di masa mendatang.**

**PERINGATAN KESELAMATAN PEMAKU (NAILER) NIRKABEL**

**Selalu berasumsi bahwa alat ini berisi pengikat.** Penanganan nailer yang ceroboh dapat mengakibatkan tembakan pengencang yang tidak diinginkan dan menyebabkan cedera.

**Jangan mengarahkan alat ke arah Anda atau orang sekitar.** Pemicuan yang tak terduga akan melepaskan pengikat dan menyebabkan cedera.

**Jangan mengaktuasi alat kecuali jika alat terpasang dengan kuat terhadap benda kerja.** Jika alat tidak bersentuhan dengan benda kerja, pengikat dapat terbelokkan dari target Anda.

**Lepaskan alat dari sumber listrik saat pengikat tersangkut pada alat.** Saat melepas pengencang yang macet, nailer bisa tidak sengaja aktif apabila dicolokkan.

**Hati-hati saat mengeluarkan pengikat yang macet.** Mekanismenya mungkin berada di bawah kompresi dan pengikat dapat tersembur dengan paksa ketika berusaha untuk dilepaskan dari sumbatan.

**Jangan gunakan nailer ini untuk mengencangkan kabel listrik.** Alat ini tidak dirancang untuk pemasangan kabel listrik dan dapat merusak isolasi kabel listrik sehingga menyebabkan sengatan listrik atau bahaya kebakaran.

**Kenakan pelindung telinga.** Berada di lingkungan yang bising dapat menyebabkan gangguan pendengaran.

**Pegang power tool pada permukaan pegangan berinsulasi saat mengoperasikan dengan paku yang bisa menyentuh kabel tersembunyi.** Paku yang menyentuh kabel yang 'teraliri' dapat membuat bagian logam dari produk yang terekspos menjadi 'teraliri' dan menyebabkan operator tersengat listrik.

**Selalu kenakan pelindung mata dengan pelindung samping.** Kacamata sehari-hari hanya memiliki lensa tahan benturan. Kacamata tersebut bukan kacamata keselamatan. Dengan mengikuti aturan ini akan mengurangi risiko cedera serius.

**Pelindung mata memberikan perlindungan terhadap partikel-partikel yang beterbangan baik dari depan dan dari samping, dan harus selalu dikenakan oleh operator dan orang lainnya di area kerja saat memuat, mengoperasikan, atau memperbaiki produk ini.** Pelindung mata diperlukan untuk melindungi diri

pengencang dan puing-puing yang bisa menyebabkan cedera mata yang parah.

Selalu keluarkan baterai sebelum menyesuaikan kedalaman roda penggerak. Jangan menarik mundur pada roda penyesuaian, roda ini dirancang untuk diputar.

Jangan menekan pelatuk ketika menyesuaikan kedalaman roda penggerak. Selalu pilih mode pembakaran sekuensial penuh sebelum menyesuaikan kedalaman penggerak.

Jangan mengarahkan alat ke diri sendiri atau orang di sekitar saat menyesuaikan kedalaman penggerak.

**PETUNJUK KESELAMATAN DAN KERJA TAMBAHAN**

Selalu waspada akan penyalahgunaan dan penanganan yang tidak tepat terhadap produk ini yang dapat menyebabkan cedera pada diri Anda dan orang lain.

Produk ini dirancang untuk penggunaan dengan satu tangan. Jangan pegang produk di bagian depan magasin. Jangan meletakkan tangan, kepala, atau bagian tubuh Anda lainnya di sekitar bagian bawah magasin tempat paku keluar dari produk, karena dapat menyebabkan cedera pribadi yang serius.

Selalu pastikan bahwa kontak benda kerja diposisikan sepenuhnya di atas benda kerja. Memosisikan kontak benda kerja hanya sebagian di atas benda kerja dapat menyebabkan paku meleset dari benda kerja, dan dapat mengakibatkan cedera pribadi yang serius.

Jangan mengarahkan paku di dekat tepi material. Benda kerja dapat terbelah menyebabkan paku memantul, melukai Anda, atau rekan kerja. Waspadalah akan paku yang mungkin bergerak mengikuti serpihan kayu, menyebabkannya secara tiba-tiba menonjol keluar dari sisi benda kerja atau membelok, yang dapat menyebabkan cedera.

Jauhkan tangan dan bagian tubuh Anda dari area kerja langsung. Pegang benda kerja dengan klem bila perlu untuk menjaga tangan dan tubuh dari potensi bahaya. Pastikan benda kerja diamankan dengan benar sebelum menekan pengencang pada material. Kontak dengan benda kerja dapat menyebabkan benda kerja bergeser secara tak terduga. Jauhkan bagian wajah dan tubuh Anda dari bagian belakang tutup produk saat bekerja di area yang terbatas. Gerakan sentakan yang tiba-tiba bisa mengakibatkan benturan pada tubuh, terutama saat memaku pada bahan yang keras atau padat.

Selama pemakaian normal, alat akan segera terpentil mundur setelah menggerakkan pengikat. Ini adalah fungsi normal dari produk. Jangan mencoba mencegah sentakan balik paku dengan menahan nailer pada benda kerja. Penahanan pentalan bisa mengakibatkan pengencang kedua terdorong dari nailer. Genggam pegangan dengan kuat, biarkan produk bekerja, dan

jangan meletakkan tangan kedua di atas alat atau di dekat saluran pembuangan kapan pun. Gagal memperhatikan peringatan ini dapat mengakibatkan cedera pribadi yang serius.

Jangan menggerakkan pengencang di atas pengencang lain atau dengan produk pada sudut yang terlalu curam karena dapat menyebabkan pengencang membelok, yang dapat menyebabkan cedera.

Selalu periksa area kerja akan adanya kabel tersembunyi, saluran gas, saluran air, dll sebelum menggunakan produk di area kerja tersebut.

Setelah menggunakan produk dalam mode aktuasi kontak, alihkan kembali ke mode sekuensial penuh.

Kedalamanendorongan paku dapat disesuaikan melebihi tekanan udara. Dianjurkan untuk menguji kedalaman pada benda kerja sisa untuk menentukan kedalaman yang diperlukan untuk aplikasi tersebut.

Hanya pengikat yang sesuai dengan deskripsi dalam data teknis yang dapat digunakan dengan produk ini. Menggunakan pengencang yang tidak tepat dapat menyebabkan tersangkut atau kegagalan fungsi lainnya.

Jangan memilih mode aktuasi kontak saat bekerja di atas perancah, tangga, atau platform di mana Anda mungkin perlu memindahkan posisi tubuh. Anda dapat menembakkan paku secara tidak sengaja jika kontak benda kerja diaktifkan secara tidak sengaja sewaktu bergerak, jika mode aktuasi kontak dipilih. Saat memindahkan posisi, pilih aktivasi sekuensial penuh atau nonaktifkan produk sepenuhnya dengan melepas baterai. Langkah ini mengurangi potensi cedera pada diri sendiri dan orang lain.

Lepaskan paket baterai sebelum memulai pekerjaan apa pun pada produk.

#### PETUNJUK KESELAMATAN BATERAI

Jangan membuang baterai bekas di tempat sampah rumah tangga dan jangan membakarnya. Distributor MILWAUKEE menawarkan untuk mengambil baterai lama guna melindungi lingkungan kita.

Jangan simpan baterai bersama benda logam (risiko hubung singkat).

Hanya gunakan pengisi daya System M12 untuk mengisi daya paket baterai System M12. Jangan menggunakan unit baterai dari sistem lain.

Jangan sekali-kali membuka unit baterai dan pengisi daya serta hanya simpan di tempat kering. Jaga kemasan baterai dan pengisi daya tetap kering di sepanjang waktu.

Asam baterai dapat merembes dari baterai yang rusak akibat beban atau suhu yang ekstrem. Jika asam baterai mengenai anda, segera cuci dengan sabun dan air. Jika mengenai mata, bilas sebanyak-banyaknya selama setidaknya 10 menit dan segera dapatkan penanganan medis.

Tidak ada komponen logam yang diperbolehkan memasuki kompartemen baterai pada pengisi daya (risiko arus pendek).

#### PERINGATAN KESELAMATAN BATERAI TAMBAHAN

**⚠ PERINGATAN!** Untuk mengurangi risiko kebakaran, cedera pribadi, dan kerusakan produk akibat hubungan arus pendek, jangan pernah merendam alat, baterai atau charger anda dalam cairan atau biarkan cairan mengalir di dalamnya. Cairan korosif atau konduktif, seperti air laut, bahan kimia industri tertentu, dan produk pemutih atau yang mengandung pemutih, dan sebagainya, dapat menyebabkan hubungan arus pendek.

#### KONDISI PENGGUNAAN KHUSUS

Produk dimaksudkan untuk mengarahkan paku ke dalam kayu atau bahan lunak serupa dari magazin yang berisi larik paku yang

sesuai. Paku, yang dapat dengan aman dimuat ke dalam magazin untuk produk, dijelaskan dalam tabel spesifikasi produk dalam manual ini. Jangan gunakan jenis paku lain atau memasangkannya dengan produk.

Jangan menggunakan produk untuk tujuan lain.

#### RISIKO RESIDU

Bahkan ketika produk digunakan seperti yang ditentukan, masih tidak mungkin untuk sepenuhnya menghilangkan faktor risiko residual tertentu. Bahaya mungkin timbul selama penggunaan produk dan operator harus memberikan perhatian khusus untuk menghindari hal-hal berikut:

- cedera yang disebabkan oleh vibrasi
  - Pegang produk dengan menggunakan tuas yang disediakan dan batasi waktu kerja dan paparan.
- cedera pendengaran yang disebabkan paparan terhadap suara
  - Batasi paparan dan gunakan pelindung telinga yang sesuai.
- cedera akibat terdampar serpihan
  - Kenakan alat pelindung diri yang sesuai, celana panjang yang tebal, sarung tangan, alas kaki yang kuat, dan kacamata pengaman, setiap saat.
- bahaya kesehatan yang disebabkan oleh menghirup debu beracun
  - Gunakan masker jika perlu.

#### BATERAI

Unit baterai yang tidak digunakan selama beberapa waktu harus diisi ulang sebelum digunakan.

Suhu yang melebihi 50 °C akan mengurangi kinerja paket baterai. Hindari paparan berkepanjangan terhadap panas atau sinar matahari (risiko panas berlebihan).

Kontak pengisi daya dan paket baterai harus dijaga kebersihannya.

Untuk masa pemakaian optimal, paket baterai harus diisi dayanya hingga penuh setelah digunakan.

Untuk memaksimalkan masa pemakaian baterai, lepaskan paket baterai dari pengisi daya setelah terisi sepenuhnya.

Untuk penyimpanan paket baterai lebih dari 30 hari:

- Simpan paket baterai jika suhu berada di bawah 27 °C dan jauhkan dari kelembapan.
- Simpan paket baterai dalam kondisi terisi dayanya 30% - 50%.
- Jika penyimpanan paket baterai mencapai enam bulan, isi daya baterai seperti biasa.

#### PERLINDUNGAN PAKET BATERAI

Dalam torsi yang sangat tinggi, mengikat, mogok dan situasi arus pendek yang menyebabkan tarikan arus tinggi, alat akan bergetar selama sekitar 5 detik, pengukur bahan bakar akan berkedip, dan kemudian alat akan padam. Untuk menyeting ulang, lepaskan pemacu.

Dalam kondisi ekstrem, suhu dalam baterai dapat meningkat. Jika ini terjadi, indikator bahan bakar akan berkedip sampai unit baterai dingin, dan kemudian Anda boleh melanjutkan pekerjaan.

#### MENGANGKUT BATERAI LITUM

Baterai litium-ion tunduk pada persyaratan legislasi barang berbahaya.

Pengangkutan baterai ini harus dilakukan sesuai regulasi dan peraturan daerah, nasional, dan internasional.

Baterai dapat diangkut melalui jalan darat tanpa persyaratan khusus.

Pengangkutan komersial baterai lithium-ion oleh pihak ketiga harus tunduk pada Peraturan terkait Barang Berbahaya. Persiapan

pengangkutan dan pengangkutan harus dilakukan oleh orang yang terlatih dan prosesnya harus didampingi oleh pakar yang terkait.

Ketika mengangkat baterai:

- Pastikan terminal kontak baterai terlindungi dan terinsulasi untuk mencegah terjadinya korsleting.
- Pastikan bahwa unit baterai aman dari gerakan dalam pengemasan.
- Jangan mengangkat baterai yang retak atau bocor.
- Tanyakan kepada perusahaan ekspedisi untuk mendapatkan saran lebih lanjut.

### PERAWATAN

Jaga produk, unit baterai, dan pengisi daya dalam kondisi baik dengan menerapkan program perawatan rutin. Periksa jika ada masalah pada produk seperti kebisingan yang tidak semestinya, ketidaksejajaran, bagian bergerak yang terhenti, kerusakan bagian, atau kondisi lainnya yang dapat mempengaruhi pengoperasian produk.

Setelah enam bulan hingga satu tahun, tergantung penggunaan, kembalikan produk, unit baterai, dan pengisi daya ke pusat servis MILWAUKEE untuk diperiksa.

Jika alat tidak menyala atau beroperasi dengan daya penuh saat baterai terisi penuh, bersihkan kontak pada kemasan baterai. Jika produk masih belum bekerja dengan benar, kembalikan produk, pengisi daya, dan unit baterai ke pusat servis MILWAUKEE untuk diperbaiki.

Jaga agar lubang ventilasi produk tetap bersih setiap waktu.

Hanya gunakan aksesoris MILWAUKEE dan suku cadang MILWAUKEE. Jika komponen yang belum dijelaskan harus diganti, hubungi salah satu pusat servis MILWAUKEE kami (lihat daftar alamat pusat servis atau garansi kami).

Jika diperlukan, gambar produk yang diperbesar dapat dipesan. Sebutkan tipe produk dan nomor seri yang tertera pada label, dan pesanlah gambarnya pada agen layanan setempat.

### PEMBERSIHAN

Bersihkan debu dan kotoran dari slot ventilasi. Jaga pegangan perkakas tetap bersih, kering dan bebas oli dan gemuk. Hanya gunakan sabun lembut dan lap basah untuk membersihkan produk karena zat pembersih dan pelarut tertentu berbahaya bagi plastik dan bagian terinsulasi lainnya. Zat pembersih ini diantaranya adalah bensin, terpentin, tiner pernis, tiner cat, pelarut pembersih berklorin, amonia dan detergen rumah tangga yang mengandung amonia. Jangan sekali-kali menggunakan pelarut yang dapat terbakar atau mudah terbakar di sekitar peralatan.

### PERBAIKAN

Kembalikan produk, baterai, dan pengisi daya ke pusat servis MILWAUKEE untuk diperbaiki.

### AKSESORI

Peringatan! Hanya gunakan aksesoris yang direkomendasikan. Aksesoris lain dapat membahayakan.

Untuk daftar lengkap aksesoris, kunjungi [www.milwaukeetool.asia](http://www.milwaukeetool.asia) secara online.

### SIMBOL



Baca instruksi dengan saksama sebelum menyalakan produk.



PERHATIAN! PERINGATAN! BAHAYA!



Lepaskan paket baterai sebelum memulai pekerjaan apa pun pada produk.



Selalu pakai kacamata goggle saat menggunakan produk ini.



Kenakan pelindung telinga.



Pakai masker pelindung debu yang tepat.



Pakai sarung tangan.



Tipe pengencang (fastener)  
Diameter  
Panjang min/maks



Jauhkan tangan.



Konten di bawah tekanan. Jangan membuka produk. Dapat terjadi cedera serius. Kembalikan ke pusat servis resmi untuk semua perbaikan.

$n_0$

Kecepatan tanpa beban

V

Voltase



Arus Search



Jangan membuang limbah baterai, limbah peralatan listrik dan elektronik sebagai limbah kota yang tidak disortir. Limbah baterai dan limbah peralatan listrik dan elektronik harus dikumpulkan secara terpisah. Baterai limbah, akumulator limbah, dan sumber cahaya harus disingkirkan dari peralatan. Hubungi otoritas setempat atau penjual untuk mendapatkan informasi lokasi daur ulang dan tempat pengumpulan. Menurut peraturan setempat, penjual dapat diwajibkan untuk menerima kembali baterai bekas dan limbah peralatan listrik dan elektronik tanpa mengenakan biaya. Kontribusi Anda untuk menggunakan kembali dan mendaur ulang limbah baterai dan limbah peralatan listrik dan elektronik membantu mengurangi permintaan bahan baku. Baterai bekas, khususnya yang mengandung litium dan limbah peralatan listrik dan elektronik mengandung material berharga yang dapat didaur ulang, yang dapat berdampak buruk pada lingkungan dan kesehatan manusia, jika tidak dibuang dengan cara yang ramah lingkungan. Hapus data personel dari peralatan yang dibuang, jika ada.

**THÔNG SỐ KỸ THUẬT****M12 PN23GS**

Loại	Máy bắn đinh không dây
Điện áp pin	12 V ---
Tỷ lệ chu kỳ	2/sec
Góc đan xen	0°
Loại ghim đập	Đinh chi
Đường kính	0,58 mm (23 Ga)
Chiều dài tối đa/tối thiểu	13 mm – 35 mm
Sức chứa của băng đinh (số lượng đinh)	118-136
Trọng lượng theo quy trình EPTA 01/2014 (2,0 Ah - 6,0 Ah)	2,1 kg - 2,4 kg
Nhiệt độ môi trường khuyến nghị khi vận hành	-18 – +50 °C
Loại pin được khuyến nghị	M12B..., M12 HB...
Bộ sạc được khuyến nghị	C12C..., M12-18...

**⚠ CẢNH BÁO!** Hãy đọc tất cả các cảnh báo an toàn, hướng dẫn, hình minh họa và thông số kỹ thuật đi kèm dụng cụ có động cơ này. Không tuân thủ những cảnh báo và chỉ dẫn có thể dẫn đến giết điện, hỏa hoạn và/hoặc chấn thương nghiêm trọng.

Lưu giữ lại tất cả các cảnh báo và hướng dẫn để tham khảo trong tương lai.

**CẢNH BÁO AN TOÀN CHO MÁY BẮN ĐINH KHÔNG DÂY**

**Luôn giả sử rằng công cụ có chứa ghim đập.** Việc xử lý bất cẩn máy bắn đinh có thể dẫn đến bắn nhầm đinh và gây chấn thương cá nhân.

**Không chỉ công cụ này về phía bạn hoặc bất cứ ai ở gần.** Việc nhả cò nhằm sẽ bắn ghim đập và gây ra chấn thương.

**Không kích hoạt công cụ trừ khi công cụ đã được đặt chắc chắn ở trước vật gia công.** Nếu công cụ không tiếp xúc với vật gia công, ghim đập có thể chệch ra khỏi mục tiêu của bạn.

**Ngắt kết nối công cụ khỏi nguồn điện khi ghim đập bị kẹt trong dụng cụ.** Trong khi tháo chốt bị kẹt, súng bắn đinh có thể vô tình được kích hoạt nếu cắm điện.

**Luôn thận trọng khi tháo một ghim đập bị kẹt.** Máy có thể đang bị nén và ghim đập có thể bị bắn ra đột ngột khi cò giải phóng tình trạng bị kẹt.

**Không sử dụng súng bắn đinh này để kẹp buộc dây cáp điện.** Nó không được thiết kế để lắp dây cáp điện và có thể làm hỏng lớp cách điện của dây cáp điện, gây điện giật hoặc hỏa hoạn.

**Đeo thiết bị bảo vệ tai.** Tiếp xúc với tiếng ồn có thể gây điếc.

**Cầm dụng cụ điện tại các bề mặt tay cầm cách điện, khi thực hiện thao tác mà đinh có thể tiếp xúc với hệ thống dây điện ẩn.** Đinh tiếp xúc với một dây điện "sống" có thể dẫn điện cho các phần kim loại bị hở của máy và khiến người vận hành bị điện giật.

**Luôn đeo tấm kính bảo vệ mắt có tấm chắn hai bên.** Kính sử dụng hàng ngày chỉ có mắt kính chịu lực. Chúng không phải kính bảo hộ. Tuân thủ nguyên tắc này sẽ giảm thiểu nguy cơ chấn thương cá nhân nghiêm trọng.

**Tấm kính bảo vệ mắt giúp bảo vệ mắt khỏi các mảnh bắn từ cả phía trước và phía bên, và phải luôn được người vận hành và những người khác đeo ở khu vực làm việc khi nạp, vận hành và bảo dưỡng công cụ này.** Tấm kính bảo vệ mắt rất cần thiết để bảo vệ mắt khỏi ghim đập và mảnh bắn có thể gây chấn thương nghiêm trọng cho mắt.

Luôn tháo ốc quy trước khi điều chỉnh độ sâu của bánh dẫn động. Không kéo bánh điều chỉnh, bánh điều chỉnh được thiết kế để xoay.

Không nhấn cò trong khi điều chỉnh độ sâu của bánh dẫn động. Luôn chọn chế độ bắn tuần tự hoàn toàn trước khi điều chỉnh độ sâu dẫn động.

Không chỉ công cụ này về phía bạn hoặc bất cứ ai gần đó khi điều chỉnh độ sâu dẫn động.

**HƯỚNG DẪN AN TOÀN VÀ HOẠT ĐỘNG BỔ SUNG**

Luôn lưu ý rằng việc sử dụng sai cách sản phẩm có thể gây chấn thương cho bản thân bạn và những người khác.

Sản phẩm này được thiết kế để sử dụng bằng một tay. Không cầm băng phản trước của máng trữ. Không đặt bàn tay, đầu hoặc bất kỳ bộ phận nào khác của cơ thể bạn gần phần dưới của máng khi đinh thoát ra khỏi sản phẩm, bởi điều này có thể gây ra chấn thương cá nhân nghiêm trọng.

Luôn đảm bảo rằng đầu tiếp xúc với vật gia công được đặt thẳng hàng ở phía trên vật gia công. Việc đặt đầu tiếp xúc không hoàn toàn thẳng hàng với vật gia công có thể khiến đinh bị chệch hoàn toàn ra khỏi vật gia công và gây chấn thương cá nhân nghiêm trọng.

Không bắn đinh ở gần cạnh của vật liệu. Vật gia công có thể bị vỡ, khiến đinh bị nảy bật ra và gây chấn thương cho bạn hoặc một đồng nghiệp. Hãy nhớ rằng đinh có thể luôn theo thớ gỗ, khiến nó nhô ra từ bên của vật gia công hoặc bật ra ngoài, có thể gây chấn thương.

Hãy giữ bàn tay và cơ thể bạn tránh xa khỏi khu vực làm việc trực tiếp. Nếu cần, có thể dùng kim để giữ vật gia công để không gây nguy hiểm cho bạn tay và cơ thể. Đảm bảo vật gia công được cố định chắc chắn trước khi ấn ghim đập vào vật liệu. Đầu tiếp xúc với vật gia công có thể khiến vật liệu bị dịch chuyển đột ngột. Giữ mặt và cơ thể tránh xa mặt sau nắp công cụ khi làm việc trong khu vực hẹp. Lực kéo giật lùi đột ngột có thể tác động đến cơ thể, đặc biệt là khi bắn đinh vào vật liệu cứng hoặc đặc.

Trong sử dụng thông thường, sản phẩm sẽ bật lại ngay sau khi bắn ghim đập. Đây là chức năng bình thường của sản phẩm. Không được ngăn lực kéo giật lùi bằng cách ti chặt súng bắn đinh vào phôi. Việc hạn chế lực bật có thể khiến một đinh thứ hai bị bắn ra khỏi máy bắn đinh. Giữ chặt tay cầm, để sản phẩm làm việc, và không bao giờ đặt một bàn tay thứ hai lên trên dụng cụ hoặc gần ống xả. Việc không tuân thủ cảnh báo này có thể dẫn đến chấn thương cá nhân nghiêm trọng.

Không bắn đinh lên trên các đinh khác hoặc khi đặt sản phẩm ở một góc quá hẹp bởi điều này có thể khiến đinh bị nảy ra và gây chấn thương.

Luôn kiểm tra khu vực làm việc để xác định đường dây ngầm, đường ống dẫn khí, đường ống nước, v.v. trước khi sử dụng sản phẩm trên khu vực làm việc đó.

Sau khi sử dụng sản phẩm trong chế độ kích hoạt tiếp xúc, hãy chuyển nó về chế độ bắn tự hoàn toàn.

Độ sâu siết đinh có thể được điều chỉnh lớn hơn áp suất không khí. Bạn nên kiểm tra độ sâu này trên một vật gia công dư thừa để xác định độ sâu cần thiết cho ứng dụng.

Chỉ sử dụng các dinh khớp với mô tả trong dữ liệu Kỹ thuật với sản phẩm. Việc sử dụng các ghim dập không phù hợp có thể dẫn đến kẹt ghim dập hoặc các hỏng hóc khác.

Không chọn chế độ kích hoạt tiếp xúc khi làm việc trên một gian giáo, thang hoặc các bục khác nơi bạn cần thay đổi vị trí làm việc. Bạn có thể vô tình bắn đinh do bất ngờ kích hoạt đầu tiếp xúc với gia công trong khi di chuyển nếu chọn chế độ kích hoạt đầu tiếp xúc. Khi di chuyển vị trí, hãy chọn chế độ kích hoạt tuần tự hoàn toàn hoặc tắt hoàn toàn sản phẩm bằng cách tháo pin. Nguyên tắc này sẽ giảm nguy cơ chấn thương cho bạn và những người khác.

Tháo pin trước khi bắt đầu thao tác với sản phẩm.

### HƯỚNG DẪN AN TOÀN CHO PIN

Không tháo bỏ các pin cũ theo rác thải sinh hoạt hoặc đốt chúng. Các nhà phân phối MILWAUKEE đề nghị được lấy lại các pin cũ để bảo vệ môi trường của chúng ta.

Không bảo quản pin cùng với vật dụng kim loại (nguy cơ ngắn mạch).

Chỉ sử dụng các bộ sạc M12 để sạc pin M12. Không sử dụng pin từ các hệ thống khác.

Không bao giờ phá vỡ các pin và bộ sạc, và chỉ bảo quản chúng trong các phòng khô. Luôn đảm bảo các pin và bộ sạc được khô.

Axit trong pin có thể rò rỉ từ pin bị hư hại trong điều kiện nhiệt độ khắc nghiệt hoặc tải quá nặng. Nếu bị tiếp xúc với axit trong pin, hãy rửa ngay lập tức bằng xà phòng và nước. Trong trường hợp axit tiếp xúc với mắt, hãy rửa sạch trong ít nhất 10 phút và ngay lập tức đi khám bác sĩ.

Không để các chi tiết kim loại đi vào phần chứa pin của bộ sạc (nguy cơ ngắn mạch).

### CÁC CẢNH BÁO AN TOÀN BỔ SUNG CHO PIN

**⚠ CẢNH BÁO!** Để giảm nguy cơ hỏa hoạn, chấn thương cá nhân và hư hại sản phẩm do ngắn mạch, không bao giờ nhúng sản phẩm, pin hay bộ sạc trong chất lỏng hoặc cho phép chất lỏng xâm nhập vào chúng. Các chất lỏng ăn mòn hoặc dẫn điện, ví dụ như nước biển, một số hóa chất công nghiệp, và chất tẩy hoặc sản phẩm chứa chất tẩy, v.v., đều có thể gây ngắn mạch.

### ĐIỀU KIỆN SỬ DỤNG CỤ THỂ

Sản phẩm được thiết kế để bắn đinh vào gỗ hoặc các vật liệu mềm tương tự từ máng chứa một dải đinh phù hợp. Đinh có thể được nạp an toàn vào máng cho sản phẩm được mô tả trong bảng dữ liệu kỹ thuật trong sách hướng dẫn này. Không sử dụng bất kỳ loại đinh hay vít nào khác với sản phẩm này.

Không sử dụng sản phẩm cho bất kỳ mục đích nào khác.

### RỦI RO CÓ HƯU

Ngay cả khi sử dụng sản phẩm theo chỉ định, thì vẫn không thể loại bỏ hoàn toàn các yếu tố rủi ro còn lại. Các mối nguy hiểm sau đây có thể phát sinh khi sử dụng sản phẩm và người vận hành cần đặc biệt chú ý để tránh những điều sau đây:

- chấn thương do rung động
  - Giữ sản phẩm bằng tay cầm được chỉ định và hạn chế thời gian làm việc và tiếp xúc.
- tổn thương thính giác do tiếp xúc với tiếng ồn
  - Hạn chế tiếp xúc và đeo đồ bảo vệ thính giác phù hợp.
- bị thương do mảnh vỡ bay ra
  - Luôn đeo thiết bị bảo hộ cá nhân thích hợp, mặc quần dài dày, đeo găng tay, xỏ giày dép chắc chắn và đeo kính an toàn.
- mối nguy hiểm cho sức khỏe do hít phải bụi độc hại
  - Đeo khẩu trang nếu cần.

### PIN

Các pin chưa được sử dụng trong một thời gian dài nên được sạc lại trước khi sử dụng.

Nhiệt độ vượt quá 50 °C làm giảm hiệu năng của pin. Tránh tiếp xúc trong thời gian dài với nhiệt độ hoặc ánh nắng mặt trời (nguy cơ quá nhiệt).

Các điểm tiếp xúc của bộ sạc và bộ pin phải được giữ sạch sẽ.

Để có tuổi thọ tối ưu, các pin phải được sạc đầy sau mỗi lần sử dụng.

Để đảm bảo thời lượng pin lâu nhất có thể, hãy rút pin ra khỏi bộ sạc sau khi nó được sạc đầy.

Để bảo quản pin lâu hơn 30 ngày:

- Bảo quản pin ở nơi khô, có nhiệt độ dưới 27 °C.
- Bảo quản pin ở mức sạc 30% – 50%.
- Sau mỗi 6 tháng bảo quản, sạc pin như bình thường.

### BAO VỆ PIN

Trong các tình huống mômen xoắn cao, kẹp, kẹt và ngắn mạch có thể tăng cường độ dòng điện, sản phẩm sẽ rung khoảng 5 giây, đồng hồ xăng sẽ nháy sáng, và sau đó sản phẩm bị tắt. Để đặt lại, hãy nhả cò ra.

Trong các tình huống khắc nghiệt, nhiệt độ bên trong của pin có thể trở nên quá cao. Nếu điều này xảy ra, đồng hồ đo nhiên liệu sẽ nhấp nháy cho đến khi bộ pin nguội bớt, sau đó bạn có thể tiếp tục làm việc.

### VẬN CHUYỂN PIN LITHIUM

Các bình pin lithium-ion cần tuân thủ Luật về Hàng hóa Nguy hiểm. Việc vận chuyển các pin này phải được thực hiện theo các điều kiện và quy định của địa phương, quốc gia và quốc tế.

Pin có thể được vận chuyển bằng đường bộ mà không có yêu cầu nào khác.

Việc vận chuyển thương mại pin lithium-ion bởi các bên thứ ba cần tuân thủ quy định về Hàng hóa Nguy hiểm. Việc chuẩn bị vận chuyển và vận chuyển cần được thực hiện bởi những người được đào tạo phù hợp và quy trình này phải được giám sát bởi các chuyên gia trong ngành.

Khi vận chuyển pin:

- Đảm bảo các đầu tiếp xúc của pin được bảo vệ và cách điện để ngăn ngắn mạch.
- Đảm bảo pin được cố định để không di chuyển trong bao bì.
- Không vận chuyển các pin bị nứt hoặc rò rỉ.
- Kiểm tra với công ty chuyên tiếp để được tư vấn thêm.

### BAO TRÌ

Bảo quản sản phẩm, bộ pin và bộ sạc trong tình trạng tốt bằng cách sử dụng chương trình bảo dưỡng định kỳ. Kiểm tra xem sản phẩm có gặp vấn đề nào không, chẳng hạn như phát ra tiếng ồn quá lớn, lệch trục hoặc các bộ phận chuyển động bị mắc vào nhau, linh kiện bị vỡ hoặc bất cứ tình trạng nào khác có thể ảnh hưởng đến hoạt động của sản phẩm.

Sau 6 tháng đến 1 năm, tùy vào cách sử dụng, hãy mang sản phẩm, bộ pin và bộ sạc đến trung tâm dịch vụ của MILWAUKEE để kiểm tra.

Nếu sản phẩm không khởi động hoặc hoạt động hết công suất với bộ pin được sạc đầy, hãy vệ sinh các điểm tiếp xúc trên bộ pin. Nếu sản phẩm vẫn không vận hành bình thường, hãy gửi sản phẩm, bộ sạc và bộ pin đến trung tâm dịch vụ của MILWAUKEE để sửa chữa.

Luôn giữ cho các khe thông gió của sản phẩm thông thoáng.

Chỉ sử dụng các phụ kiện và phụ tùng của MILWAUKEE. Nếu cần

thay thế các thành phần không được mô tả, vui lòng liên hệ với một trong các trung tâm bảo dưỡng MILWAUKEE của chúng tôi (xem danh sách địa chỉ bảo hành hoặc bảo dưỡng của chúng tôi).

Nếu cần, có thể yêu cầu xem hình vẽ mô tả chi tiết các bộ phận. Vui lòng nêu rõ số sê-ri cũng như loại sản phẩm được in trên nhãn và yêu cầu bản vẽ tại các trung tâm dịch vụ địa phương của bạn.

### LÀM SẠCH

Dọn sạch bụi và mảnh vụn trong các lỗ thông hơi. Luôn giữ cho tay cầm sản phẩm được sạch, khô và không dính dầu mỡ. Chỉ sử dụng xà phòng nhẹ và khăn ẩm để lau sản phẩm vì một số chất làm sạch và dung môi có hại cho nhựa và các bộ phận cách điện khác. Một vài trong số này bao gồm xăng, nhựa thông, chất pha loãng sơn mài, chất pha loãng sơn, dung môi làm sạch clo, amoniac và chất tẩy rửa gia dụng có chứa amoniac. Không bao giờ sử dụng các dung môi dễ cháy hoặc dễ bắt lửa xung quanh các dụng cụ.

### SỬA CHỮA

Gửi lại sản phẩm, bộ pin và bộ sạc cho trung tâm bảo dưỡng của MILWAUKEE để sửa chữa.

#### PHỤ KIỆN

Cảnh báo! Chỉ sử dụng các phụ kiện được khuyến nghị. Sử dụng các phụ kiện khác có thể nguy hiểm.

Để xem danh sách phụ kiện đầy đủ, hãy truy cập vào trang web trực tuyến [www.milwaukeetool.asia](http://www.milwaukeetool.asia).

#### KỸ HIỆU



Đọc kỹ hướng dẫn trước khi khởi động sản phẩm.



**CHÚ Ý CẢNH BÁO! NGUY HIỂM!**



Tháo pin trước khi bắt đầu thao tác với sản phẩm.



Luôn đeo kính bảo vệ khi sử dụng sản phẩm.



Đeo thiết bị bảo vệ tai.



Sử dụng khẩu trang chống bụi phù hợp.



Đeo găng tay.



Loại ghim dập  
Đường kính  
Chiều dài tối đa/tối thiểu



Không cho tay vào gần.



Phần bên trong chịu áp lực. Không được mở sản phẩm. Chấn thương nghiêm trọng có thể xảy ra. Trả lại trung tâm dịch vụ được ủy quyền cho mọi hoạt động sửa chữa.

$n_0$

Tốc độ không tải

V

Điện áp



Dòng điện một chiều



Không vứt bỏ pin thải, thiết bị điện và điện tử thải cùng với rác thải đô thị chưa được phân loại. Pin thải và thiết bị điện và điện tử thải phải được thu gom riêng. Phải loại bỏ pin thải, bộ tích điện thải và nguồn sáng khô thiết bị. Kiểm tra với chính quyền địa phương hoặc nhà bán lẻ của bạn để được tư vấn về tái chế và điểm thu gom. Theo quy định của địa phương, các nhà bán lẻ có thể có nghĩa vụ nhận lại pin thải và thiết bị điện và điện tử thải miễn phí. Sự đóng góp của bạn trong việc tái sử dụng và tái chế pin thải và thiết bị điện và điện tử thải sẽ giúp giảm nhu cầu về nguyên liệu thô. Đặc biệt, pin thải có chứa lithium và thiết bị điện và điện tử thải chứa các vật liệu có giá trị, có thể tái chế, có thể tác động xấu đến môi trường và sức khỏe con người, nếu không được xử lý theo cách phù hợp với môi trường. Xóa dữ liệu cá nhân khỏi thiết bị thải, nếu có.

タイプ	コードレスナイラー
バッテリー電圧	12 V $\equiv$
サイクル速度	2/sec
照合角度	0°
ファスナーの種類	ピンネイル
直径	0.58 mm (23 Ga)
最小/最大長さ	13 mm – 35 mm
マガジン容量(くぎ数)	118-136
本体重量(2.0 Ah ~ 6.0 Ah バッテリー装着時)(EPTA 01/2014 準拠)	2.1 kg ~ 2.4 kg
推奨周囲動作温度	-18 ~ +50 °C
推奨バッテリータイプ	M12B..., M12 HB...
推奨充電器	C12C..., M12-18...

**⚠ 警告!** 本電動工具に同梱されているすべての安全警告、指示、図、仕様をお読みください。下記のすべての指示に従わない場合、感電や火災が発生したり、重傷を負う可能性があります。

今後の参考のために、すべての警告と指示を保存します。

#### コードレスナイラー使用に際しての安全警告

常に工具にファスナーが装填されていると想定してください。ナイラーの不注意な取り扱いにより、予期しないファスナーの発射やけがを引き起こすおそれがあります。

工具をご自分やまわりの人に向けしないでください。突然引き金を引くとファスナーが発射し、怪我の原因となります。

工具をワークピースにしっかりと押しつけずに作動させないでください。v 工具がワークピースに接触していないと、ファスナーが的から外れる可能性があります。

ファスナーが工具内で詰まった場合は、工具の電源接続を遮断してください。留め具の詰まりを除去する際に、ナイラーが電源に接続されていると、誤作動するおそれがあります。

詰まったファスナーを取り除く際は十分ご注意ください。装置が圧縮状態にあると、詰まりを取り除こうとする際にファスナーが勢いよく発射されることがあります。

このナイラーを電気ケーブルの固定に使用しないでください。電線の取り付け用に設計されていないため、電線の絶縁体を損傷し、感電や火災の危険の原因となる可能性があります。

耳栓を使用してください。騒音にさらされると、難聴を起こすことがあります。

くぎが隠れた配線に接触するおそれがある作業を行う際には、電動工具の絶縁されたグリップ面を保持してください。「通電」中の電線に接触しているネイルが電動工具の露出金属部を「通電」させることがあり、その場合、作業者を感電させることがあります。

必ずサイドシールド付き保護メガネを着用してください。日常用のメガネには耐衝撃性レンズしか使用されていません。保護メガネではありません。以下の規則に従って、重大な人身事故の危険性を減らしてください。

保護メガネは前面や側面から飛散する粒子から眼を保護します。作業中や作業場にいる他の人は、本工具の装填、操作、または修理の際、常に着用する必要があります。重大な眼の損傷の原因となるファスナーや破片の飛散から眼を保護するには、保護メガネが必要です。

ドライブホイールの深さを調整する前に、必ずバッテリーを取り外してください。調節ホイールは回転するよう設計されているため、引っ張らないでください。

ドライブホイールの深さを調整する際は、トリガを押さないでください。打ち込み深さを調整する前に、必ずフルシーケンシャルファイアリングモードを選択してください。

打ち込み深さを調整する際は、工具をご自分や他の人に向けしないでください。

#### 追加の安全上の注意事項および作業指示

製品の誤用や不適切な取扱いは、ご自分や他の人に怪我を引き起こす可能性があることを常に認識してください。

本製品は片手で使用する設計です。本製品をカートリッジの正面から持たないでください。大けがを負うおそれがあるため、本製品にネイルを装填しているときは、マガジン底部の近くに手、頭、またはその他の身体の一部を近づけないでください。

必ずワークピース接触点をワークピース上に完全に配置してください。ワークピース接触点をワークピース上に部分的にしか当たっていないと、ネイルがワークピースから完全に外れ、重大な人身傷害を引き起こす可能性があります。

材料の端部付近にネイルを打ち込まないでください。ワークピースが裂けてネイルがはね返り、ご自分や同僚が怪我をする可能性があります。ネイルは木目に沿って打ち込まれる可能性があるのご注意ください。突然被削材の側面から突き出たり、曲がったりして、怪我の原因となります。

手や身体を周辺の作業場から離してください。手や身体に危害を及ぼさないようにする必要がある場合、ワークピースをクランプで固定してください。ファスナーを材料に押し付ける前に、ワークピースがしっかりと固定されていることを確認してください。ワークピース接触点により、被削材が突然ずれる可能性があります。制限区域で作業する場合、顔と身体の一部を製品のキャップから離します。特に硬い材料や高密度の材料にくぎを打ち付ける場合、突然の反動により体に衝撃を受けるおそれがあります。

通常の使用で、本製品はネイルを打ち込んだ直後にはね返ります。これは本機の正常機能です。ナイラーをワークに当てて、反動を抑えようとししないでください。はね返りを抑えると、ネイルが2番目のファスナーを打ち込む可能性があります。ハンドルをしっかりと握り、製品を動作させます。また、いかなる時でも、もう片方の手を製品の上部または排気孔に配置しないでください。本警告に従わない場合、重大な人身傷害を引き起こす可能性があります。

他のファスナーの上にファスナーを打ち込んだり、本製品を用いて急角度でファスナーを打ち込まないでください。ファスナーのたわみを引き起こし、損傷の原因となる可能性があります。

製品を使用する前に、隠い配線、ガス管、送水管などがいないか、作業エリアを必ず確認してください。

製品を接触点作動モードで使用した後、フルシーケンシャルモードに切り替えます。

ネイルの打ち込み深さを空気圧を超えて調整される場合があります。用途に必要な深さを決めるため、ワークピースの薄片で深さを検査することをお勧めします。

技術データ表の記載に一致するファスナーのみ製品に使用できます。不適切なファスナーを使用すると、詰まりやその他の誤作動を引き起こす可能性があります。



体の位置を移動しなければならぬような足場やはしご、プラットフォーム上で作業するときは、接触点作動モードは選択しないでください。接触作動モードが選択されている場合、作動中にワークの接触により誤作動して、意図せずにくぎが飛び出すおそれがあります。位置を移動させる場合、フルシーケンシャルの有効化を選択するか、バッテリーパックを取り外して製品を完全に停止状態にします。この方法により、ご自分や他の人がけがをする可能性が低くなります。

作業前の調整時や保守・点検時は、本体からバッテリーを取り外してください。

#### バッテリーの安全上の注意事項

使用済みのバッテリーパックは家庭ゴミと一緒に廃棄したり、燃やしたりしないでください。ミルウォーキー(MILWAUKEE)販売店では、環境保護のために古いバッテリーを回収いたします。

金属片などと一緒にバッテリーパックを保管しないでください。ショートの危険があります。

M12システム・バッテリーの充電には、M12システムの充電器しか使用できません。別のシステムのバッテリーと混ぜて使用しないでください。

バッテリーと充電器は絶対に分解しないでください。バッテリーと充電器は湿度の低い屋内で保管してください。

極端な負荷や温度によってバッテリーが損傷し、液漏れが発生する場合があります。漏れ出た液と接触した場合は、直ちに石鹸と水で洗い流してください。目に入った場合は、少なくとも10分間流水ですすいで上、直ちに医師の診察を受けてください。

充電器の金属端子部に金属片などを接触させないでください。ショートの危険があります。

#### バッテリーに関する詳細な安全警告

**▲ 警告!** バッテリーに関する詳細な安全警告 漏電による火災、人的損傷、製品破損のリスクを軽減するために、製品、バッテリーパック、充電器を液体に浸したり、液体を流入させたりすることは絶対にしてしないでください。海水、特定の工業用化学物質、漂白剤または漂白剤を含む製品などの腐食または伝導性誘導体は、漏電の原因となることがあります。

#### 特定の使用条件

本製品は、適切なネイルストリップを装填したマガジンから木材や同様の軟質材料にニールを打ち込むものです。本製品のマガジンに安全に装填できるニールは、本マニュアルの製品仕様表に記載されています。他の種類のニールを使用したり、本製品で固定したりしないでください。

本製品を他の用途では使用しないでください。

#### 残存リスク

製品が規定どおりに使用された場合でも、特定の残存する危険因子を完全に排除することは不可能です。使用中に以下の危険が発生することがあり、作業者は以下を回避するために特に注意する必要があります。

- ・ 振動によるけが
  - 所定のハンドルを持って本製品を保持し、作業時間や暴露を制限します。
- ・ 騒音により生じる聴覚の異常
  - 暴露を制限し、適切な聴覚保護具を着用してください。
- ・ 飛散した破片によるけが
  - 適切な個人用保護具、高強度の長ズボン、グローブ、安全靴、保護メガネをつねに着用してください。
- ・ 有毒な粉塵の吸い込みによる健康上の危険性
  - 必要な場合はマスクを着用してください。

#### バッテリー

しばらく使用していなかったバッテリーパックは使用前に再度充電を行ってください。

50℃を超える温度下ではバッテリーパックの性能が低下します。直射日光や高熱に長時間さらさないようにしてください(オーバーヒートの危険性があります)。

充電器とバッテリーパックの接触部はつねに清潔な状態にしてください。最適な寿命を保つため、使用後はバッテリーをフル充電した後保管してください。

バッテリー寿命を最大に保つためにバッテリーをフル充電してから充電器から取り外してください。

バッテリーパックを30日以上保管する場合:

- ・ 温度27℃度未満で湿気がない場所に保管する。
- ・ 30〜50%の充電状態で保管する。
- ・ 6ヶ月に1回、通常通りに充電する。

#### バッテリーパックの保護

極めて高いトルク、ピンディング、停動、および高電流を引き起こす短絡状態では、製品は約5秒間振動して燃料計が点滅してからオフになります。リセットするには、トリガーを解除してください。

過酷な環境下では、バッテリー内の温度が過剰に上昇する場合があります。この場合、バッテリーパックが冷めるまで燃料ゲージが点滅し、点滅が終わると作業を続行できます。

#### リチウムバッテリーの輸送

リチウムイオンバッテリーは、危険物規制の要件の対象となります。

このバッテリーの輸送は、地域、国、および国際的な規定および規制に従って行わなければならない。

バッテリーの地上輸送には、それ以上の要件はありません。

第三者によるリチウムイオンバッテリーの商業輸送には、危険物規制が適用されます。輸送の準備と輸送は、適切な訓練を受けた人員のみが実施し、その作業には対応する専門家の同行が必要です。

バッテリーを輸送する場合:

- ・ バッテリーの接触端子は、漏電を防ぐために保護と絶縁の処理がされていることを確認してください。
- ・ バッテリーパックがパッケージ内で動かないように固定されていることを確認してください。
- ・ ひびが入ったり液漏れが発生しているバッテリーは輸送しないでください。
- ・ 詳細については、運送会社に確認してください。

#### 保守

定期メンテナンスプログラムを活用して、本製品、バッテリーパック、充電器を良好な状態に維持してください。製品の動作に影響を与える可能性のある、過度のノイズや位置ずれ、可動部品の結合、部品の破損などの問題がないか点検します。

6ヵ月から1年後(使用状況により異なります)に、本製品、バッテリーパック、充電器をMILWAUKEE サービスセンターに返送し、点検を受けてください。

フル充電されたバッテリーパックで製品がフルパワーで起動または操作しない場合、バッテリーパックの接点をきれいになります。本製品が正常に動作しない場合は、本製品、充電器、バッテリーパックをMILWAUKEE サービスセンターに返送してください。

充電の際、充電器の排気口を塞がないでください。

MILWAUKEEのアクセサリとサービスパーツのみを使用してください。記載されていない部品を交換する必要がある場合は、MILWAUKEE サービスセンターにお問い合わせください(保証リストまたはサービス所在地リストを参照してください)。

必要に応じて、製品の分解立体図をご注文いただけます。製品タイプとシリアル番号をラベルにご記入のうえ、お近くのサービスセンターで分解立体図をご注文ください。

お手入れ

通気孔から粉塵や異物を取り除きます。本製品のハンドルは清潔で乾燥した状態に保ち、オイルやグリースが付着しないようにしてください。特定の洗浄剤および溶剤はプラスチックや他の絶縁部品に有害なため、低刺激せっけんおよび濡った布のみを使用して製品を清掃します。これには、ガ

ソリン、テレピン油、ラッカーシンナー、塗料シンナー、塩素系清掃溶剤、アンモニア、アンモニアを含む家庭用洗剤が含まれます。絶対に工具の周りで可燃性の溶剤を使用しないでください。

#### 修理

製品、バッテリーパック、充電器をミルウォーキー (MILWAUKEE) サービスセンターに返送し、修理を依頼してください。

#### 付属品

警告！推奨された付属品のみを使用してください。その他のアクセサリは危険を伴う可能性があります。

すべてのアクセサリのリストについては、[www.milwaukeeetool.asia](http://www.milwaukeeetool.asia) を参照してください。

#### 記号



製品の使用を開始する前に、指示を注意深くお読みください。



注意！警告！危険！



作業前の調整時や保守・点検時は、本体からバッテリーを取り外してください。



製品を使用する際は、必ずゴーグルを着用してください。



耳栓を使用してください。



適切な防塵マスクを着用してください。



手袋を着用してください。



ファスナーの種類  
直径  
最小/最大長さ



手を近づけないでください。



中身が加圧されています。本製品は開かないでください。重傷を負うおそれがあります。修理の場合は必ず認定サービスセンターに返送してください。

$n_0$  無負荷回転数

V 電圧



直流



自治体の廃棄物に分類されない廃棄電池、電気機器、電子機器は廃棄しないでください。廃棄電池、電気機器、電子機器は、分別して収集する必要があります。廃棄電池、蓄電部、光源は、機器から取り外す必要があります。リサイクル方法や回収場所については、お住いの地域の自治体または販売店にご確認ください。自治体の規定によっては、小売業者は廃棄電池や電気機器、電子機器を無償で持ち帰る義務を有する場合があります。廃棄電池、電気機器、電子機器を再利用・リサイクルすることで、材料の必要性を減らすことができます。廃棄電池(特にリチウムを含む電池)や電気機器、電子機器には、貴重でリサイクル可能な材料が含まれており、環境に配慮した方法で廃棄しない場合、環境や人体の健康に害を及ぼすおそれがあります。廃棄機器に個人情報が入っている場合は、削除してください。



